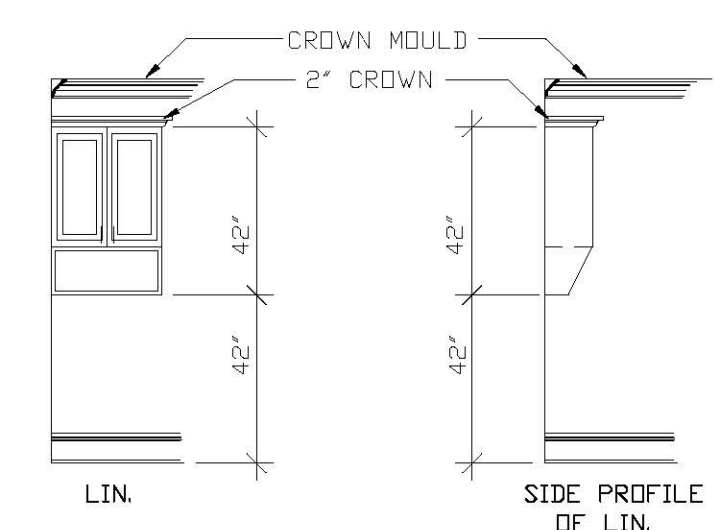
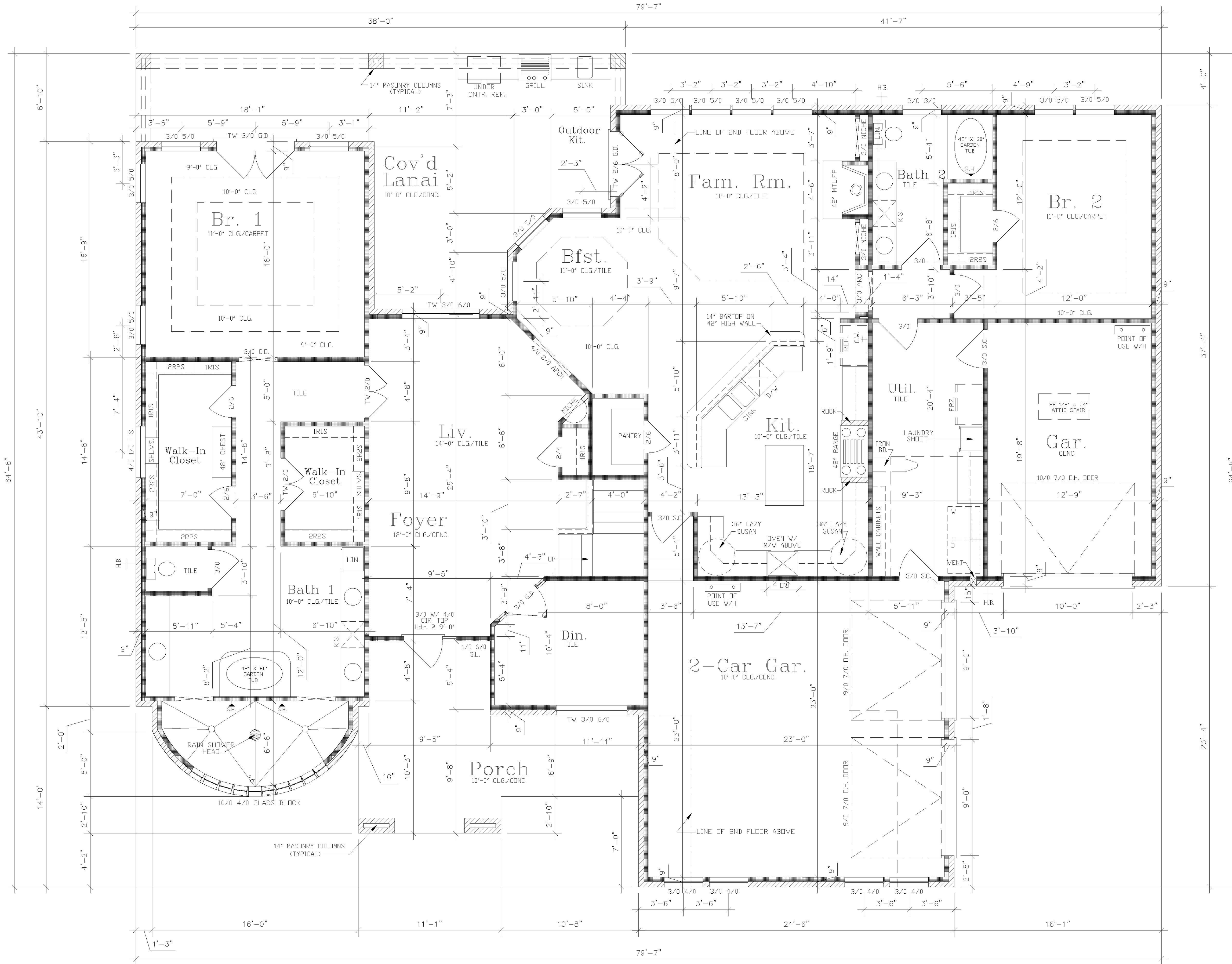
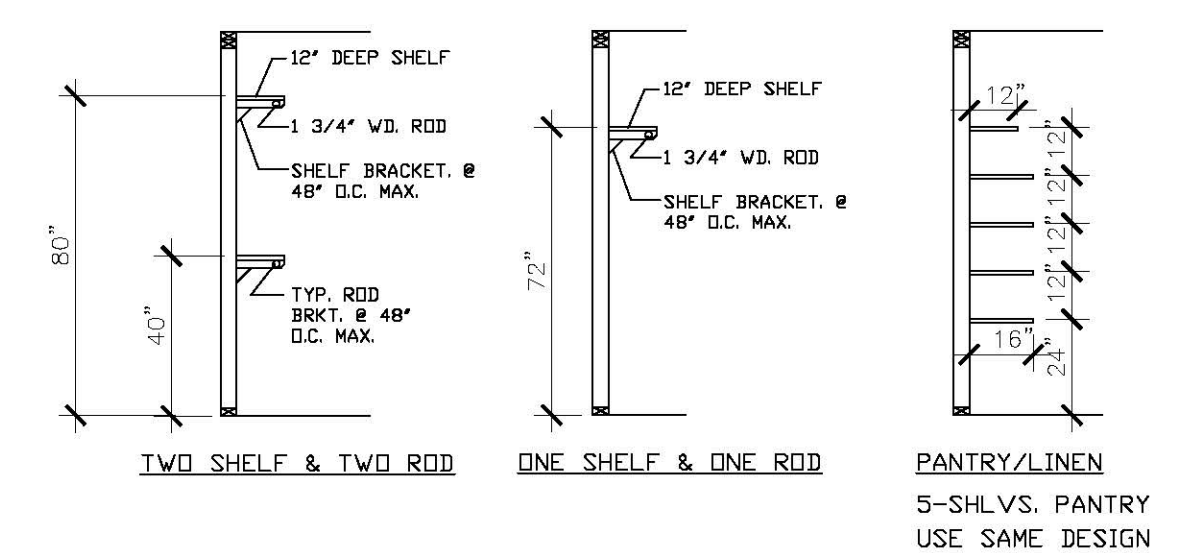


2700 Zephyr Rd. Killeen, Texas 76543
(254) 813-6786 / Fax (254) 890-6546



TOILET CAB. DETAIL
SC 1/4" = 1'-0"



ROD & SHELF DETAIL
SC 1/4" = 1'-0"

FLOOR ONE

SC 1/4" = 1'-0"

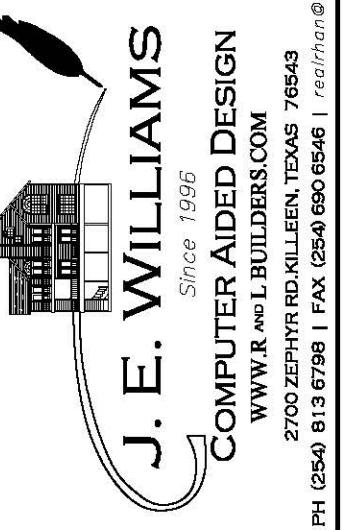
NOTE: 10'-0" CEILING TYPICAL UNLESS NOTED OTHERWISE.
WINDOW HEADERS @ 8'-0" A.F.F. UNLESS NOTED OTHERWISE.
ROUND ALL WALL CORNERS. UNLESS NOTED OTHERWISE.

SFLA FLR ONE	=	2803
SFLA FLR TWO	=	1193
SFLA TOTAL	=	3996
SF RR. PORCH	=	0433
SF FR. PORCH	=	0220
SF GARAGES	=	0866
SF TOTAL SLAB	=	4322

REVISION DATE:

JOB NAME: A RESIDENCE FOR MR. & MRS. J.T. HAUN
BUILDER: OWNER
TYPE WORK: New Construction
ADDRESS: KILLEEN, TEXAS
LEGAL DESCRIPTION: LOT NO. 12 BLOCK NO. 1

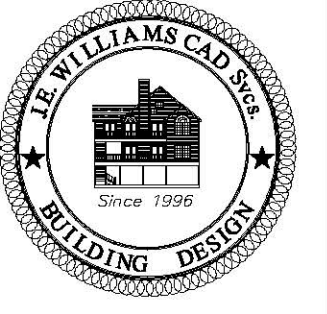
© COPYRIGHT 2015, J.E. WILLIAMS CAD
Reproduction of these plans in all or in part without the express written permission of J.E. Williams, is a violation of Federal Law.



DATE DWN:
07/21/14

SHEET NO.
1 OF 7

DWG#_300-001



2700 Zephyr Rd. Killeen, Texas 76543
(254) 813-6798 / Fax: (254) 690-6546

REVISION DATE:

JOB NAME: JUSTIN'S CUSTOM HOME
BUILDER: J. E. WILLIAMS CONSTRUCTION
TYPE WORK: New Construction
ADDRESS: KILLEEN, TEXAS
LEGAL DESCRIPTION: LOT NO: 12, BLOCK NO: 1

© COPYRIGHT 2015, J.E. WILLIAMS CAD, INC.
Reproduction of these plans in all or in part without the express written permission of J. E. Williams is a violation of Federal Law.

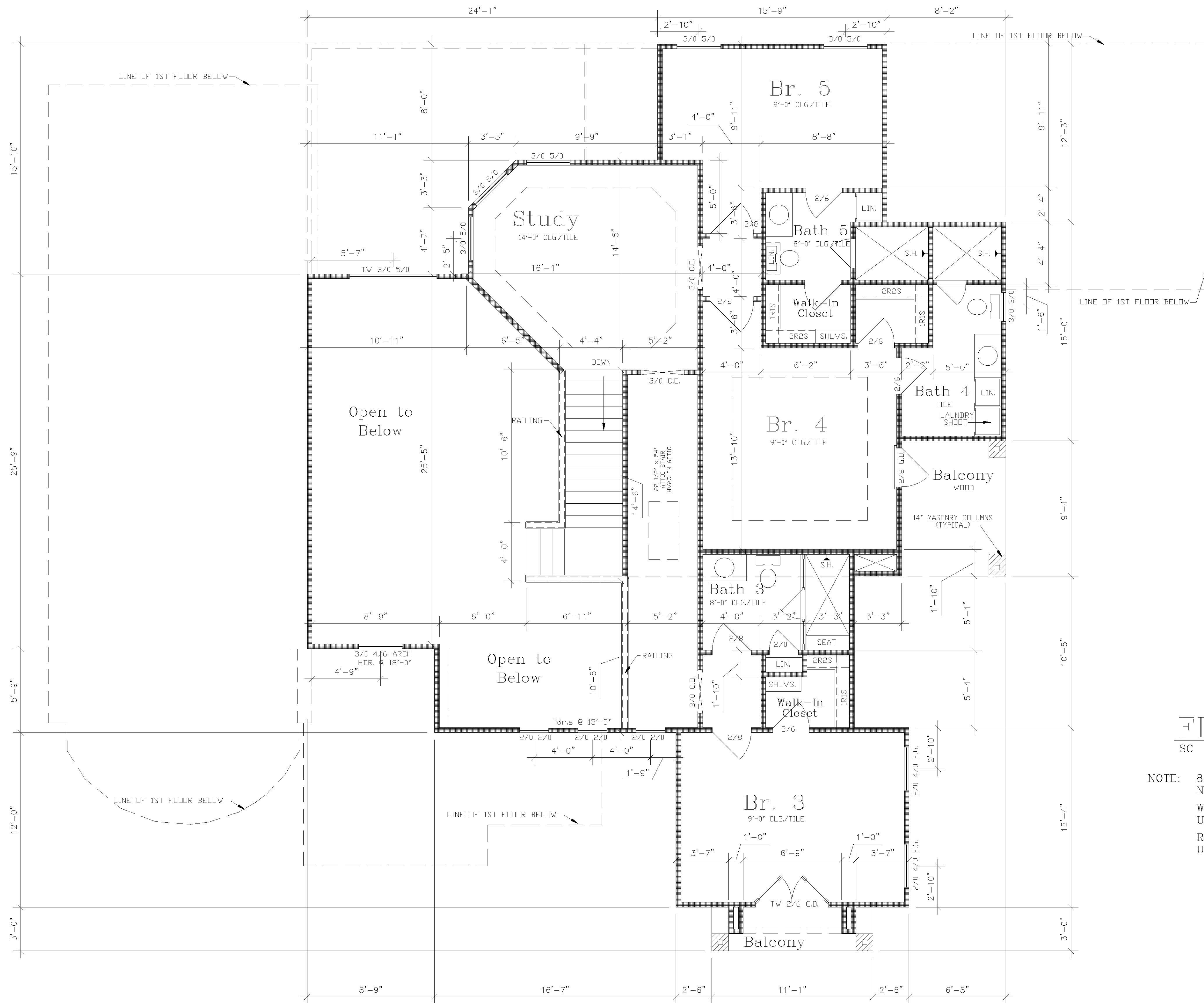


DATE DWN:
07/21/14

SHEET NO.

2 OF 7

DWG#_300-001



FLOOR TWO

SC 1/4" = 1'-0"

NOTE: 8'-0" CEILING TYPICAL UNLESS NOTED OTHERWISE.
WINDOW HEADERS @ 6'-8" A.F.F. UNLESS NOTED OTHERWISE.
ROUND ALL WALL CORNERS. UNLESS NOTED OTHERWISE.