

Kubota

# KUBOTA AC SERIES DIESEL ENGINE



*Looks Like A Gasoline, But  
It's Actually A Diesel*



ISO 9002 Certified KUBOTA ENGINE PLANTS – SAKAI/TSUKUBA/SAKAI-RINKAI –  
Have also received the German DAR certification.



# The Long Awaited Compact Air-Cooled Diesel

Kubota's advanced engineering technology presents a compact, direct-injection type diesel engine. This lightweight diesel's combustion chamber is placed in a cavity on top of the piston to minimize gas leakage, prevent heat loss and improve fuel economy. Direct-injection's unique chamber mixes air and fuel more efficiently, thus, reducing fuel consumption by as much as 20% compared to conventional swirl and precombustion chamber systems. Furthermore, the auto return decompression recoil starter starts the engine up quickly and easily in most any weather conditions. Versatility is another important factor in AC60. A wide range of options ensures extensive fields of usage for pumps, generators, power-tillers, small construction machineries, and etc. Even though the overall size has been cut, this diesel still boasts excellent power and durability worthy of the Kubota name.



## Compact and Lightweight

The popular demand in the small engine market has been for a smaller and lighter diesel engine. AC60, with the standardly equipped single shaft balancer, only weighs 32 kgs. in dry weight. This compact and lightweight diesel is, of course, backed up by Kubota's excellent durability.

## Less Vibration

Kubota's technology ensures less vibration with the standardly equipped single shaft balancer.

## Superior Starting

Thanks to the direct injection and the 'super light' auto return decompression recoil starter, AC60 starts up easily and smoothly even in cold weather conditions.

## Low Fuel Consumption

Reduction of fuel consumption, by as much as 20%, is achieved by the direct-injection combustion system.

## Dependable Kubota Engine

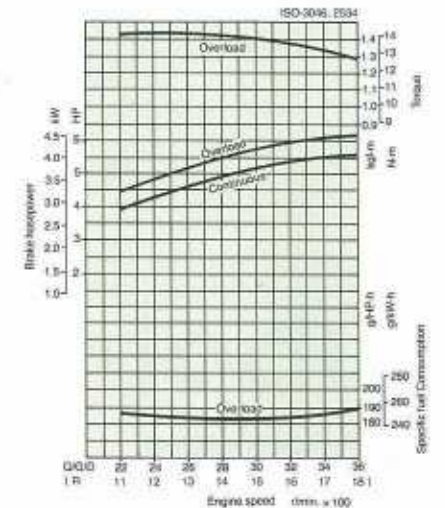
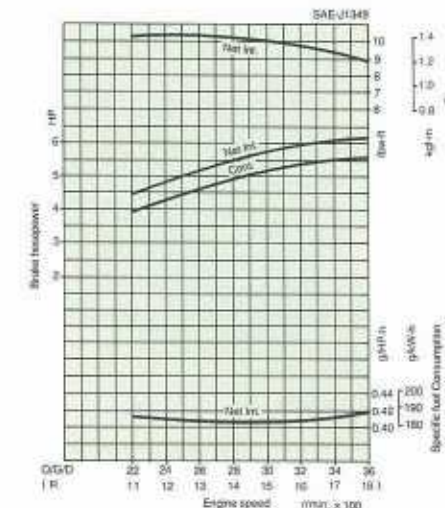
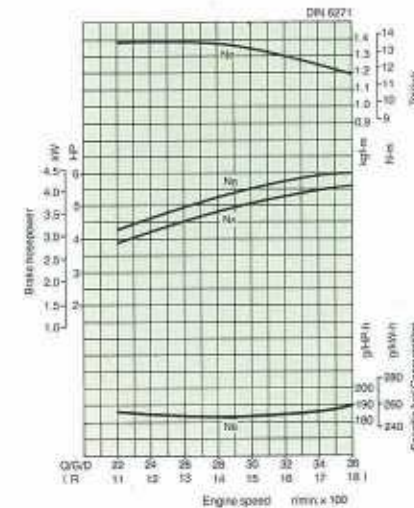
Kubota has produced over 10,000,000 engines. This long experience and Kubota's original engine know-how stands behind AC60.

## Specifications

Model		AC60-Q/G/D	AC60-R	
No. of cylinder		1		
Bore x Stroke (mm)		72 x 68		
Displacement (cc)		276		
Combustion system		Direct injection		
Cooling system		Air-cooled		
Starting system		Recoil starter		
Dry weight (kg)		32		
Fuel tank capacity (ℓ)		3.6		
Brake horsepower	DIN 6271	NA [kW (PS)/rpm]	4.1 (5.6)/3600	4.1 (5.6)/1800
		NB [kW (PS)/rpm]	4.4 (6.0)/3600	4.4 (6.0)/1800
	SAE J1349	Net Int. [kW (HP)/rpm]	4.6 (6.2)/3600	4.6 (6.2)/1800
		Net Cont. [kW (HP)/rpm]	4.2 (5.6)/3600	4.2 (5.6)/1800
	ISO 3046•2534	Overload [kW (HP)/rpm]	4.6 (6.2)/3600	4.6 (6.2)/1800
		Continuous [kW (HP)/rpm]	4.2 (5.6)/3600	4.2 (5.6)/1800

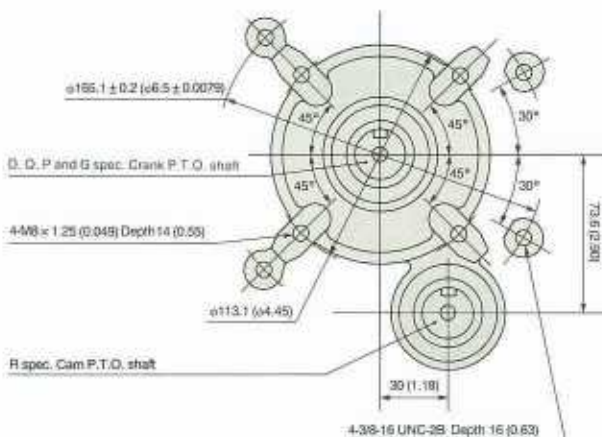
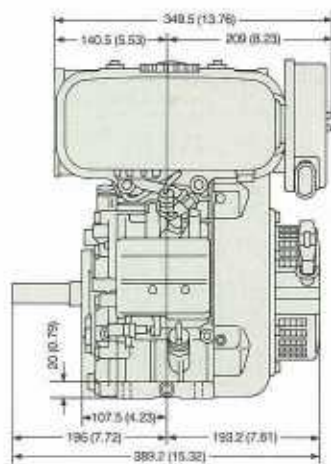
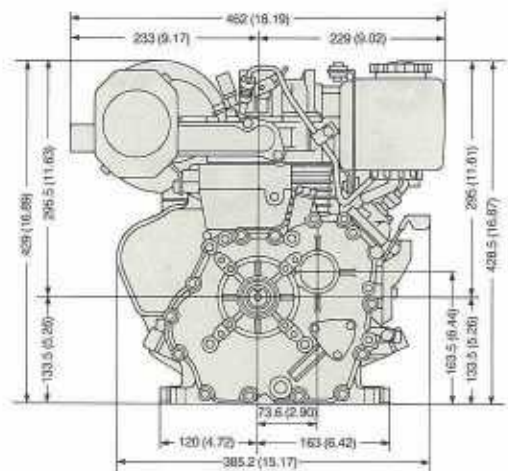
\*Specifications subject to change without notice.  
\*Dry weight is according to Kubota's standard specification. When specification varies, the weight will vary accordingly.

## Performance Curves

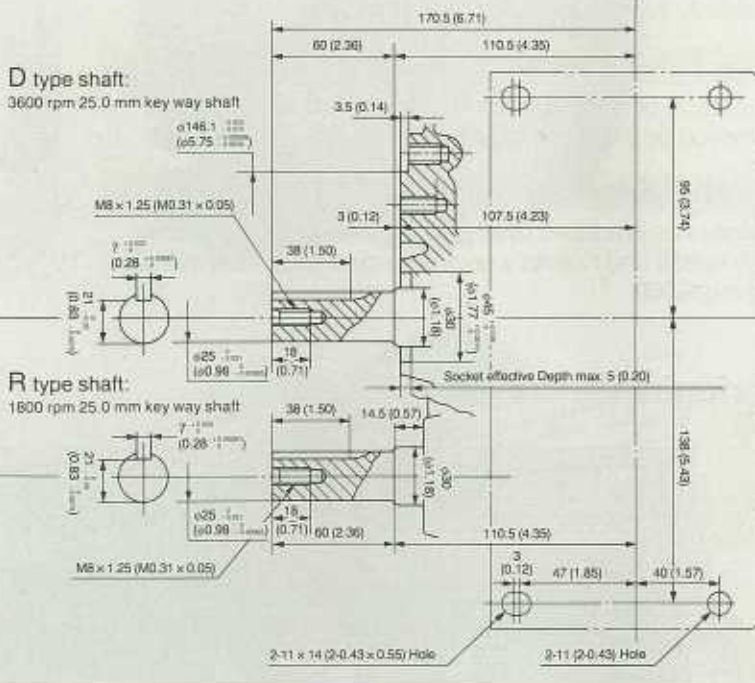
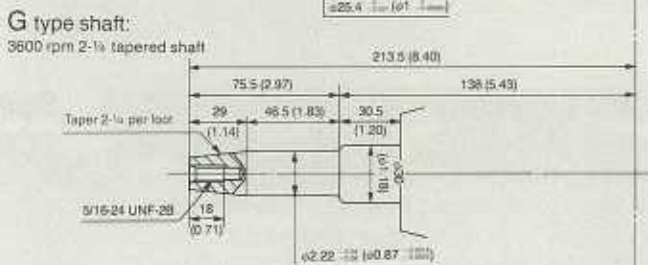
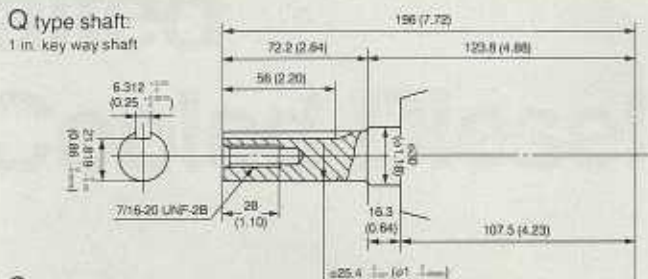




# Dimension [mm (in.)]



## Suppliable P.T.O. shafts. Unit: mm (inch)



## KUBOTA Corporation

2-47, Shikitsuhigashi 1-chome, Naniwa-ku,  
Osaka, 556-8601, Japan  
Fax: 06-6648-3521 Telex: 5267785 KUBOTA J  
<http://www.engine.kubota.ne.jp>

## Kubota Engine America Corporation

505 Scheller Road, Lincolnshire, IL 60069  
Phone: 847-955-2500 Fax: 847-955-2699  
<http://www.kubotaengine.com>

## Kubota Canada Ltd.

Engine Division:  
5900 14th Avenue, Markham, Ontario L3S 4K4, Canada  
Phone: 905-294-7477 Fax: 905-294-6651  
<http://www.dieselnat.com/kubota>

## Kubota (U.K.) Ltd.

Dormer Road, Thame Oxfordshire,  
OX9 3UN United Kingdom  
Phone: 01844-214-500 Fax: 01844-216-685  
<http://www.kubota.co.uk>

## Kubota EUROPE S.A.

Engine Division:  
19-25 rue Jules Vercurusse Z.I., BP 88,  
95101 Argenteuil Cedex France  
Phone: 33-1-3426-3499 Fax: 33-1-3426-3499

## Kubota (Deutschland) GmbH

Engine Division:  
Senefelder Str., 3-5, 63110 Rodgau/Nieder-Roden, Germany  
Phone: (6) 6106-873-0 Fax: (0) 6106-873-199  
<http://www.kubota.de>

## Kubota Tractor Australia Pty Ltd

100 Kellor Park Drive, Tullamarine Vic. 3043  
Freecall: 1800 334 653 Email: [sales@kubota.com.au](mailto:sales@kubota.com.au)  
<http://www.kubota.com.au>