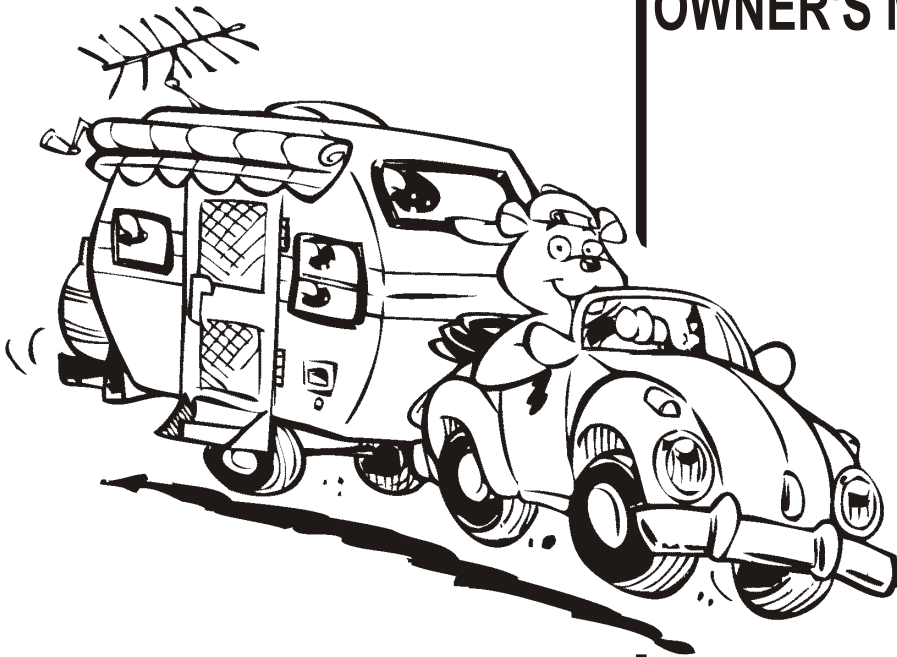


*SUPRA*CLASSIC™



# INSTALLATION INSTRUCTIONS AND OWNER'S MANUAL

**For trailers, Motor homes  
&  
Residences**

## TOOLS REQUIRED

1/4" electric drill  
Ratchet handle kit  
5/16", 3/8" and 7/16" socket  
17/64" drille  
3/8" drill  
No. 1 and No. 2 screwdriver  
Standard screwdriver  
Extension cord  
Step ladder  
Hammer

**READ VERY CAREFULLY THE INSTRUCTIONS BEFORE INSTALLATION. TAKE PRECAUTIONS TO PREVENT INJURIES OR DAMAGES TO YOUR AWNING OR VEHICLE.**

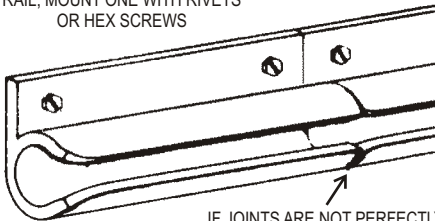
NOTE: All damage caused while installing, is not covered by warranty.

**1**

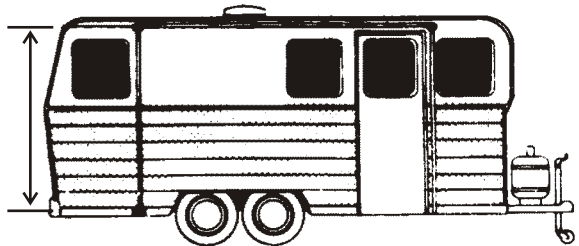
## PREPARATION

- A. Verify if the vehicle is equipped with an awning rail, if not, install one with screws or rivet.
- B. Decide where arms will fit not to interfere with lights, vent, mirrors, etc. Must be in even distance between center of brackets and should extend over the doorway.
- C. Cover any sharp object with padding (rag or paper) and masking tape to avoid scratching holes in awning when threading into awning rail channel. Strengthen and smooth awning rail. Use a screwdriver to spread one end slightly to allow easy insertion. Silicone spray will make insertion easier. Use a smooth file to round off the sharp corners of the rail, or any abrasions.

IF TRAILER HAS NO AWNING RAIL, MOUNT ONE WITH RIVETS OR HEX SCREWS



IF JOINTS ARE NOT PERFECTLY ALIGNED, OPEN NEXT SECTION



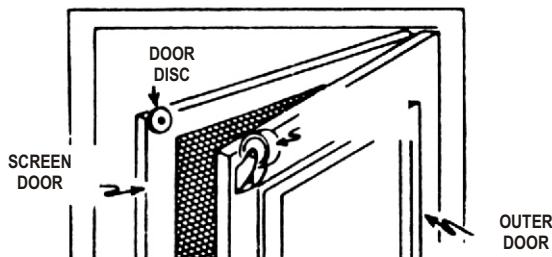
DISTANCE BETWEEN BOTTOM BRACKETS MUST BE THE SAME AS BETWEEN THE TOP BRACKETS, WITHIN 1/2"

**2**

## INSTALLATION OF DOOR ROLLERS

**NOTE: TO AVOID DAMAGE TO AWNING FABRIC, IT IS RECOMMENDED TO MOUNT ROLLERS ON BOTH DOORS BEFORE INSTALLING THE AWNING**

- A. Install the biggest roller on the exterior door with an 12 x 1/2" heagonal screw.
- B. Install the small roller on the screen door with a 6 x 1/2" round head screw.
- C. To file the corners of the doors would be a good precaution.



### 3

## PREPARATION OF THE AWNING

A. Remove the awning from the cardboard tube and the plastic bag.

**NOTE: A very special care should be taken while doing this operation so you won't damage the fabric with the tools you use.**

B. Place the awning on a very clean surface.

C. Take off the arms from the box and insert the plugs in each end of the awning at the superior arms and fix them with the screws No. 8 x 5/8" included. See fig. No 1. and 2



Fig. 1

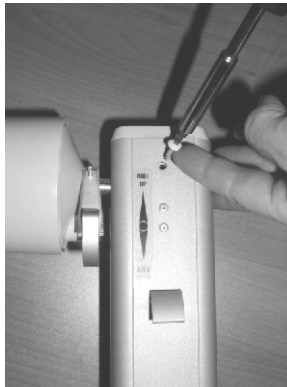


Fig. 2

**NOTE: Tension has been given to the springs depending on the length of the awning at the factory. Do not remove the cotter-pin holding the tension on the left spring or the nylon holder on the right spring, before the awning is installed on the unit.**

**Note:** The terms **left and right** are used when facing the side of the unit where awning is to be installed.

### 4

## TO INSTALL YOUR AWNING

A. Remove the masking tape around the roller.

B. Unroll the fabric one turn around the roller, this is to give you some space between the awning and the unit while inserting the awning in the rail.

C. With some help, lift arms in a vertical position along side the unit.

D. To make the insertion of the awning in the rail easier, adjust the height of the awning by loosening both black knobs. Then adjust the height and retighten the knobs.

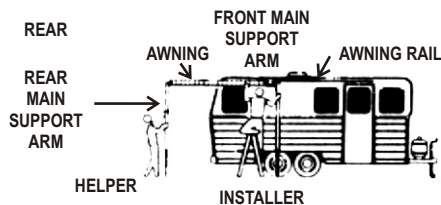


Fig. 3

E. Now, carry the complete awning towards the rear of the unit until the front arm comes in front of the rail end. Slide in slowly the canvas by using a step ladder. After a few feet in, you now can slide in the whole awning. Make sure you keep tension on the canvas to eliminate friction and make the operation easier. See fig. 3

# 5

## TOP BRACKET INSTALLATION

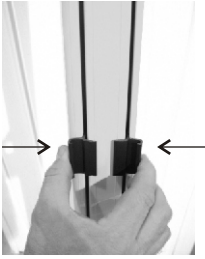


Fig. 4

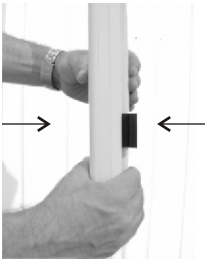


Fig. 6

- A. Bring the right bracket on the awning rail by disengaging it from its # 1 arm. To do so, press both side of travel lock on centre of #1 arm together and disengage #3 arm. (fig. 4). The awning must now rest at the back to permit installation of the top bracket. Mark the top bracket at the right position and fix it on centre holes of top bracket with 1/4 x 2 1/2" lag screw. The awning rail should be drilled with a 1/4" bit before screwing the bracket. Holes are slotted to allow you to make minor adjustment. (fig. 5)
- B. Before installation of left bracket, make sure the top right bracket is aligned with the inside of arm by bringing #1 arm in #3 arm. Press #1 arm with #3 arm facing the black latch to make sure that they are well engaged together (fig. 6). You can now proceed on the side in the same manner.

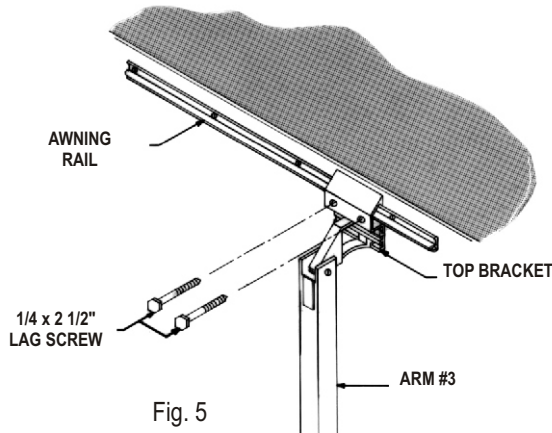


Fig. 5

# 6

## AWNING UNLOCK

**NOTE: A SPECIAL CARE SHOULD BE TAKEN FOR THIS OPERATION**



Fig. 7



Fig. 8



Fig. 9

- A. You can now unlock the awning. Proceed as follows:
- B. Start at the left side (rear) by removing the cotter pin as seen in fig. No. 7. Then on the right side (front) remove the aluminium latch under the engaging lever by pulling out the cotter pin. See fig. No.8.
- C. Then, hold the roller and bring back the lever to the "roll up" position to allow the awning to take its place. See fig. 9.

# 7

## BOTTOM BRACKET INSTALLATION

A. Line the awning vertically with a window or a door. Using the lifting handle behind the arm, adjust the bracket at the height of the unit floor. One side at the time only. The awning will then be leaning on the automatic lock on the top of the arm. **It would be a precaution to have someone hold the arm so it won't fall off the automatic lock while you are adjusting the bottom bracket.** When the desired height is reached make a mark where bracket is to be installed

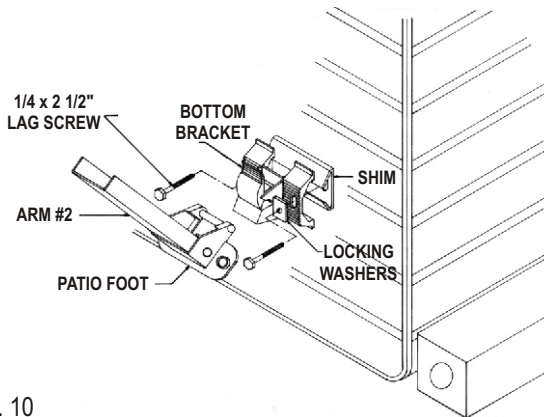


Fig. 10

B. Release the arm from the bracket and then lift the arm upward to make it easier to install the bracket on the unit. Fix your bracket where your marks are with the help of 1/4 x 2 1/2" lag screws and the locking washer included. Make sure your screws are in the middle of the slots in case you need a slight adjustment.

**NOTE: If the bottom of the unit is straight and without moulding the shims included are recommended. See fig. No. 10**

C. Use the same procedure for the other side.

# 8

## INSTALLATION OF THE STOPPER

This step is very important to operate the awning securely and easily.

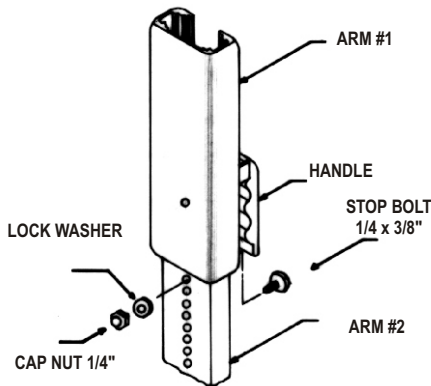


Fig. 12

A. Mark the hole in #2 arm situated under #1 arm with a pencil (fig. No. 11). Detach #2 arm from bottom bracket (fig. No. 12) and using the lever on #1 arm draw out #2 arm by 2 holes to insert the 1/4 x 3/8" stop bolt included (fig. No. 13). This will disengage the top of the arm from the top bracket allowing the awning to operate freely.

B. Proceed on the opposite side in the same manner.



Fig. 11

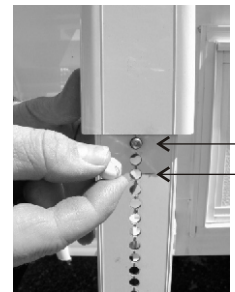
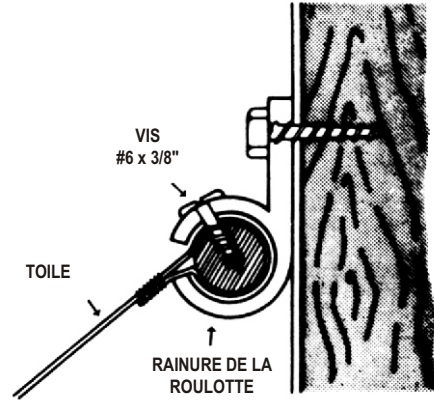


Fig. 13

## SETTING THE CANVAS

- A. Unroll the awning a few times to make sure it runs smoothly. You might have to move the canvas either way for a better operation.
- B. Once the awning runs free, leave it open and drill a  $3/32$ " hole in the rail at about 2" from the edge of the canvas and then screw in the canvas and the nylon cord into the rail with the #6 x  $3/8$ " round head screw supplied. This will secure the canvas in the rail when functioning.
- C. If the arms do not work firmly, adjust the upper bracket.



## TO OPEN AWNING (see fig.No. 24)

- A. Loosen the 2 black knobs at the back of arm (fig. No. 14)
- B. Using the metal pull strap pole, put the small lever located on the right spring to the "unlock" position (fig. No. 15).
- C. Insert the metal pull strap pole in the loop of pull strap in the centre of the awning and unroll awning of about 4" (fig. No. 16).
- D. Disengage both arms by pushing the 2 black latches towards the centre (fig. No.4).  
Following this operation, both arms should disengage.



Fig. 14



Fig. 16

**NOTE:**To prevent damage to fabric, make sure that the rollers have been installed on top of the doors before continuing to open the awning

- E. Reinsert the metal pull strap in the loop of pull strap and open the awning completely (fig. No. 17).
- F. Slide #4 arms upwards until it locks on the holding spring near the top plug. (fig. No. 18).
- G. Give tension to the fabric by pulling #3 and #4 arms and tighten black knob (fig. No. 19).
- H. In turn, trigger the handle under both arms and push arms vertically to raise the front of the awning until the doors open freely. To lock the awning at the height wanted, let go of the handle while keeping a firm grasp on #1 arm and let go slowly the handle while bringing down the #1 arm until it automatically locks itself.



Fig. 15



Fig. 17

## CLOSING THE AWNING (see fig. 24)

- A. In turn, lower the 2 arms to the stopper bolt making sure to firmly hold arm when triggering off handle on #1 arm. Handle will lock automatically when released. (fig. 21).
- B. Slack the 2 black knobs, pull on the holding spring on the arm and slide #4 arm to its place near the #1 arm handle. (fig. 22).
- C. Hold the pull strap and bring the lever of the right spring to the "lock" position. Awning will automatically roll up. At a certain point during closing, it may be necessary to use the metal pull strap to obtain complete closure of the awning (fig. 23).
- D. Where the travel lock is located, make sure both arms are well engaged together by putting pressure with both hands (fig. 6)
- E. Tighten the 2 black holding knobs. (fig. 14).

NOTE: Leave the locking handle in "Lock" position to travel (fig. 23)

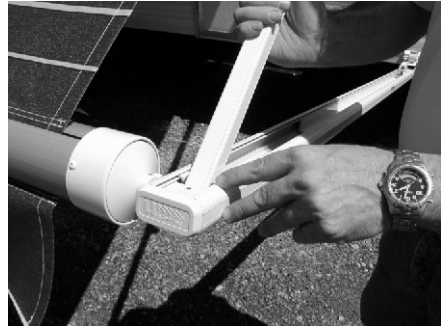


Fig. 18



Fig. 21



Fig. 19



Fig. 22



Fig. 23

## "PATIO" POSITION

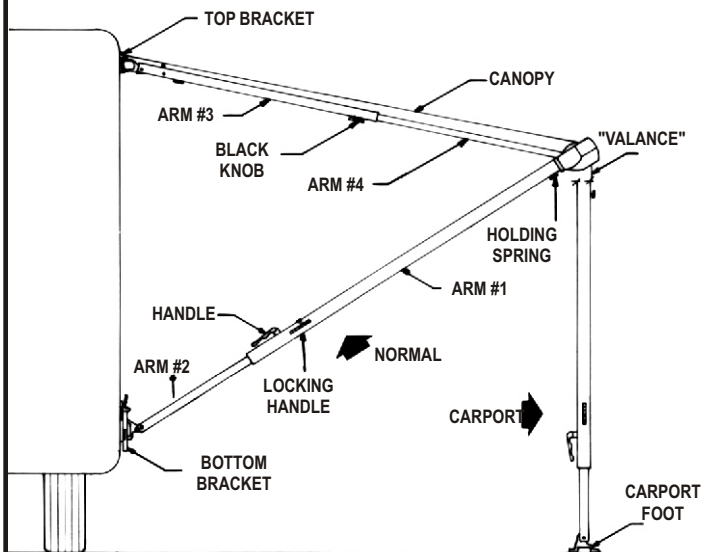


Fig. 24

- A. Open awning in the usual method.
- B. Unlock the arms from the bottom brackets.
- C. Lift lightly section No1 and bring forward to a vertical position.
- D. Adjust the height and lock in place.
- E. Fix the foot with the help of nails or screws.
- F. It might be necessary to give more tension to the fabric.

### DISMOUNT

- A. Take off the nails or the screw.
- B. Lower the arms on the stoppers.
- C. Hold firmly No1 section of the arm, lift it lightly and bring it into bracket.
- D. Be sure that the foot is well in place in the bottom bracket, and supporting the arm.
- E. Close the awning as explain before.

## IMPORTANT NOTICE

### IN CASE OF VIOLENT WINDS

As the wind may have a good hold on a surface as vast as your awning it is STRONGLY recommended to keep it completely rolled up during the periods of violent winds.

### AWNING USE IN RAIN

Lower the rear arm and raise the front arm to place awning on a tilt, (larger awnings require more tilt). Be sure to tilt awning enough to drain off water before it accumulates. IF THE AWNING CANNOT BE TILTED ENOUGH TO PREVENT A WATER POCKET FROM FORMING, ROLL THE AWNING UP. **DAMAGE TO AWNING CAUSED BY WATER POOLING IS NOT COVERED BY WARRANTY.**

### MAINTENANCE

Use a quality vinyl cleaner and once or twice a year depending on sun exposure, apply a protective wax for vinyl. This will make cleaning easier and will extend the life of your awning. These products are available at Unicanvas through the dealer nearest you.

**NOTE: DO NOT USE CAUSTIC CLEANERS, MILDEW REMOVERS, OR METAL CLEANERS ON FABRIC AS THEY CAN DESTROY AWNING COLORS.**