

SPAREPARTSCATALOG

ENGINE

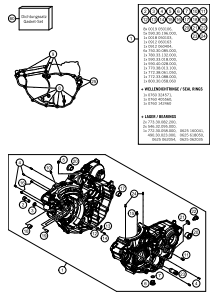
ART.-NR.: 3CM089394PEN

FE 350 2016



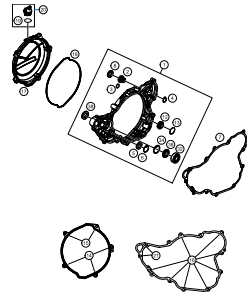
Husqvarna®
MOTORCYCLES

ENGINE CASE



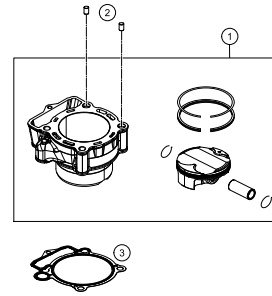
3

CLUTCH COVER



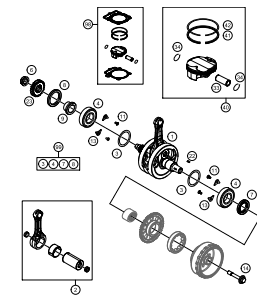
4

CYLINDER



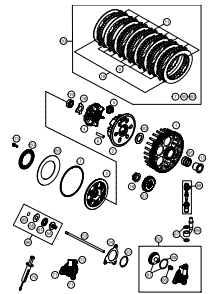
5

CRANKSHAFT, PISTON



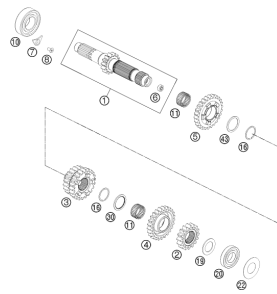
6

CLUTCH



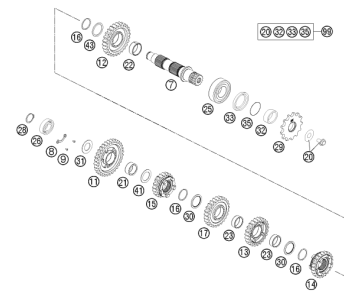
7

TRANSMISSION I - MAIN SHAFT



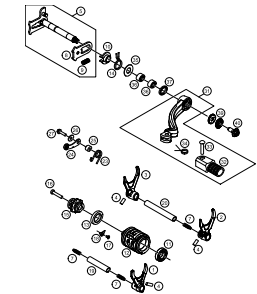
9

TRANSMISSION II - COUNTERSHAFT



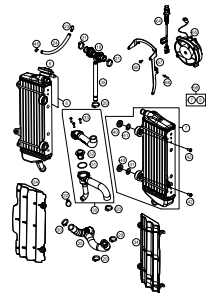
10

SHIFTING MECHANISM



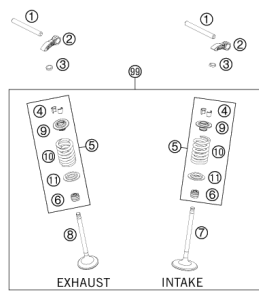
11

COOLING SYSTEM



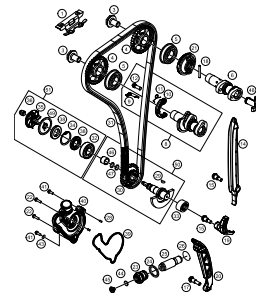
12

VALVE DRIVE



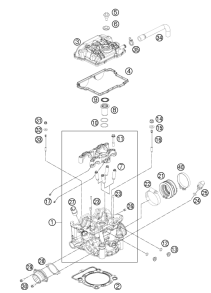
13

TIMING DRIVE



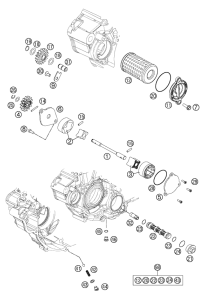
14

CYLINDER HEAD



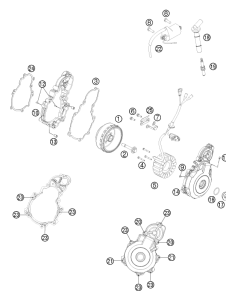
16

LUBRICATING SYSTEM



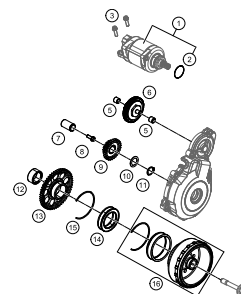
17

IGNITION SYSTEM



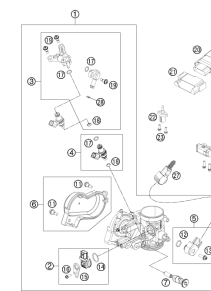
18

ELECTRIC STARTER



19

THROTTLE BODY

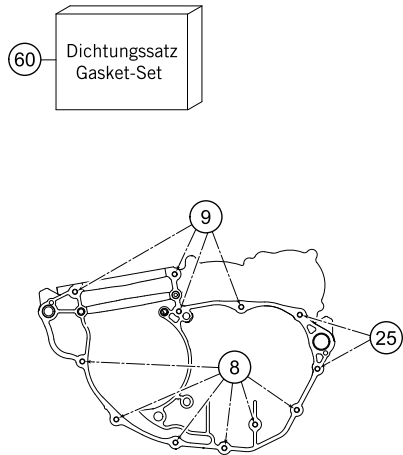


20

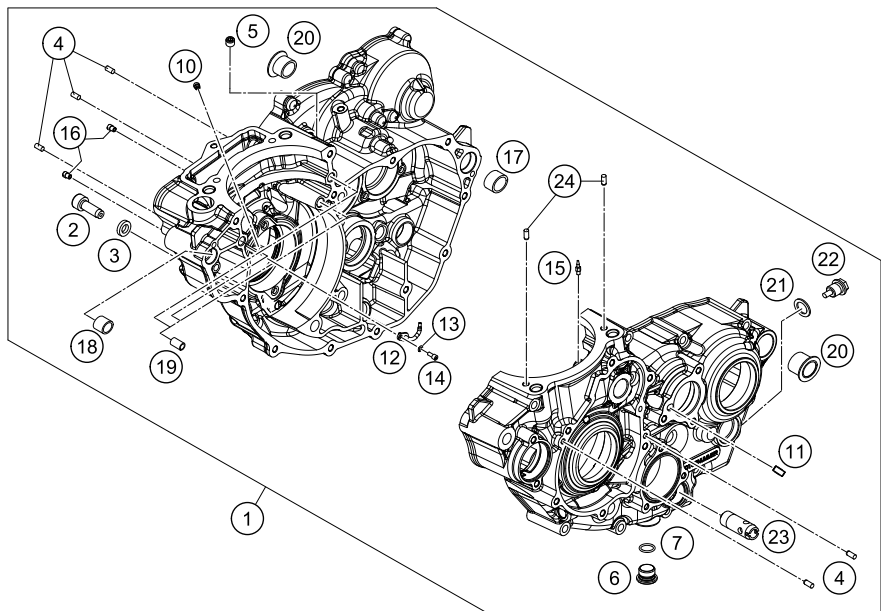


All information contained is without obligation. HUSQVARNA MOTORCYCLES GmbH particularly reserves the right to modify any equipment, technical specifications, prices, colors, shapes, materials, services, service work, constructions, equipment and the like so as to adapt them to local conditions or to cancel any of the above items, all without previous announcement and without giving reasons. KTM may stop manufacturing certain models without previous notice. HUSQVARNA MOTORCYCLES shall not be held liable for any deviations of availability and/or ability to deliver, illustrations, descriptions, printing and/or other errors. The illustrated models partly contain extra equipment, which is not applied to standard models.

© by HUSQVARNA MOTORCYCLES GmbH, Mattighofen AUSTRIA; All rights reserved; Reprint, also in extracts, with written allowance of HUSQVARNA MOTORCYCLES GmbH, Mattighofen only.



- | | | | | | | | |
|----|----|----|----|----|----|----|----|
| 2 | 3 | 4 | 5 | 6 | 7 | 10 | 11 |
| 12 | 13 | 14 | 15 | 16 | 17 | 18 | 19 |
| | | | | 20 | 21 | 22 | |
| | | | | 23 | 24 | | |
- 8x 0019 050106,
5x 590.30.196.000,
1x 0018 050103,
1x 0912 060163
1x 0912 060404,
6x 750.30.085.000,
1x 780.33.132.000,
1x 590.33.018.000,
1x 590.40.028.000,
1x 770.38.013.100,
1x 772.38.061.050,
1x 772.33.088.000,
1x 800.30.058.060
- + WELLENDICHRINGE / SEAL RINGS**
1x 0760 324571,
1x 0760 405560,
1x 0760 142460
- + LAGER / BEARINGS**
2x 773.30.082.200,
2x 546.32.095.000,
1x 772.30.058.000, 0625 160041,
490.30.023.000, 0625 618050,
0625 062054, 0625 062035

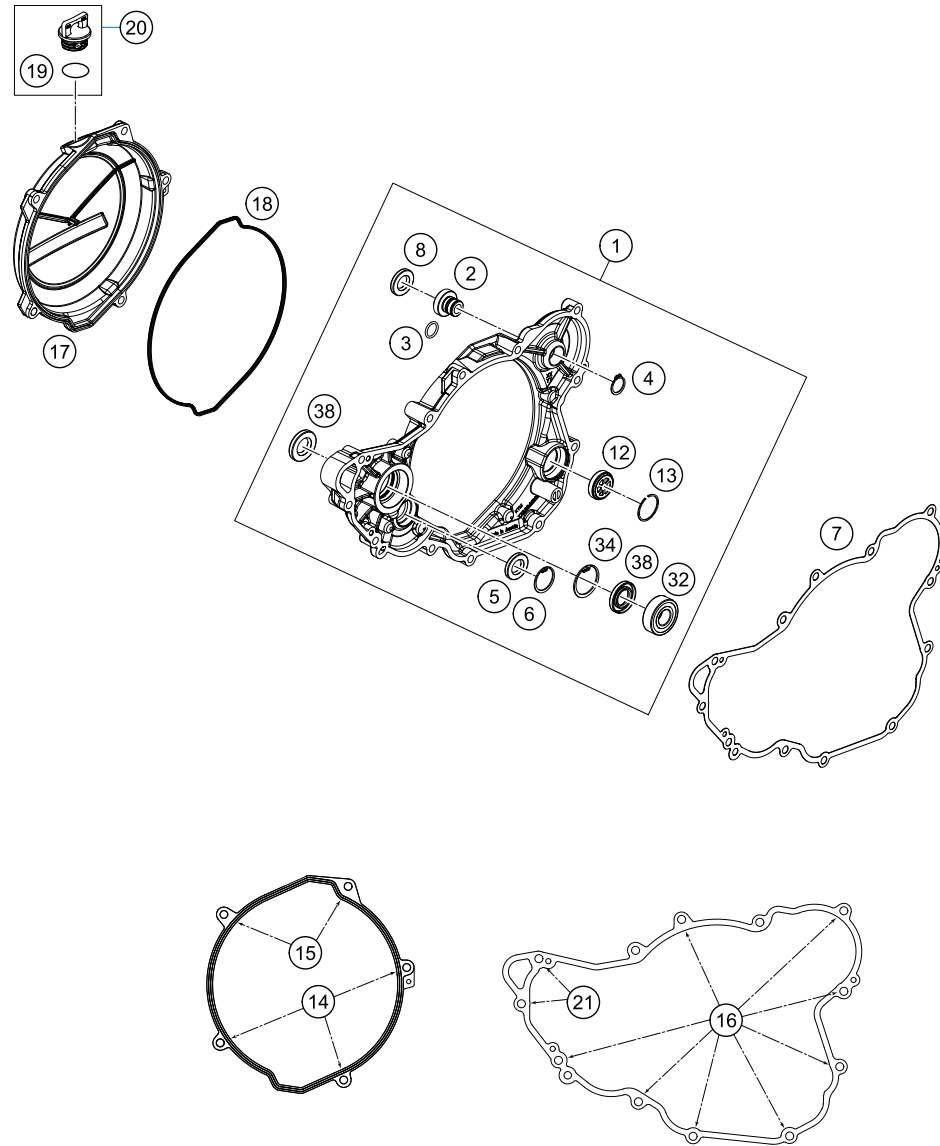


167753010

| POS | PARTNUMBER | PARTNAME | PIECE |
|-----|-------------|--------------------------------|-------|
| 1* | 77730000244 | ENGINE CASE CPL. 350 | 1 |
| 2 | 58030080000 | LOCATING SCREW M8 L=23 | 1 |
| 3 | 58030081000 | CU-SEAL RING 8 X 14 X 3 | 1 |
| 4 | 0402040980 | NEEDLE ROL.DIN5402 NRB 4X9,8 | 5 |
| 5 | 0906100100 | PLUG DIN0906-M10X1 | 1 |
| 6 | 78036081000 | HOLDING BOLT M14X1,5 | 1 |
| 7 | 0770110015 | O-RING 1,5x11 SILICON | 1 |
| 8 | 0025060556 | HH COLLAR SCREW M6X55 TX30 | 6 |
| 9 | 0025060656 | HH COLLAR SCREW M6X65 TX30 | 4 |
| 10 | 80030058060 | OIL JET "60" M4 | 1 |
| 11 | 77230066000 | THROTTLE M5X10X0,5 | 1 |
| 12 | 77830064050 | OIL JET CURVED " 50 " | 1 |
| 13 | 0770035020 | O-RING 3,5X2,00 NBR | 1 |
| 14 | 0912040103 | AH.SCREW DIN0912-M 4X10 | 1 |
| 15 | 60030063050 | OIL JET 50 05 | 1 |
| 16 | 59030058000 | JET 100 BING(44-031/180) M4 | 2 |
| 17 | 59030024000 | DOWEL 17 X 19 X 12 | 1 |
| 18 | 54630027000 | DOWEL BUSHING 13,8X11X12 | 1 |
| 19 | 59030023000 | DOWEL 6X8X11,5 | 3 |
| 20 | 75030010100 | CASE BUSH | 2 |
| 21 | 58038022000 | CU-SEAL RING DIN7603-12X18X1,5 | 1 |
| 22 | 58030021000 | OILDRAIN PLUG W.MAG. M 12X1,5 | 1 |
| 23 | 77038022000 | OIL INTAKEPIPE | 1 |
| 24 | 0402050080 | CYLINDER ROLLER ZRO 5X8 | 2 |
| 25 | 0025060856 | HH COLLAR SCREW M6X85 TX30 | 2 |
| 60 | 77830099000 | GASKET SET 350 SX-F | 1 |

C167753010

* NEW PART X ON DEMAND



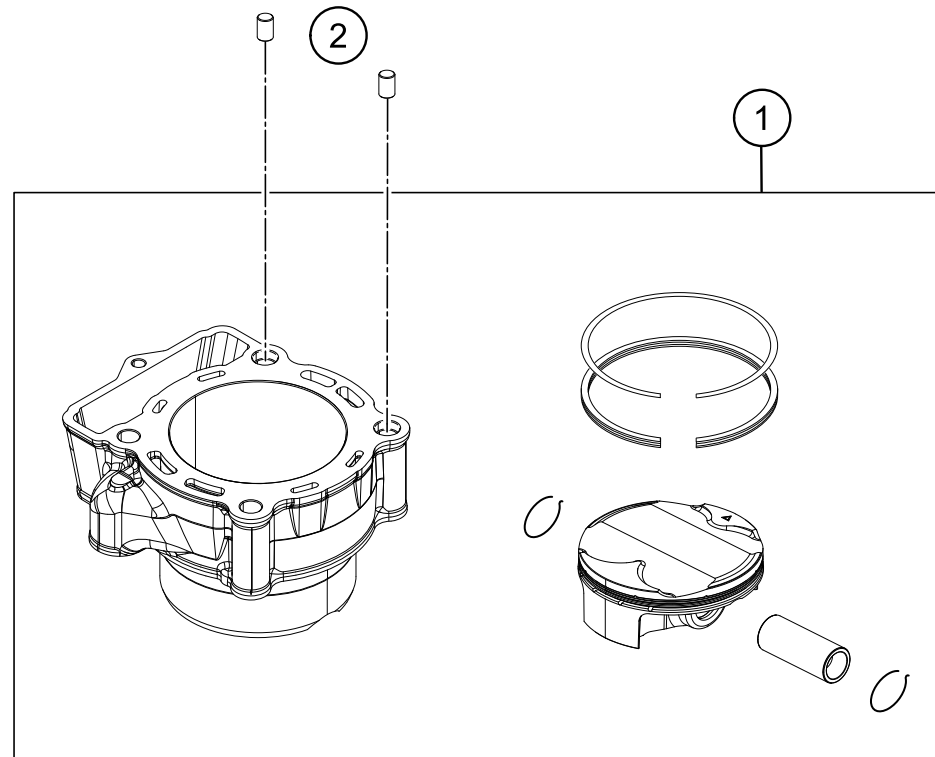
| POS | PARTNUMBER | PARTNAME | PIECE |
|-----|---------------|--------------------------------|-------|
| 1 | 77230001144 | CLUTCH COVER CPL. | 1 |
| 2 | 77230001010 | PLUG STARTING LEVER | 1 |
| 3 | 0770140200 | O-RING 14,00X2,00 | 1 |
| 4 | 0471170010 | CIRCLIP DIN0471-17X1 | 1 |
| 5 | 0760142450 | SHAFT SEAL RING 14X24X5 VITON | 1 |
| 6 | 0472024120 | CIRCLIP DIN0472-24X1.2 | 1 |
| 7 | 77230025000 | CLUTCH COVER GASKET | 1 |
| 8 | 0760172870 | SHAFT SEAL RING 17X28X7 B | 1 |
| 12 | 59030019200 | OIL SIGHT GLASS | 1 |
| 13 | 61030019050 | CIRCLIP OIL LEVEL GLASS 03 | 1 |
| 14 | 0025060206 | HH COLLAR SCREW M6X20 TX30 | 3 |
| 15 | 0025060456 | HH COLLAR SCREW M6X45 TX30 | 2 |
| 16 | 0025060256 | HH COLLAR SCREW M6X25 TX30 | 8 |
| 17 | 77230626000KA | OUTER CLUTCH COVER "HQV" | 1 |
| 18 | 77230027000 | GASKET FOR OUTER CLUTCH COVER | 1 |
| 19 | 0770191015 | O-RING 19,00X3,00 NBR | 1 |
| 20 | 58030120000 | OIL FILLER CAP M24x3 WITH O-R | 1 |
| 21 | 0025060406 | HH COLLAR SCREW M6X40 TX30 | 2 |
| 32 | 0625062022 | BALL BEARING 6202 C0 2 | 1 |
| 34 | 0472300120 | CIRCLIP 30X1,2 | 1 |
| 38 | 07601530451 | SHAFT SEAL RING 15X30X4.5 BAUD | 2 |

147753020

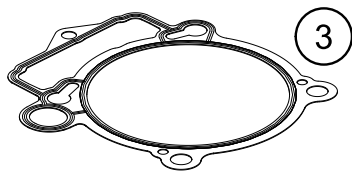
C168133020

* NEW PART

X ON DEMAND



| POS | PARTNUMBER | PARTNAME | PIECE |
|-----|-------------|----------------------------|-------|
| 1 | 77230138200 | CYLINDER + PISTON | 1 |
| 2 | 58530014100 | DOWEL BUSHING 10,2X12,5X10 | 2 |
| 3 | 77230035000 | CYLINDER BASE GASKET | 1 |

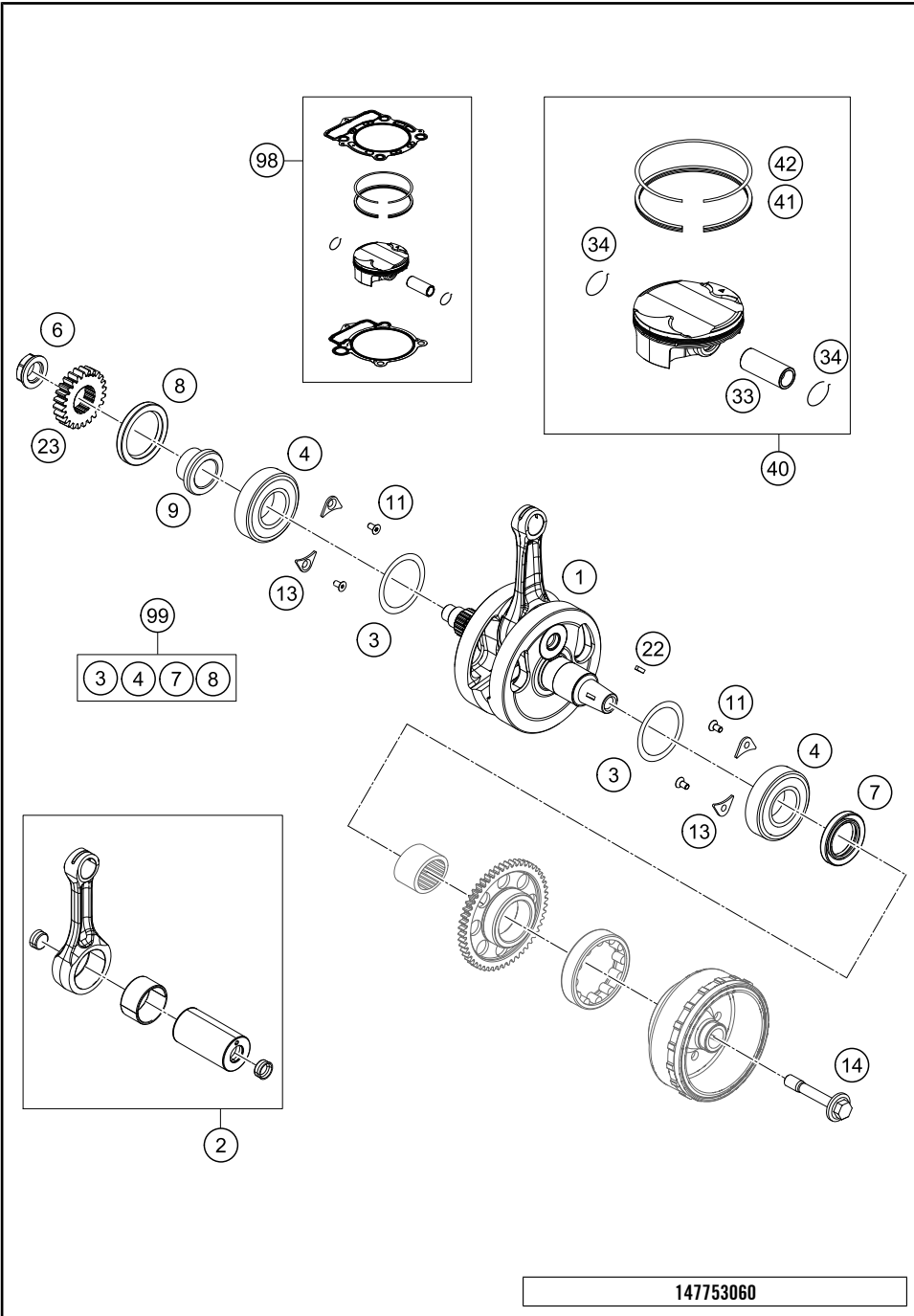


147753040

C148133040

* NEW PART

X ON DEMAND



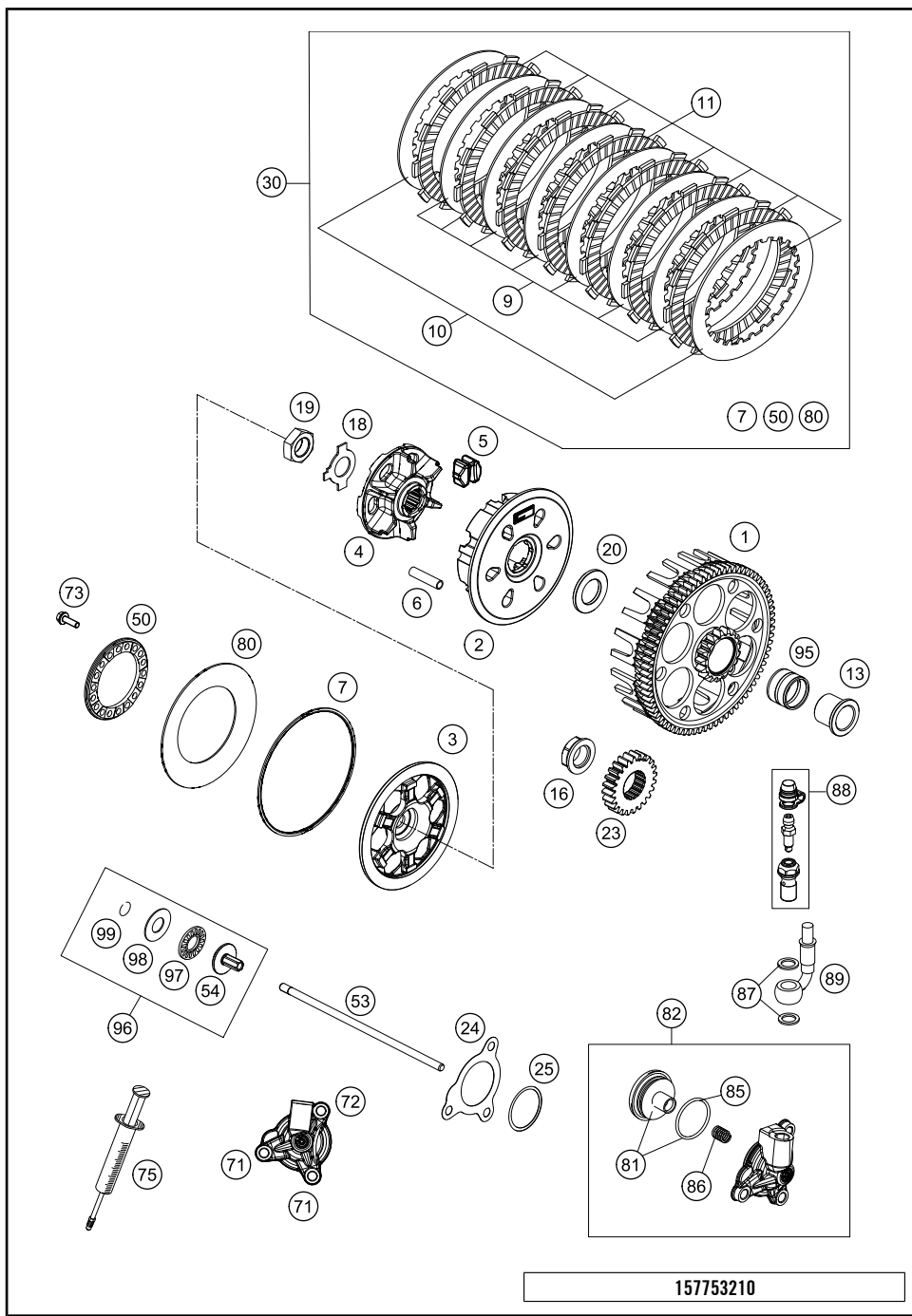
| POS | PARTNUMBER | PARTNAME | PIECE |
|-----|----------------|--------------------------------|-------|
| 1 | 77530018200 | CRANKSHAFT CPL. | 1 |
| 2 | 77830015044 | CONNECTING ROD REPAIR SET | 1 |
| 3 | 0988324510 | THRUST WASHER 988ST 32X0,1 | x |
| 3 | 0988324515 | THRUST WASHER 988ST 32X0,15 | x |
| 3 | 0988324530 | THRUST WASHER 988ST 32X0,30 | x |
| 4 | 77330082200 | BEARING NJ 206 ECP/HN3C4HVA624 | 2 |
| 6 | 77230029000 | NUT PRIMARY WHEEL | 1 |
| 7 | 0760304772 | SH.SEAL RING 30X47X7 BSL VITON | 1 |
| 8 | 0760405560 | SHAFT SEAL RING A40x55x6 VITON | 1 |
| 9 | 77232022000 | SPACER BUSHING PRIMARY GEAR | 1 |
| 11 | 0019050106S | INT. TORX FLAT HEAD M5X10 10.9 | 4 |
| 13 | 75030085000 | RETAINING PLATE F. CS BEARING | 4 |
| 14 | 77339010100 | FLYWHEEL SCREW | 1 |
| 22 | 0888030037 | WOODRUFF KEY DIN6888-3X3,7 | 1 |
| 23 | 77232023024 | PRIMARY GEAR 24T. | 1 |
| 33 | 77230133000 | PISTON PIN 350 | 1 |
| 34 | 77230174000 | CIRCLIP | 2 |
| 40 | 77530107100 I | PISTON I CPL. 350 | x |
| 40 | 77530107100 II | PISTON II CPL. 350 | x |
| 41 | 77230032100 | SCRAPER RING 350 | 1 |
| 42 | 77230030000 | COMPRESSIONRING 350 | 1 |
| 98 | 77530007010 I | PISTON KIT GR. I 350 EXC-F 14 | x |
| 98 | 77530007010 II | PISTON KIT GR. II 350 EXC-F 14 | x |
| 99 | 00050002311 | CRANKSHAFT REP. KIT SX-F 13-15 | x |

147753060

C148133061

* NEW PART

X ON DEMAND



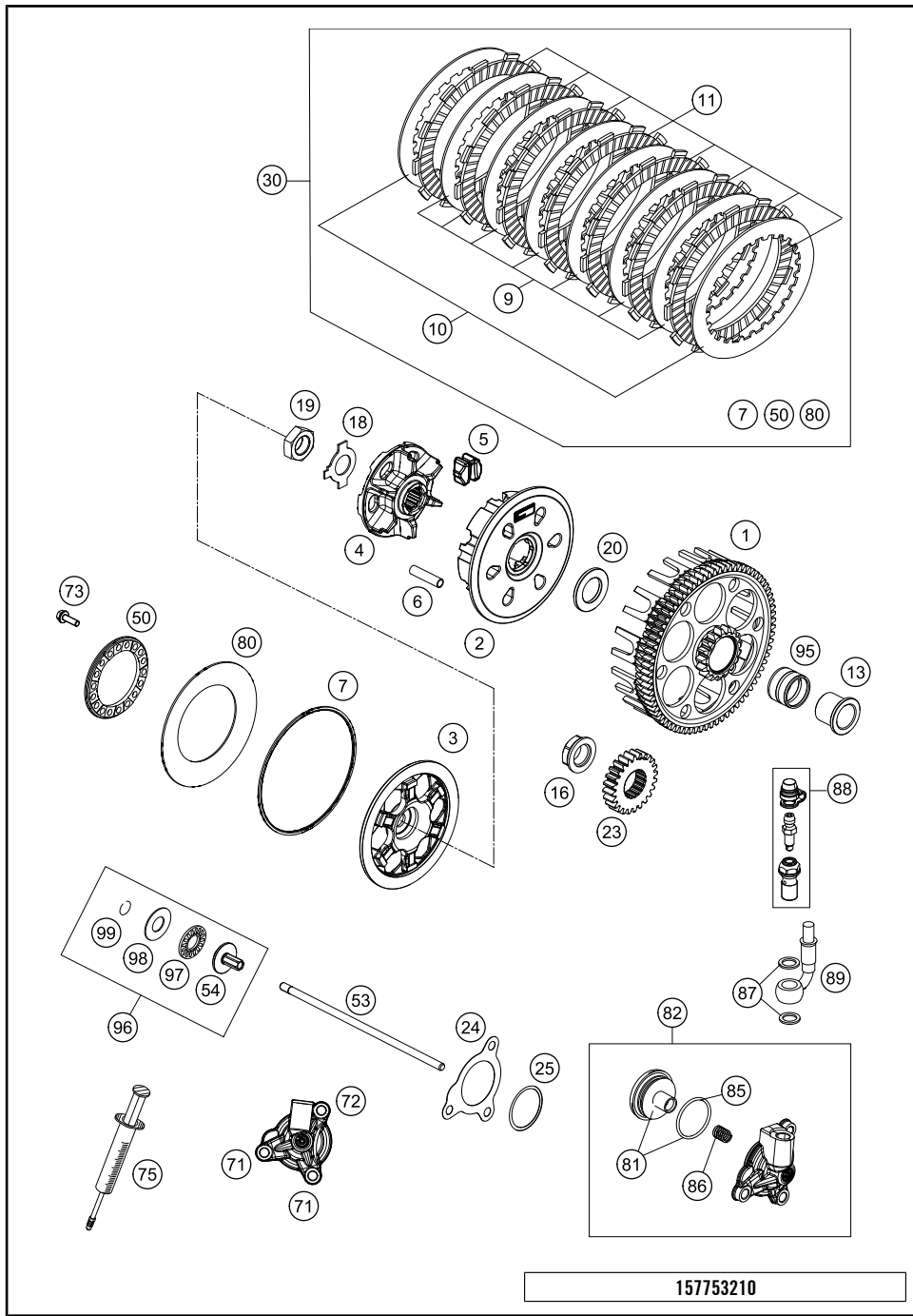
157753210

| POS | PARTNUMBER | PARTNAME | PIECE |
|-----|-------------|--------------------------------|-------|
| 1 | 77232001173 | OUTER CLUTCH HUB | 1 |
| 2 | 78132002200 | INNER CLUTCH HUB 450SX-F 2014 | 1 |
| 3 | 78132003100 | CLUTCH PRESSURE CAP | 1 |
| 4 | 78132002111 | HUB | 1 |
| 5 | 78132025100 | DAMPING RUBBER | 6 |
| 6 | 78132004000 | SLEEVE 7,5X33.4 | 6 |
| 7 | 78132013000 | WASHER 112X118X1.5 | 1 |
| 9 | 59032010200 | INTERMEDIATE DISC 1,4MM 2002 | 7 |
| 10 | 59032010100 | INTERMEDIATE DISC 1MM 2002 | 2 |
| 11 | 59032011100 | LINING DISC 2MM 04 | 8 |
| 13 | 77232015000 | INNER RING | 1 |
| 16 | 77230029000 | NUT PRIMARY WHEEL | 1 |
| 18 | 56532018000 | LOCK WASHER | 1 |
| 19 | 0936181505 | HEXAGON NUT DIN0936-M18X1,5 R. | 1 |
| 20 | 77232009000 | WASHER 21,8 X 37 X 5,1 | 1 |
| 23 | 77232023024 | PRIMARY GEAR 24T. | 1 |
| 24 | 77232062000 | GASKET F. OUTPUT CYLINDER | 1 |
| 25 | 0770300015 | O-RING 30,00X1,50 NBR 70 | 1 |
| 30 | 78132010110 | CLUTCH KIT 350 EXC-F 12-15 | 1 |
| 50 | 78132006100 | SPRING RING | 1 |
| 53 | 77232054000 | PUSH ROD | 1 |
| 54 | 78032057000 | PRESSURE PIECE | 1 |
| 71 | 0025060166 | HH COLLAR SCREW M6X16 TX30 | 2 |
| 72 | 0025060356 | HH COLLAR SCREW M6X35 TX30 | 1 |
| 73 | 0025050166 | HH COLLAR SCREW M5X16 TX30 | 6 |
| 75 | 50329050000 | VENT INJEKTION HYDR. CLUTCH | 1 |
| 80 | 78132005000 | BELLEVILLE SPRING 71X115X1,5 I | 1 |
| 81 | 77232066000 | PISTON CPL. | 1 |
| 82 | 77232061044 | OUTPUT CYLINDER CPL. | 1 |
| 85 | 54832067000 | O-RING | 1 |
| 86 | 54832069000 | PRESSURE SPRING | 1 |
| 87 | 42013226000 | CU-SEAL RING DIN7603-10X16X1 | 2 |
| 88 | 62513020000 | BLEEDER SCREW CPL. 05 | 1 |
| 89 | 54832063000 | CLUTCH PIPE 06 | 1 |
| 95 | 56532095000 | NEEDLE BEARING K26X30X22ZW.KSE | 1 |
| 96 | 78032057044 | PRESSURE PIECE CPL. 08 | 1 |
| 97 | 54637097200 | AXIAL NEEDLE BEARING AXK 1226 | 1 |

C168133210

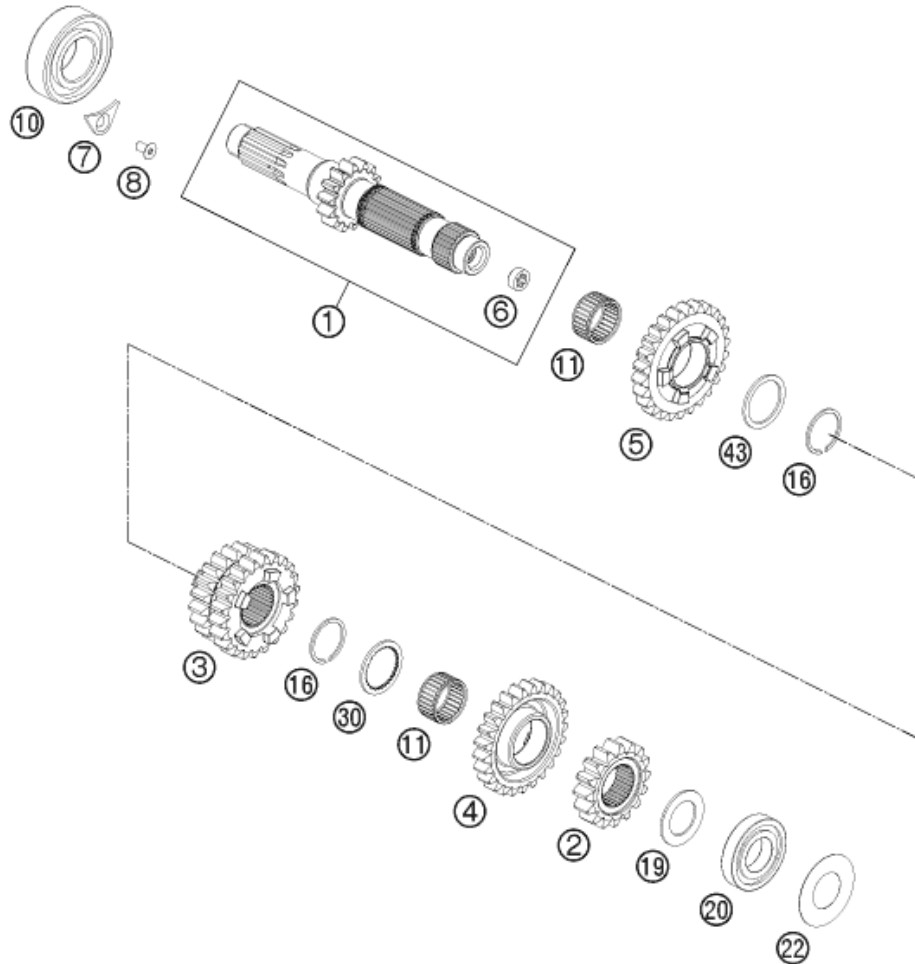
* NEW PART

X ON DEMAND



| POS | PARTNUMBER | PARTNAME | PIECE |
|-----|-------------|-----------------------------|-------|
| 98 | 54637098200 | AXIAL WASHER AS1226 12X26X1 | 1 |
| 99 | 0993012000 | CIRCLIP DIN7993-RW12 | 1 |

C168133210 * NEW PART X ON DEMAND



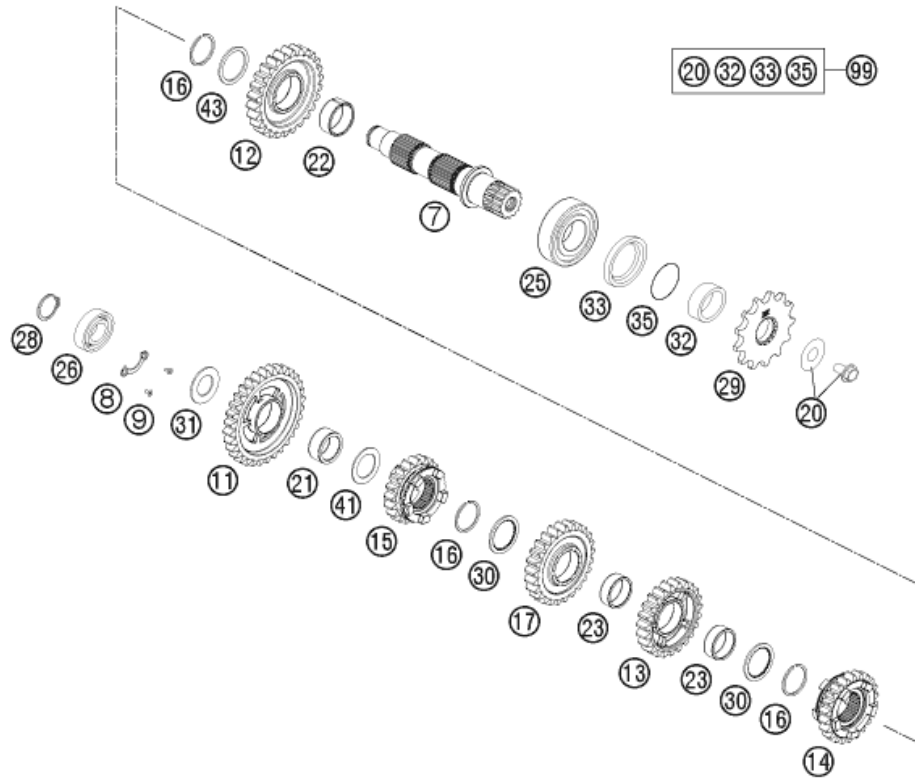
| POS | PARTNUMBER | PARTNAME | PIECE |
|-----|-------------|--------------------------------|-------|
| 1 | 77233101000 | MAIN SHAFT CPL. 14 T. | 1 |
| 2 | 54833202000 | SOLID GEAR | 1 |
| 3 | 54833203000 | SLIDING GEAR 3./4.GANG,Z=20/22 | 1 |
| 4 | 54833205000 | IDLER GEAR 5.G, Z =25 | 1 |
| 5 | 54833206000 | IDLER GEAR 6. G, Z=26 | 1 |
| 6 | 78033001110 | BUSHING | 1 |
| 7 | 75030085000 | RETAINING PLATE F. CS BEARING | 1 |
| 8 | 0019050106S | INT. TORX FLAT HEAD M5X10 10.9 | 1 |
| 10 | 0625062054 | BALL BEARING 6205 C3 NTN | 1 |
| 11 | 0405222613 | NEEDLE BEAR. K 22X26X13 TN | 2 |
| 16 | 0417024000 | CIRCLIP WS24 | 2 |
| 19 | 77233015000 | DISK 20,2X32X1,3 | 1 |
| 20 | 0625160040 | GROOVED BALL BEAR. TM 16004 C3 | 1 |
| 22 | 77233088000 | SPACER SHIM 21X42X0.2 | 1 |
| 30 | 54833043000 | STOP DISC 25X0,8X30X30X7H | 1 |
| 43 | 54833044000 | STOP DISC 25X31X1,5 | 1 |

127753330

C127753330

* NEW PART

X ON DEMAND



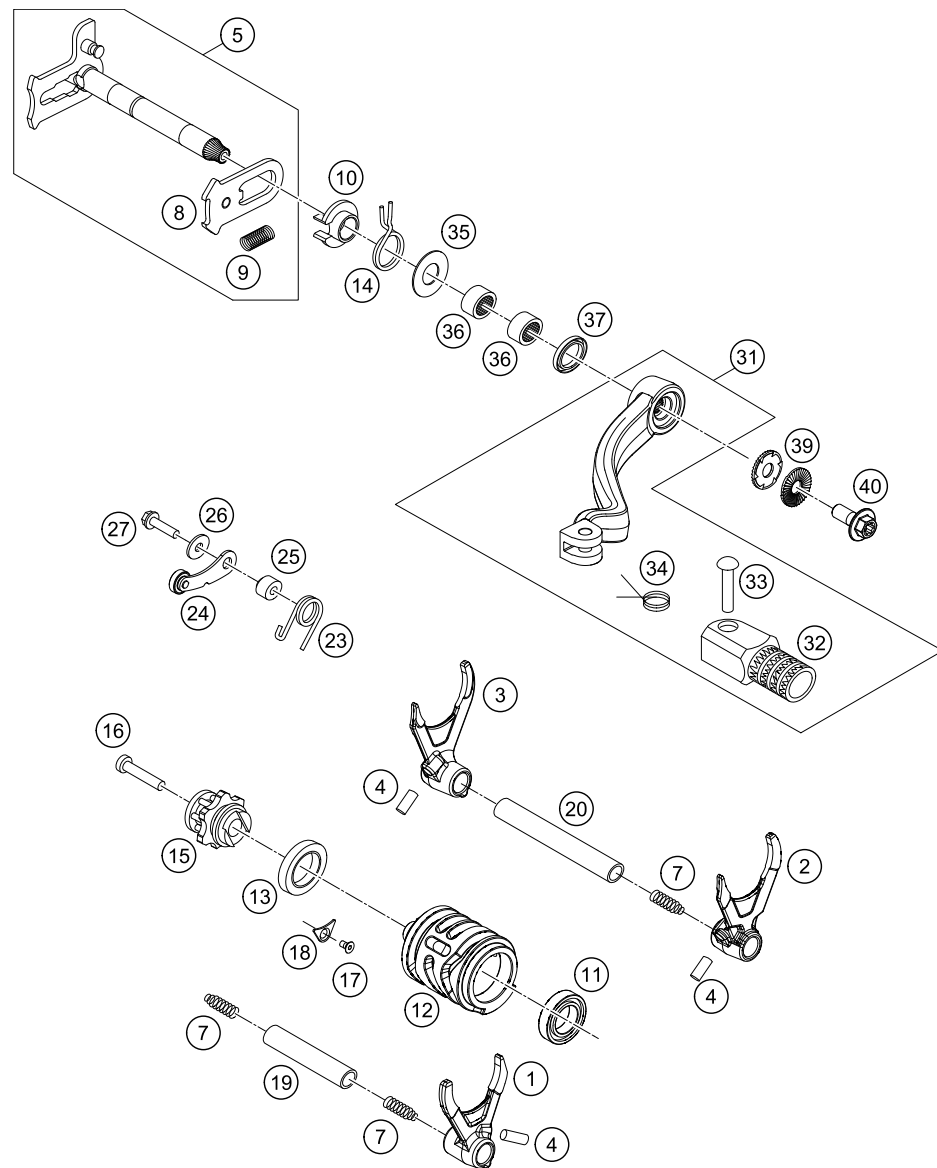
| POS | PARTNUMBER | PARTNAME | PIECE |
|-----|-------------|--------------------------------|-------|
| 7 | 77233110000 | COUNTERSHAFT | 1 |
| 8 | 78033132000 | TAB WASHER BEARING COUNT.SHAFT | 1 |
| 9 | 0019050106S | INT. TORX FLAT HEAD M5X10 10.9 | 2 |
| 11 | 54833211000 | IDLER GEAR 1. G, Z=32 | 1 |
| 12 | 54833212000 | IDLER GEAR 2. G., Z=26 | 1 |
| 13 | 54833214000 | IDLER GEAR 4.G., Z=23 | 1 |
| 14 | 54833215000 | SLIDING GEAR 5.G., Z=22 | 1 |
| 15 | 54833216000 | SLIDING GEAR 6.G., Z=20 | 1 |
| 16 | 0417024000 | CIRCLIP WS24 | 3 |
| 17 | 54833213000 | IDLER GEAR 3.G., Z= 25 | 1 |
| 20 | 59033034044 | SCREW 10.9+SPRING WASHER | 1 |
| 21 | 0405202612 | NEEDLE BEARING K 20X26X12 | 1 |
| 22 | 0405242812 | NEEDLE BEAR. K24X28X11,9 DIV. | 1 |
| 23 | 0405222611 | NEEDLE BEAR.K 22X26X10 DIVIDED | 1 |
| 25 | 49030023000 | CYL.ROLL BEARING NJ205 | 1 |
| 26 | 0625062035 | BALL BEARING 6203 JR2 C3 | 1 |
| 28 | 0471170015 | CIRCLIP DIN 0471-17X1, 5 | 1 |
| 29 | 50033029013 | FRONT SPROCKET 13-T | 1 |
| 29 | 50033029014 | FRONT SPROCKET 14-T | x |
| 30 | 54833043000 | STOP DISC 25X0,8X30X30X7H | 2 |
| 31 | 77233020000 | STOP DISK 17,2X30X1,3 | 1 |
| 32 | 54633014100 | SPACER BUSHING 12MM | 1 |
| 33 | 0760324571 | SHAFT SEAL RING 32X45X7 BSLNBR | 1 |
| 35 | 0770020220 | O-RING 25,12X1,78 NBR70 | 1 |
| 41 | 54833080000 | STOP DISC 20,2X30X1 | 1 |
| 43 | 54833044000 | STOP DISC 25X31X1,5 | 1 |
| 99 | 00050000941 | COUNTER SHAFT REP.KIT 4 STROKE | x |

127753360

C158133361

* NEW PART

X ON DEMAND



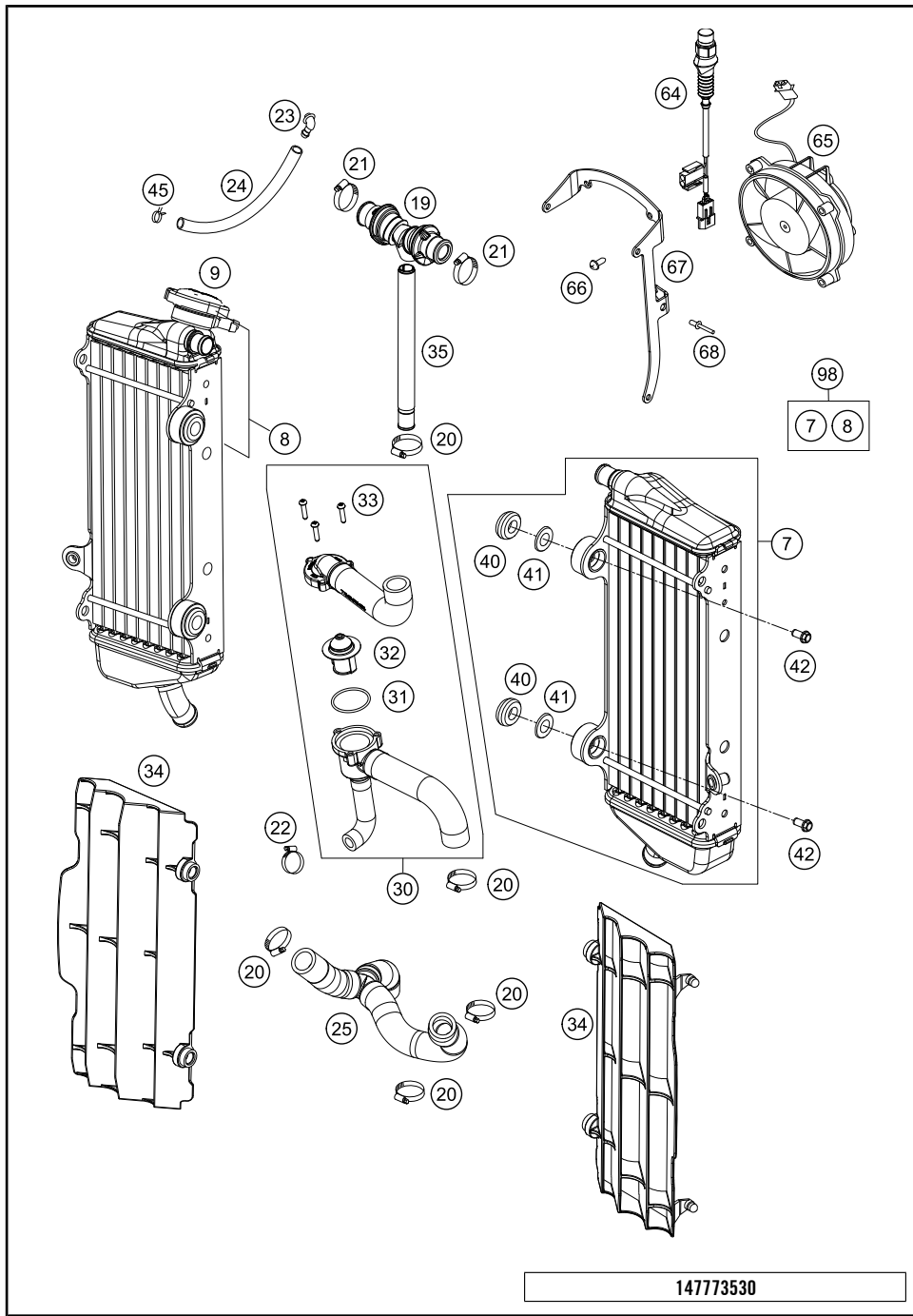
168133410

| POS | PARTNUMBER | PARTNAME | PIECE |
|-----|-------------|--------------------------------|-------|
| 1 | 54834201000 | SHIFT FORK 5./6.G. | 1 |
| 2 | 54834202000 | SHIFT FORK 2./4.G. | 1 |
| 3 | 54834203000 | SHIFT FORK 1./3. G. | 1 |
| 4 | 0402061480 | NEEDLE ROLLER DIN5402 6X14,8 | 3 |
| 5 | 54834005133 | SHIFT SHAFT ASSY | 1 |
| 7 | 58038023200 | PRESSURE SPRING 0,9MM | 3 |
| 8 | 61234008044 | SLIDING PLATE | 1 |
| 9 | 56534013100 | TENSIONING SPRING 0,8MM | 1 |
| 10 | 54634020000 | SPRING GUIDE | 1 |
| 11 | 0625069034 | BALL BEARING 6903 C4 | 1 |
| 12 | 54834212200 | GEAR SHIFT DRUM | 1 |
| 13 | 0625618050 | BALL BEARING 61805 C3 | 1 |
| 14 | 54834014000 | RETURN SPRING 03 | 1 |
| 15 | 77234015000 | SHIFT LOCATING DRUM CPL. | 1 |
| 16 | 0912060353 | AH SCREW DIN0912-M 6X35 | 1 |
| 17 | 0019050106S | INT. TORX FLAT HEAD M5X10 10.9 | 1 |
| 18 | 75030085000 | RETAINING PLATE F. CS BEARING | 1 |
| 19 | 54834019000 | SHIFT. RAIL MAIN SHAFT 250/300 | 1 |
| 20 | 54834020000 | SHIFT. RAIL C. SHAFT 250/300 | 1 |
| 23 | 60034023000 | ARRESTING LEVER SPRING 03 | 1 |
| 24 | 50334024144 | LOCATING LEVER CPL. 08 | 1 |
| 25 | 54634052300 | SLEEVE FOR LOCKING LEVER | 1 |
| 26 | 0021050003 | WASHER DIN9021-A 5,3 | 1 |
| 27 | 0025050206 | HH COLLAR SCREW M5X20 TX30 | 1 |
| 31 | 59034031000 | SHIFT LEVER CPL.RACING 2000 | 1 |
| 32 | 54634131000 | STEP PLATE FOR SHIFT LEVER 250 | 1 |
| 33 | 54634031050 | BOLT 6X25 FOR SHIF LEVER | 1 |
| 34 | 54634032100 | SHIFTING LEVER SPRING 250 | 1 |
| 35 | 54634050000 | STOP DISK 14X30X1 | 1 |
| 36 | 54632095000 | NEEDLE BEAR.HK 1412 14X20X12 | 2 |
| 37 | 0760142460 | SHAFT SEAL RING 14X24X6 B | 1 |
| 39 | 50233041500 | NORDLOCK WASHER M6 | 1 |
| 40 | 0024060156S | HH COLLAR SCREW M6X15 TORX30 | 1 |

C168133410

* NEW PART

X ON DEMAND

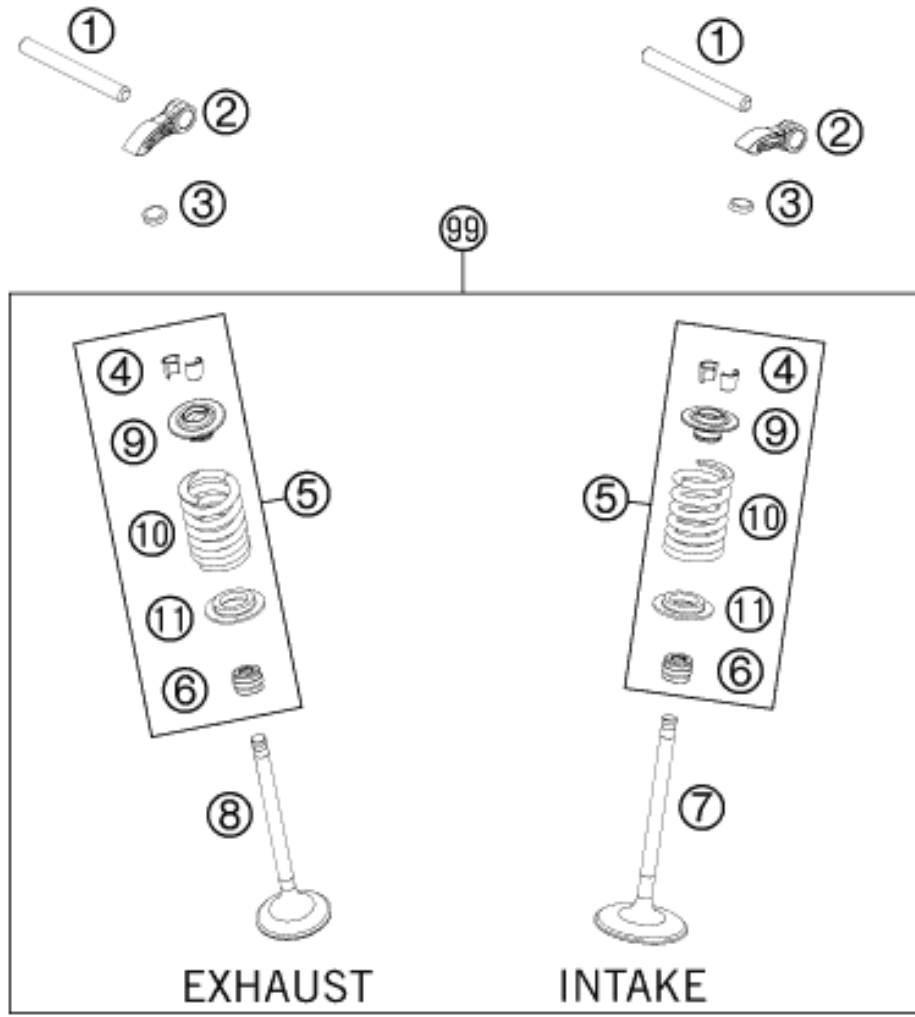


| POS | PARTNUMBER | PARTNAME | PIECE |
|-----|---------------|-------------------------------|-------|
| 7 | 77035007500 | RADIATOR L/S "15623U" | 1 |
| 8 | 78035008400 | RADIATOR R/S "15556U" | 1 |
| 9 | 77335016000 | RADIATOR CAP SMALL 1,8 BAR | 1 |
| 19 | 77235071044 | Y-CONNECTOR CPL. | 1 |
| 20 | 10001020000 | HOSE CLAMP GEMI 18-29 | 5 |
| 21 | 42013037400 | HOSE CLAMP NORMA 14/24 | 2 |
| 22 | 58335099000 | HOSE CLAMP GEMI 10-16 | 1 |
| 23 | 50303089000 | ANGLE PIECE '97 | 1 |
| 24 | 50335030001 | PVC-HOSE 6X9 | x |
| 25 | 77235025033 | RADIATOR HOSE CPL.+Y-CONNECT. | 1 |
| 30 | 77735126033 | RADIATOR HOSE CPL. W. THERM. | 1 |
| 31 | 0770320020 | O-RING 32,00X2,00 | 1 |
| 32 | 59435017000 | THERMOSTAT 70 DEGREE 04 | 1 |
| 33 | 0016040183 | SCREW FOR PLASTIC D=4X18 | 3 |
| 34 | 7733503400030 | RADIATOR PROTECTION BLACK 07 | x |
| 35 | 77235073000 | HOSE CONNECTOR L=172,5 | 1 |
| 40 | 41001052000 | RUBBER SLEEVE D=12MM | 4 |
| 41 | 77335001000 | WASHER FOR RADIATOR 08 | 4 |
| 42 | 0023060123 | COLLAR SCREW M6X12 TX | 4 |
| 45 | 59007017000 | CLAMP YDNAC 10096F (9,6MM) | 1 |
| 64 | 77735045000 | THERMO SWITCH 95°C M14X1,5 | 1 |
| 65 | 58435041000 | FAN CPL. 12V LC4 2000 | 1 |
| 66 | 0081050181 | SCREW FOR PLASTIC K50X18 T20 | 3 |
| 67 | 81235943000 | FAN SUPPORT | 1 |
| 68 | 0011400800 | RIVET 4,0X 8 ALU | 3 |
| 98 | 00050000131 | RADIATOR KIT 08-14 | 1 |

147773530

C158133533

* NEW PART X ON DEMAND



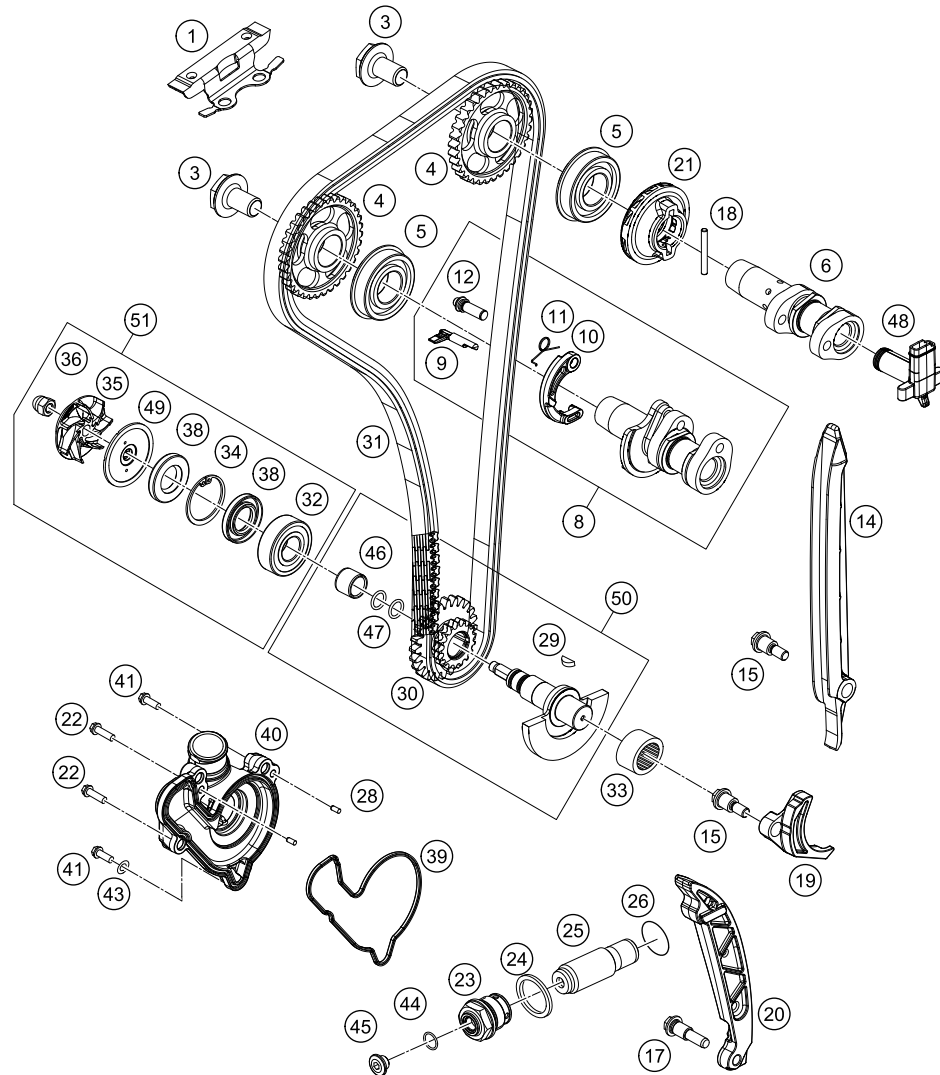
| POS | PARTNUMBER | PARTNAME | PIECE |
|-----|-------------|---------------------------|-------|
| 1 | 77236056000 | VALVE LEVER SHAFT | 2 |
| 2 | 77236060000 | VALVE LEVER | 4 |
| 3 | 77036035172 | SHIM D=8,9/1,72 | X |
| 3 | 77036035176 | SHIM D=8,9/1,76 | X |
| 3 | 77036035180 | SHIM D=8,9/1,80 | X |
| 3 | 77036035184 | SHIM D=8,9/1,84 | X |
| 3 | 77036035188 | SHIM D=8,9/1,88 | X |
| 3 | 77036035192 | SHIM D=8,9/1,92 | X |
| 3 | 77036035196 | SHIM D=8,9/1,96 | X |
| 3 | 77036035200 | SHIM D=8,9/2,00 | X |
| 3 | 77036035204 | SHIM D=8,9/2,04 | X |
| 3 | 77036035208 | SHIM D=8,9/2,08 | X |
| 3 | 77036035212 | SHIM D=8,9/2,12 | X |
| 3 | 77036035216 | SHIM D=8,9/2,16 | X |
| 3 | 77036035220 | SHIM D=8,9/2,20 | X |
| 3 | 77036035224 | SHIM D=8,9/2,24 | X |
| 3 | 77036035228 | SHIM D=8,9/2,28 | X |
| 3 | 77036035232 | SHIM D=8,9/2,32 | X |
| 3 | 77036035236 | SHIM D=8,9/2,36 | X |
| 3 | 77036035240 | SHIM D=8,9/2,40 | X |
| 3 | 77036035244 | SHIM D=8,9/2,44 | X |
| 3 | 77036035248 | SHIM D=8,9/2,48 | X |
| 3 | 77036035252 | SHIM D=8,9/2,52 | X |
| 3 | 77036035256 | SHIM D=8,9/2,56 | X |
| 3 | 77036035260 | SHIM D=8,9/2,60 | X |
| 4 | 77236033000 | VALVE COLLET | 8 |
| 5 | 77536028044 | VALVE SPRING KIT | 4 |
| 6 | 77236027000 | VALVE-STEM SEALING | 4 |
| 7 | 77236030200 | INTAKE VALVE | 2 |
| 8 | 77236031100 | EXHAUST VALVE | 2 |
| 9 | 77536032100 | VALVE-SPRING RETAINER | 4 |
| 10 | 77036028300 | VALVE SPRING INSIDE | 4 |
| 11 | 77536036100 | VALVE SPRING HOLDER | 4 |
| 99 | 77536030010 | VALVE KIT 350 EXC-F 12-14 | 1 |

117723610

C148133610

* NEW PART

X ON DEMAND



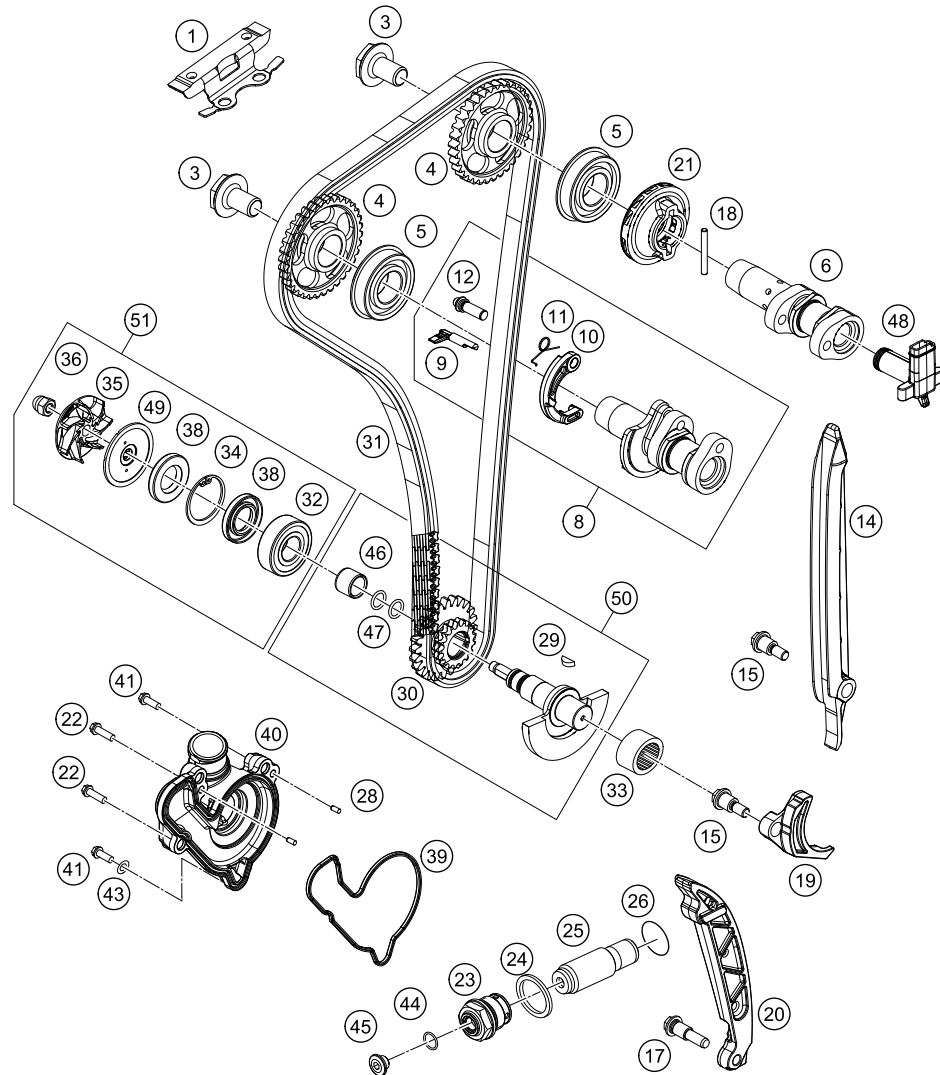
147753620

| POS | PARTNUMBER | PARTNAME | PIECE |
|-----|-------------|--------------------------------|-------|
| 1 | 77236004000 | % TIMING CHAIN GUIDE TOP | 1 |
| 3 | 77036012100 | CAMSHAFT GEAR SCREW 08 | 2 |
| 4 | 77236011000 | CAMSHAFT GEAR | 2 |
| 5 | 0625060043 | BALL BEARING 6004 NR C3 '05 | 2 |
| 6 | 77536009000 | CAMSHAFT INTAKE | 1 |
| 8 | 72036010044 | CAMSHAFT EXH. WITH DEKO CPL. | 1 |
| 9 | 77236015000 | AUTO DECOMPRESSION | 1 |
| 10 | 77036016100 | AUTO DECO WEIGHT | 1 |
| 11 | 77236017000 | SPRING FOR AUTO DECOMPR. | 1 |
| 12 | 77236019000 | BUSHING SCREW AUTODEC. | 1 |
| 14 | 77236001000 | TIMING CHAIN GUIDE | 1 |
| 15 | 77236001160 | BUSHING SCREW M6 | 2 |
| 17 | 77236002160 | BUSHING SCREW M8 | 1 |
| 18 | 0402035298 | NEEDLE ROLLER NRB 3.5X29.8-G2 | 1 |
| 19 | 77236005000 | SECURING PROTECTION | 1 |
| 20 | 77236002000 | TENSIONING RAIL | 1 |
| 21 | 77236082000 | VENTILATION GEAR CPL. | 1 |
| 22 | 0025060406 | HH COLLAR SCREW M6X40 TX30 | 2 |
| 23 | 77336008000 | HOLDING BOLT M24X1,5 | 1 |
| 24 | 0603242920 | CU SEAL-RING DIN7603 A24X29X2 | 1 |
| 25 | 77036003000 | CHAIN ADJUSTER HYD. 05 | 1 |
| 26 | 0770180020 | O-RING 18,00X2,00 NBR 70 | 1 |
| 28 | 0402040980 | NEEDLE ROL.DIN5402 NRB 4X9,8 | 2 |
| 29 | 0888030037 | WOODRUFF KEY DIN6888-3X3,7 | 1 |
| 30 | 77236076000 | TIMING VALVE TWIN WHEEL | 1 |
| 31 | 77236013000 | TIMING CHAIN | 1 |
| 32 | 0625062022 | BALL BEARING 6202 C0 2 | 1 |
| 33 | 77230058000 | NEEDLE BEARING NK16/16 | 1 |
| 34 | 0472300120 | CIRCLIP 30X1,2 | 1 |
| 35 | 81235055020 | WATER PUMP ROTOR | 1 |
| 36 | 61230045000 | CAP NUT M6 STAINLESS STEEL | 1 |
| 38 | 07601530451 | SHAFT SEAL RING 15X30X4.5 BAUD | 2 |
| 39 | 77735053000 | WATER PUMP COVER GASKET | 1 |
| 40 | 77735052000 | WATERPUMP COVER | 1 |
| 41 | 0025060256 | HH COLLAR SCREW M6X25 TX30 | 2 |
| 43 | 0603061001 | CU-SEAL RING DIN7603-6X10X1 | 1 |
| 44 | 0770010010 | O-RING 10,00X1,00 NBR 70 SH | 1 |
| 45 | 77236080000 | % SCREW PLUG | 1 |

C148133620

* NEW PART

X ON DEMAND



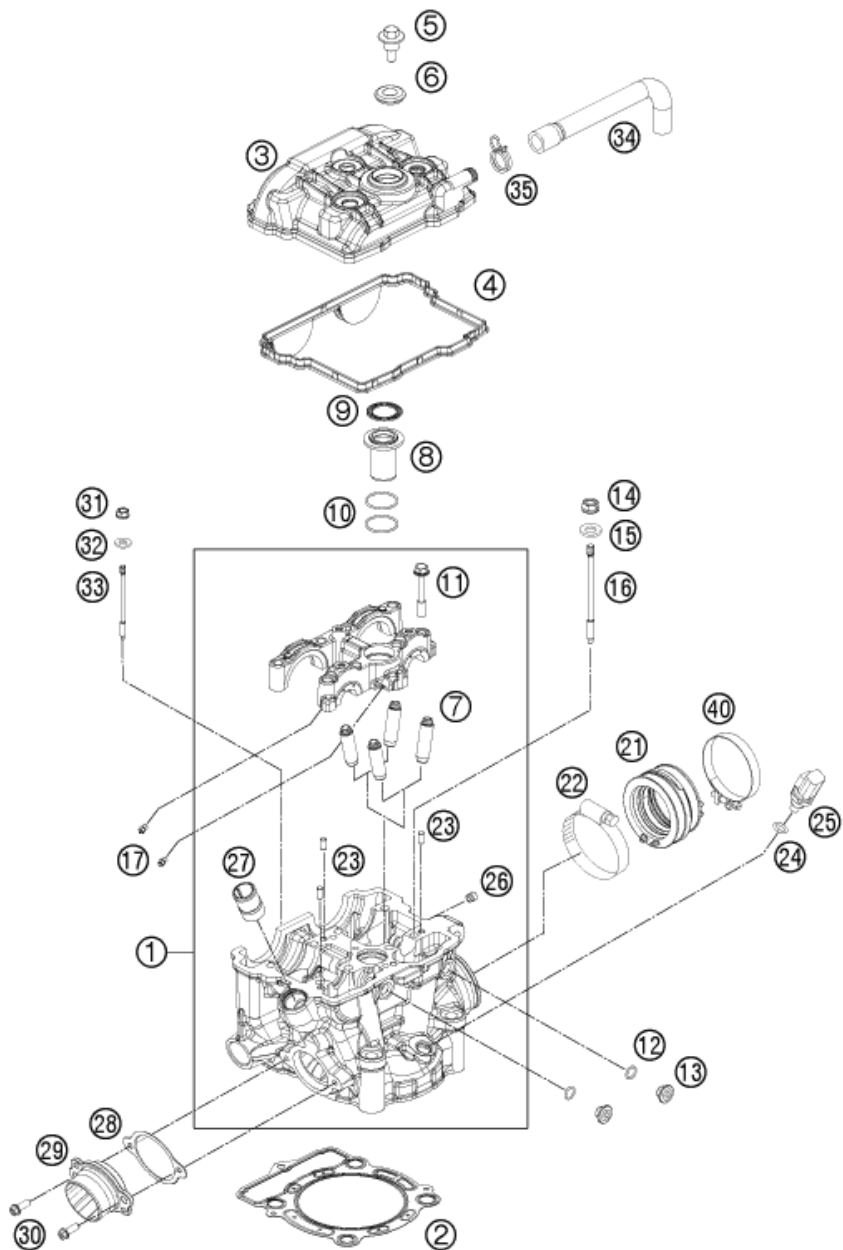
| POS | PARTNUMBER | PARTNAME | PIECE |
|-----|-------------|--------------------------------|-------|
| 46 | 77236072020 | WEAR BUSHING WAPU | 1 |
| 47 | 07700900151 | O-RING 9x1,5 V80 SH | 2 |
| 48 | 77236081000 | ANGLE PIECE F. BREATHER SYSTEM | 1 |
| 49 | 81235055110 | DISC WATER PUMP | 1 |
| 50 | 77536072033 | BALANCER SHAFT CPL. | x |
| 51 | 77235055010 | WATER PUMP REP. KIT 11-14 | x |

147753620

C148133620

* NEW PART

X ON DEMAND



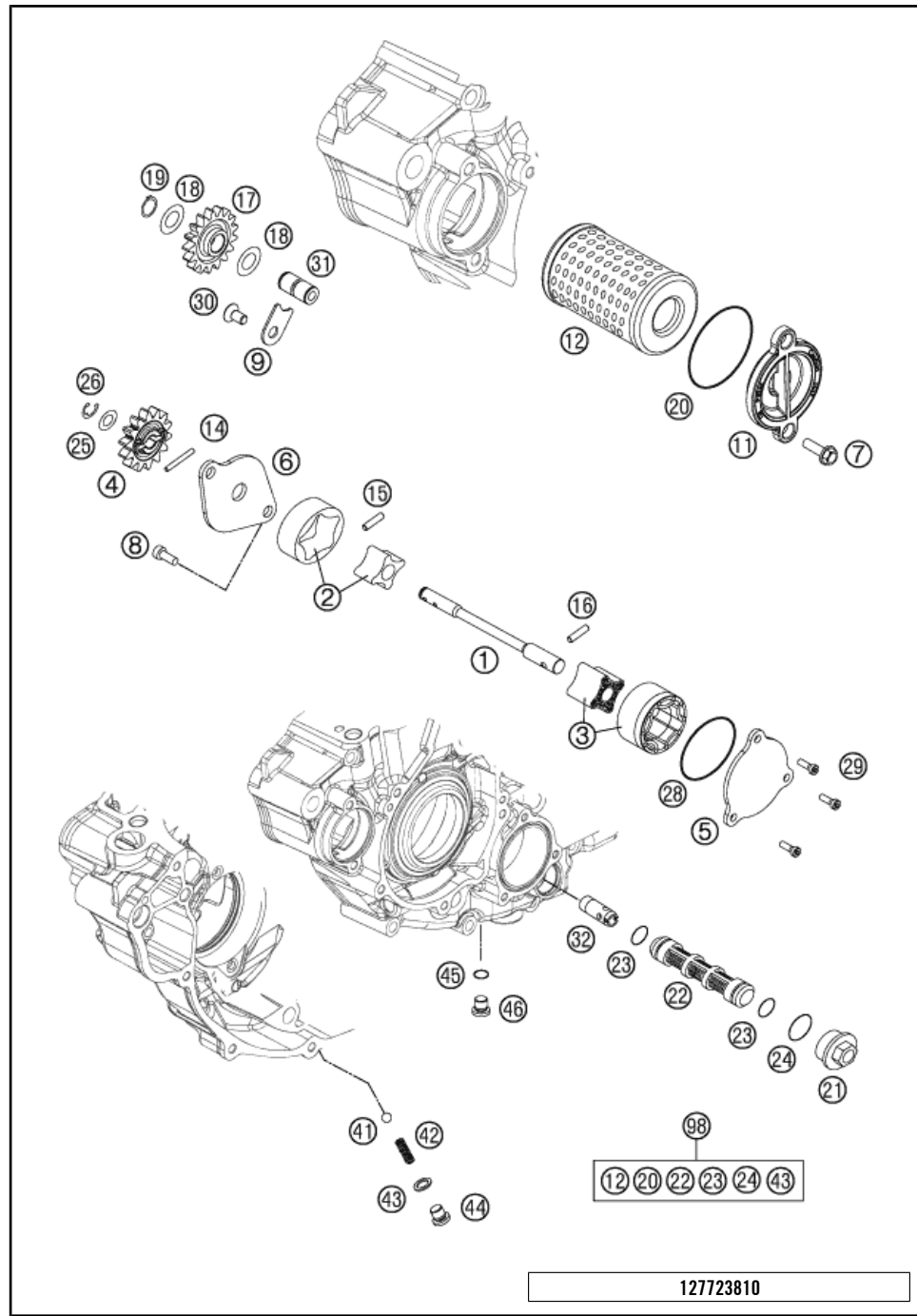
127753630

| POS | PARTNUMBER | PARTNAME | PIECE |
|-----|---------------|-------------------------------|-------|
| 1 | 77236020044 | CYLINDER HEAD CPL. | 1 |
| 2 | 77230036000 | CYLINDER HEAD GASKET | 1 |
| 3 | 77236052000DA | VALVE COVER | 1 |
| 4 | 77236053000 | VALVE COVER GASKET | 1 |
| 5 | 77336054150 | VALVE COVER SCREW | 3 |
| 6 | 77036054150 | RUBBER GASKET FOR SCREW | 3 |
| 7 | 77236025001 | VALVE GUIDE INTAKT | 4 |
| 8 | 77236075000 | INSERT SPARK-PLUG SHAFT | 1 |
| 9 | 77336053050 | GASKET SPARK-PLUG SHAFT | 1 |
| 10 | 0770260015 | O-RING 1,5x26 | 2 |
| 11 | 77330067142 | HH COLLAR SCREW M7X1X42 | 8 |
| 12 | 07700900151 | O-RING 9x1,5 V80 SH | 2 |
| 13 | 77236080100 | SCREW PLUG | 2 |
| 14 | 77336088210 | COLLAR NUT M10X1,25 SW13 | 4 |
| 15 | 77336089010 | WASHER 19X10,5X2,5 | 4 |
| 16 | 77230044000 | STUD SCREW M10X1,25 | 4 |
| 17 | 60030063050 | OIL JET 50 05 | 4 |
| 21 | 77236044000 | CONNECTION RUBBER EFI | 1 |
| 22 | 61036047000 | HOSE CLAMP GEMI 63MM 05 | 1 |
| 23 | 0402050980 | NEEDLE ROLLER DIN5402 5X9,8 | 3 |
| 24 | 0770100020 | O-RING 10,00X2,00 SILCONE | 1 |
| 25 | 60011252000 | TEMPERAT.-SENSOR WATER LC8 02 | 1 |
| 26 | 59030296000 | SCREW PLUG | 1 |
| 27 | 58030010200 | SCREW IN NOZZLE M20X1,5 | 1 |
| 28 | 77236041000 | GASKET EXHAUST FLANGE | 1 |
| 29 | 77236139000 | ENGINEFLANGE | 1 |
| 30 | 0025060166S | HH COLLAR SCREW M6X16 ISA 30 | 2 |
| 31 | 77336088106 | COLLAR NUT M6X1 SW8 | 1 |
| 32 | 0125060003 | WASHER DIN0125-A 6,4 | 1 |
| 33 | 77330043000 | STUD SCREW M6 | 1 |
| 34 | 77538087000 | ENGINE BREATHER TUBE | 1 |
| 35 | 58431082100 | YDNAC-CLAMP 10173 (16MM) '98 | 1 |
| 40 | 77236048000 | HOSE CLAMP GEMI 58MM | 1 |

C168133631

* NEW PART

X ON DEMAND



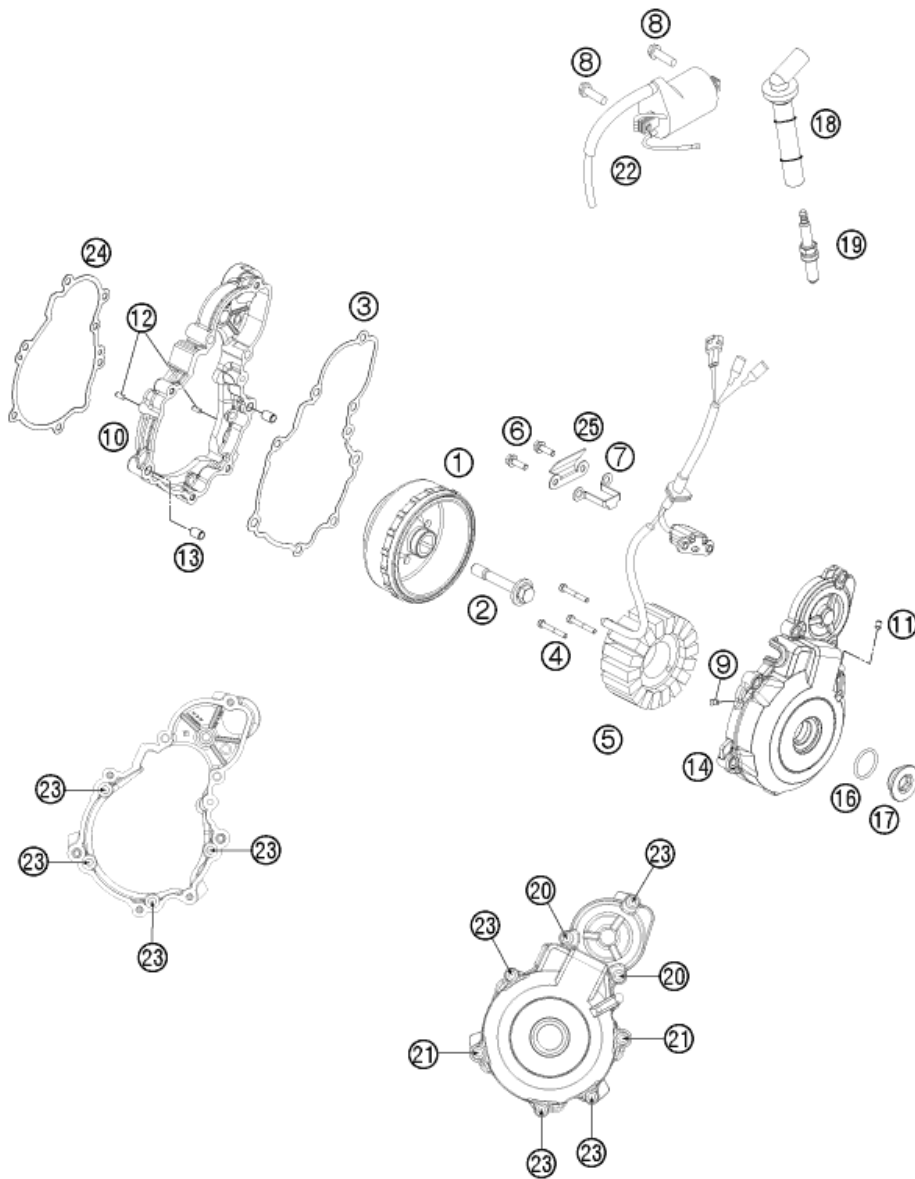
| POS | PARTNUMBER | PARTNAME | PIECE |
|-----|-------------|--------------------------------|-------|
| 1 | 77238102000 | OIL PUMP SHAFT | 1 |
| 2 | 59038011112 | OILPUMP ROTOR-SET 12MM CPL. | 1 |
| 3 | 61238111000 | ROTOR-SET CPL. 22MM | 1 |
| 4 | 77038001100 | OIL PUMP GEAR 14T 08 | 1 |
| 5 | 78038004000 | OIL PUMP COVER SUCTION PUMP | 1 |
| 6 | 77238003100 | OIL PUMP COVER R/S | 1 |
| 7 | 0025060166 | HH COLLAR SCREW M6X16 TX30 | 2 |
| 8 | 0984050123S | CYLIND. SCR. DIN6912 M5X12 8.8 | 2 |
| 9 | 77238061050 | AXIAL-CIRCLIP | 1 |
| 11 | 77338041200 | OIL FILTER COVER 08 | 1 |
| 12 | 77338005100 | OIL FILTER | 1 |
| 14 | 0402251980 | NEEDLEROL.DIN5402 NRA 2,5X19,8 | 1 |
| 15 | 0402251180 | NEEDLE ROLLER DIN5402 2,5X11,8 | 1 |
| 16 | 0402041580 | NEEDLE ROLLER NRB 4X15,8 G2 | 1 |
| 17 | 77038006100 | OILPUMP IDLER GEAR 08 | 1 |
| 18 | 0988121805 | SHIM WASHER DIN0988-12X18X0,50 | 2 |
| 19 | 0471120010 | CIRCLIP DIN0471-12X1 | 1 |
| 20 | 07703305178 | O-RING 33,05X1,78 | 1 |
| 21 | 59038017100 | PLUG M20X1,5 WS=13 | 1 |
| 22 | 59038016100 | OIL SCREEN | 1 |
| 23 | 07701250151 | O-RING 12,5X1,5 VITON V75 | 2 |
| 24 | 0770020170 | O-RING 17,17X1,78 GLO | 1 |
| 25 | 58038007755 | STOP DISK 8,1 X 15 X 0,5 | 1 |
| 26 | 0799060000 | TAB WASHER DIN6799-RS 6,0 | 1 |
| 28 | 0770440020 | O-RING 44,00X2,00 VITON | 1 |
| 29 | 0984050163S | CYL. SCREW DIN6912 M5X16 8.8 | 3 |
| 30 | 0018050103 | INT. TORX OVAL HEAD M 5X10 8.8 | 1 |
| 31 | 77038013100 | BUSHING PIN | 1 |
| 32 | 77038022000 | OIL INTAKEPIPE | 1 |
| 41 | 0401090003 | BALL DIN5401-9 | 1 |
| 42 | 58038023300 | PRESSURE SPRING L=25MM D=1MM | 1 |
| 43 | 58038022000 | CU-SEAL RING DIN7603-12X18X1,5 | 1 |
| 44 | 0908120153 | PLUG DIN0908-M12X1,5 | 1 |
| 45 | 0770110015 | O-RING 1,5X11 SILICON | 1 |
| 46 | 78036081000 | HOLDING BOLT M14X1,5 | 1 |
| 98 | 00050000083 | OILFILTER-GASKET SET 350 SX-F | x |

127723810

C158133810

* NEW PART

X ON DEMAND



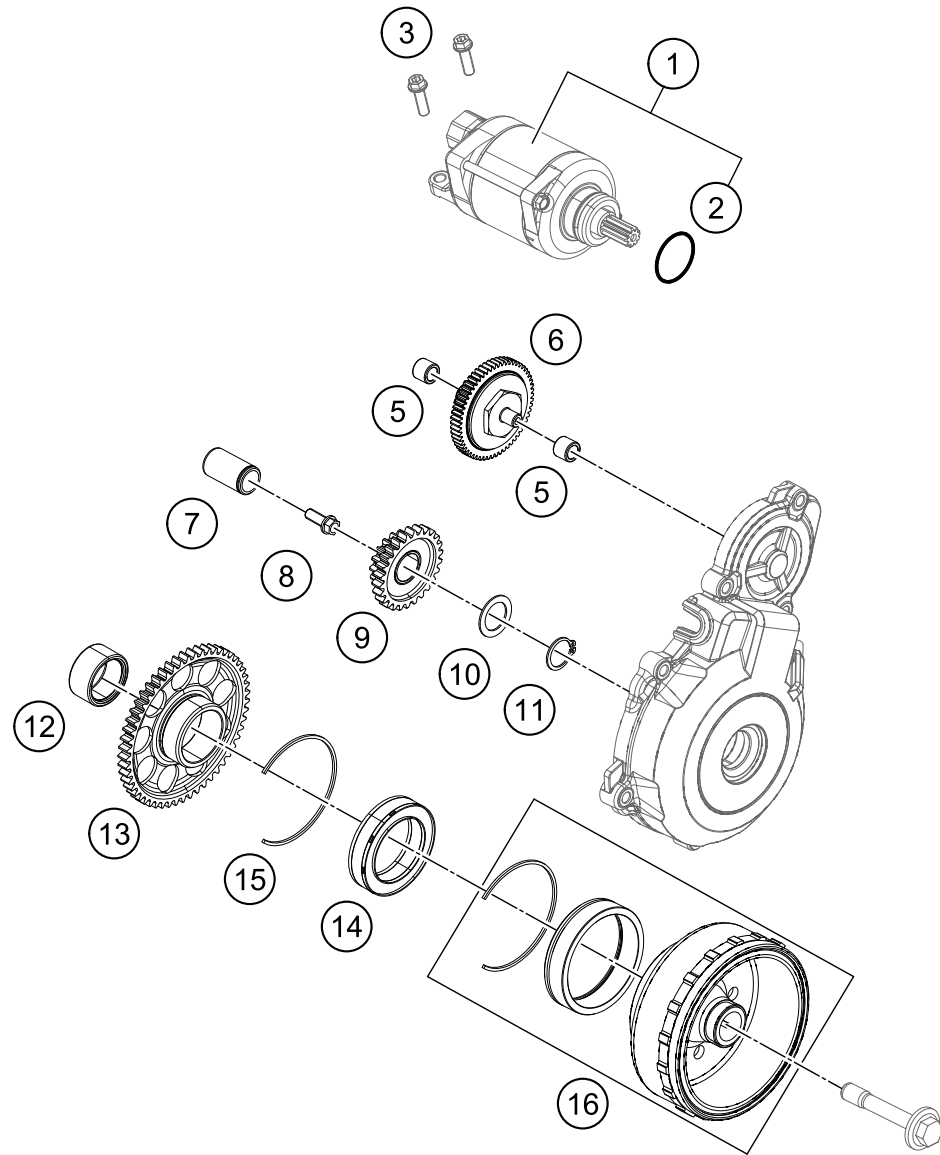
| POS | PARTNUMBER | PARTNAME | PIECE |
|-----|---------------|--------------------------------|-------|
| 1 | 77539005144 | ROTOR EFI CPL. | 1 |
| 2 | 77339010100 | FLYWHEEL SCREW | 1 |
| 3 | 77530042000 | IGNITION COVER GASKET | 1 |
| 4 | 0912050303 | AH SCREW DIN0912-M 5X30 | 3 |
| 5 | 77539004000 | STATOR | 1 |
| 6 | 0025050166 | HH COLLAR SCREW M5X16 TX30 | 2 |
| 7 | 77530002050 | CABLE TAB WASHER EXC | 1 |
| 8 | 0026060186 | COLLAR SCREW M6X18 ISA30 | 2 |
| 9 | 80030058060 | OIL JET "60" M4 | 1 |
| 10 | 77530002000KA | INNER IGNITION COVER | 1 |
| 11 | 0913050063 | THREAD PIN DIN 913 M5X6 | 1 |
| 12 | 0402040980 | NEEDLE ROL.DIN5402 NRB 4X9,8 | 2 |
| 13 | 59030023000 | DOWEL 6X8X11,5 | 2 |
| 14 | 77530012000KA | OUTER IGNITION COVER | 1 |
| 16 | 07700240251 | O-RING 24X2,5 VITON | 1 |
| 17 | 7723000206068 | IGNITION COVER PLUG M24X1,5 | 1 |
| 18 | 77239090000 | SPARK PLUG CONNECTOR | 1 |
| 19 | 77239093000 | PLUG NGK LMAR9AI - 8 | 1 |
| 20 | 0025060506 | HH COLLAR SCREW M6X50 TX30 | 2 |
| 21 | 0025060306 | HH COLLAR SCREW M6X30 TX30 | 2 |
| 22 | 58439006000 | IGNITIONCOIL IG3826 KOKUSAN'96 | 1 |
| 23 | 0025060256 | HH COLLAR SCREW M6X25 TX30 | 8 |
| 24 | 77530040000 | IGNITION COVER GASKET | 1 |
| 25 | 77530002060 | BRACKET | 1 |

127753910

C148133914

* NEW PART

X ON DEMAND



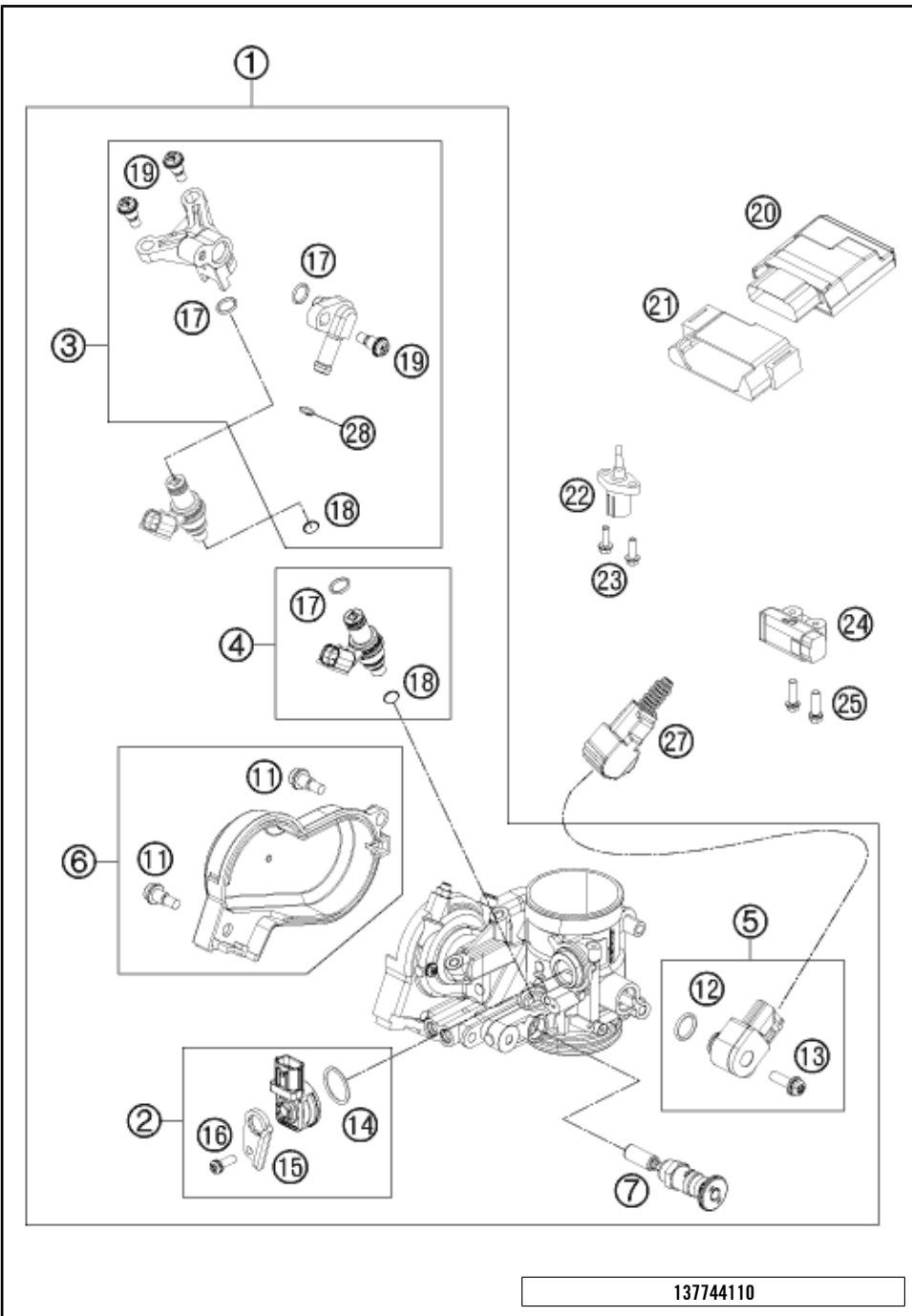
| POS | PARTNUMBER | PARTNAME | PIECE |
|-----|-------------|--------------------------------|-------|
| 1 | 77240001100 | E-STARTER ENGINE CPL. | 1 |
| 2 | 0770250030 | O-RING 25,00X3,00 NBR 70 | 1 |
| 3 | 0025060256 | HH COLLAR SCREW M6X25 TX30 | 2 |
| 5 | 0618081210 | NEEDLE BUSH HK 0810 DIN 618 | 2 |
| 6 | 77240116000 | TORQUE LIMITER | 1 |
| 7 | 59040028000 | BUSHING PIN | 1 |
| 8 | 0015060163 | HH COLLAR SCREW M 6X16 WS=8 | 1 |
| 9 | 77240122000 | STARTER INTERMEDIATE GEAR | 1 |
| 10 | 54633090000 | STOP DISK 17,2X25X1 | 1 |
| 11 | 0471170010 | CIRCLIP DIN0471-17X1 | 1 |
| 12 | 0618253216 | NEEDLE BUSH HK2516 25/32/16 02 | 1 |
| 13 | 77840120000 | FREEWHEELER GEAR | 1 |
| 14 | 80040026000 | FREE WHEEL 03 | 1 |
| 15 | 0472057150 | CIRCLIP DIN0472-57X1,50 | 1 |
| 16 | 77539005144 | ROTOR EFI CPL. | 1 |

147754010

C148134010

* NEW PART

X ON DEMAND



137744110

| POS | PARTNUMBER | PARTNAME | PIECE |
|-----|-------------|--------------------------------|-------|
| 1 | 77241001000 | THROTTLE BODY | 1 |
| 2 | 81241085044 | MAP SENSOR CPL. 09 | 1 |
| 3 | 81241013044 | FUEL RAIL CPL. 09 | 1 |
| 4 | 75041023144 | INJECTOR KIT CPL. | 1 |
| 5 | 81241077044 | TPS KPL. 09 | 1 |
| 6 | 81241056044 | THROTTLE COVER CPL. 09 | 1 |
| 7 | 81241060000 | STARTER VALVE COMP. | 1 |
| 11 | 81241056020 | SPECIAL SCREW AH | 2 |
| 12 | 61041077010 | O-RING THROTTLE POS. SENSOR | 1 |
| 13 | 81241077030 | SPECIAL SCREW | 1 |
| 14 | 75041085010 | O-RING | 1 |
| 15 | 81241085020 | PLATE 09 | 1 |
| 16 | 81241085030 | SPECIAL SCREW | 1 |
| 17 | 75041023020 | O-RING 7,2x2,2 | 2 |
| 18 | 75041023010 | SEAL RING | 1 |
| 19 | 75041013010 | SCREW SHOULDER | 3 |
| 20 | 81241031100 | ELECTRONIC CONTROL UNIT | 1 |
| 21 | 77241031050 | RUBBER BRACKET ECU | 1 |
| 22 | 61041080000 | AMBIENT-AIR TEMPERATURE SENSOR | 1 |
| 23 | 0025050166 | HH COLLAR SCREW M5X16 TX30 | 2 |
| 24 | 61041088000 | ROLLOVER SENSOR 05 | 1 |
| 25 | 0025060206 | HH COLLAR SCREW M6X20 TX30 | 2 |
| 27 | 77111014050 | PROTECTION CAP TPS | 1 |
| 28 | 77507017000 | CLAMP ABA 14MM | 1 |

C137814110

* NEW PART

X ON DEMAND



3CM089394PEN



Husqvarna Motorcycles GmbH
Stallhofnerstraße 3 | 5230 Mattighofen | Austria
www.husqvarna-motorcycles.com

