

# Quick... Couple it faster with Foster!



**FOSTER**<sup>®</sup>  
MANUFACTURING COMPANY



# Pictorial Table of Contents

## One Way Shut-Off Type Industrial Interchange

2 Series, 1/8" Size (6)  
 3 Series, 1/4" Size (7)  
 4 Series, 3/8" Size (8)  
 5 Series, 1/2" Size (9)  
 6 Series, 3/4" Size (10)  
 Specifications &  
 Performance Data (68)



## Non-Standard Interchange

**LN Series (11)**  
 Interchange with  
 Lincoln Long Nose



**SHD Series (12)**  
 Interchange with  
 Schrader Std. & Heavy  
 Duty



**FRL Series (13)**  
 Interchange with Hansen  
 2RL & 3RL



**O60/A70 Series (14)**  
 Interchange with Hansen  
 600 & 700



**210-310 Series (15)**  
 Interchange with  
 ARO 210 & 310



**TF Series (16)**  
 Interchange with Parker  
 Tru-Flate Series 10



**FIH Series (18)**  
 Interchange with  
 Snap-Tite IH



## Two Way Shut-Off

**ISO A Series (17)**  
 [1/4"-1"] ISO 7241-1,  
 Series A



**FKH Series (17)**  
 ISO 7241-1, Series B



**FF Series (18)**  
 [3/8"] ISO 16028, HTMA



**FH Series (18)**  
 [1/4"-1/2"] Snap-Tite H Series



## Straight-Thru Type

**FH Series (18)**  
 [1/4"-1/2"]  
 Interchange with  
 Snap-Tite H Series



**FST Series (19)**  
 [1/8"-1-1/2"]  
 Industrial Interchange



## Mold/Die Coolant

**FJT Series (19 - 20)**  
 [1/8"-1/2"] Interchange with DME  
 Jiffy-Tite - Jiffy Matic



## Recoil Hose

**Polyurethane  
 Recoil Hose (21)**



**Hytrel Recoil  
 Hose (21)**



**Hytrel Recoil Hose  
 Fittings (21)**



## Blow Guns & Accessories

**Handy-Air™ Guns, Tips & Blowgun Kits (22-23)**



## Pneumatic Grease Gun

**Pistol Type Pneumatic Grease Gun (23)**



# Pictorial Table of Contents



<b>Reusable Hose Fittings (24)</b>	<b>“Push-On” Hose &amp; Fittings (25)</b>		
		<b>Push-On Fittings (25)</b> Do Not Require Hose Clamps	<b>Barbed Insert &amp; Fittings (25)</b> Require Hose Clamps
			

<b>Beta Clamp Products</b>				
Beta Clamp Product Overview - (28-29)				
<b>Beta Standard (30-31)</b> 	<b>Beta Heavy (32-33)</b> 	<b>Beta Twin (34-35)</b> 	<b>Beta “Smoothie” (36)</b> 	<b>Beta “Smoothie” Twin (36)</b> 
<b>Beta Rubber Inserts (37-38)</b> 	<b>Beta Adapter (39)</b> 			

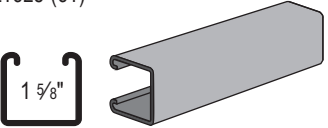
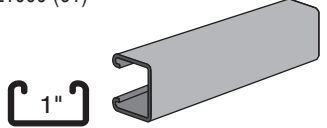
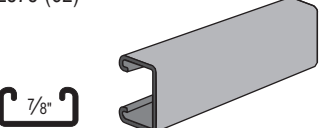
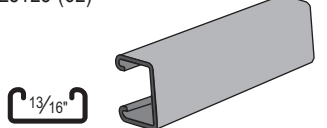
<b>General Clamping Systems</b>						
System Overview - (46)		Flame Retardant Products - (47)				
<b>Cush-A-Clamp® (48)</b> 	<b>Omega Series™ (49)</b> 	<b>Alpha Series™ (50)</b> 	<b>Porce-A-Clamp™ (51)</b> 	<b>Cush-A-Grip™ (63)</b> 	<b>Cush-A-Clip (63)</b> 	<b>Cush-A-Claw (65)</b> 
<b>Cush-A-Click (64)</b> 	<b>Cush-A-Therm™ (53)</b> 	<b>Saddle-Up (54)</b> 	<b>Cush-A-Strip™ (52)</b> 	<b>Quick-Clip (64)</b> 		



# Pictorial Table of Contents

## Z-Strut Products

### Z-Strut Mounted Products Overview - (60)

Z1625 (61) 	Z1000 (61) 	Z875 (62) 	Z8125 (62) 
---	---	---	---

## Z-Clamp Products

### Z-Clamp Product Overview - (40)

Z-Clamp (40-42) 	Hardware (43) 	Z-Clamp Adapters (44-45) 	Rubber Bushing (45) 
--	--	--	--

## Loop Clamps

SPW (55) 	SPN (55) 	SPD (56) 	HVN (56) 	HSN (56) 
SVN (57) 	SVW (57) 	LVZ (58) 	SSN (58) 	Python (59) 

## Anti-Vibration Products

### Gamma Anti-Vibration Pads (66-67)



## Reference Library

Technical Data - Foster Products .....	68-75
Fluid Compatibility Guide .....	76
Safety Information .....	77
Technical Data - Beta Clamps .....	78
Installation - Beta Clamps .....	79-80
Installation - Z-Clamp & Beta Adapter .....	81
Technical Data - Pipe Tables .....	82-84
Technical Data - Fraction Conversion .....	85
Foster Part Number Index .....	86-87
ZSi Part Number Index .....	88-89
Keyword Index .....	90-91

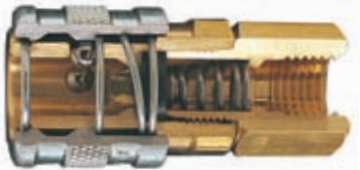


# Quick Detachable Couplers




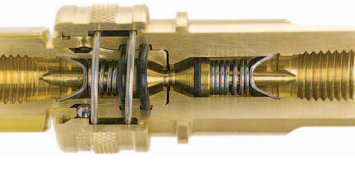

**How To Select** – Proper coupler selection is important because of the variety of media for which they are used. Four basic factors should be considered to assure proper selection:

## Type – Operation – Flow – Media

**Type** – All couplers consist of two basic components – a socket and a plug. The type of coupler varies by the valving arrangements in these two components.

Manual	Automatic	Safety Coupler
 <p>Manual sockets require manual retraction of the sleeve to both connect and disconnect the plug. The “BL Series” is an optional feature available on manual sockets. After connection, the sleeve is rotated locking the coupler against accidental disconnect.</p>	 <p>Automatic sockets accept the plug by simple insertion into the socket and do not require retraction of the sleeve to connect. The “SL Series” is an optional feature on automatic sockets to prevent accidental disconnect. It is functionally the same as the “BL Series” on manual sockets.</p>	 <p>Safety sockets are a variation of automatic operation. The socket accepts the plug by insertion. The sleeve is moved straight forward to lock and turn on the air. The sleeve is moved back by rotating first to the left and then to the right. This shuts off the supply line, exhausts the downstream line, and then releases the plug.</p>

**Operation** – Operation refers to the action required to connect and disconnect a coupler. Operation is a function of sockets only and does not vary for plugs.

One Way Shut-Off	Two Way Shut-Off	Straight-Thru
 <p>In a “One Way Shut-Off,” only the socket has valving to shut off the flow when disconnected; it is, therefore, installed on the pressure side of the line. The plug has no valving and exhausts the downstream line at disconnect.</p>	 <p>The “Two Way Shut-Off” provides valving in both the socket and the plug, thereby shutting off flow at both of the disconnected ends. Originally developed for hydraulic lines, they are suitable for many other media because of the variety of metals and seal compounds offered.</p>	 <p>“Straight-Thru” couplers, as the name implies, do not have valving in either the socket or the plug. Therefore, both ends of the line are exhausted at disconnect.</p>

**Flow** – The most important factor in properly sizing couplers is flow. Flow data is given throughout the catalog for industrial interchange design couplers, as well as many of Foster’s interchanges for competitors’ non-standard designs. Where flow information is not shown, it is the same as the originating competitors’ non-standard design. Most One Way Shut-Off non-standard couplers have the same flow as the same basic size industrial interchange design. All flows shown are for FPT couplers.

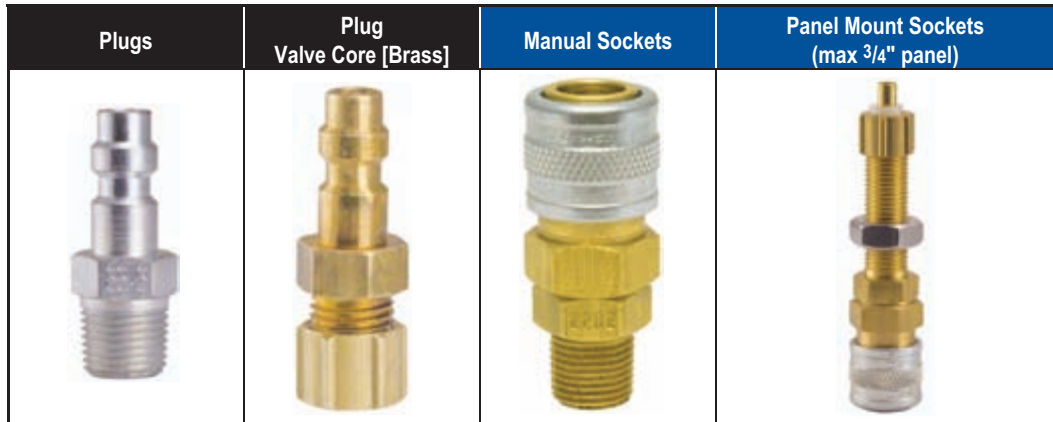
**Media** – The media flowing through the coupler will usually determine the type. Compressed air, many other gasses, and some liquids can be handled by One Way Shut-Off couplers. Hydraulic fluids as well as many other liquids and some gasses require Two Way Shut-Off. Straight-Thru couplers are suitable where there is no pressure in the line at connect or disconnect and loss of media at disconnect does not matter.



# 1/8" One Way Shut-Off - 2 Series

## FEATURES

- High flow capability for small coupler
- Precision leak-proof seal
- Positive locking mechanism



	Plugs	Plug Valve Core [Brass]	Manual Sockets	Panel Mount Sockets (max 3/4" panel)
Size	Cat. No.	Cat. No.	Cat. No.	Cat. No.
Plastic & Metal Tubing			 BL optional [1]	
.170 x 1/4 Plastic	PJ8-2	PJ8-2V	SJ8-2	SJ8P-2
1/4 Soft Metal	PJ8-2M	PJ8-2VM	SJ8-2M	SJ8P-2M
Female Thread				[1] BL – Locks manual socket against accidental disconnect. To order, prefix BL to socket number.
1/8 FPT	23-2	-	2302	
1/8 FPT [303 Stainless]	-		2302S/S	
1/4 FPT	27-2		2702	
Male Thread				
1/8 MPT	22-2	-	2202	
1/8 MPT [Brass]	22-2B		-	
1/8 MPT [303 Stainless]	22-2S/S		2202S/S	
1/4 MPT	24-2		2402	
Hose Stem (Require Hose Clamps)				
1/8 I.D.	02-2	-	2022	
3/16 I.D.	03-2		2032	
1/4 I.D.	04-2		2042	
Self Storing Air Hose				
1/4 I.D.	-	-	1502	
Reusable Hose Clamp (ID x OD)				
1/4 x 1/2	PB3-2	-	-	
1/4 x 9/16	PB5-2			
1/4 x 5/8	PB7-2			
1/4 x 11/16	PB9-2			

- Profile drawings available at [www.couplers.com](http://www.couplers.com)
- See Page 68 for Specifications, Performance Data, Full Size Templates, and Optional Seal Compounds

# 1/4" One Way Shut-Off - 3 Series



## INDUSTRIAL INTERCHANGE

- Meets ISO 6150-B
- ANSI (NFPA) T3.20.14-1990
- The SV Series Meets ISO 4414

Standard Plugs	Ball Check Plugs	Valve Core Plugs	Manual Industrial	Automatic Complies with A-A-59439	Manual Sleeve Guard	Safety

Size	Cat. No.	Cat. No.	Cat. No.	Cat. No.	Cat. No.	Cat. No.	Cat. No.	Cat. No.
<b>Female Thread</b>								
1/8 FPT	13-3				2803	FM2803	SG2803	-
1/8 FPT [Brass]	13-3B				-	-	-	-
1/8 FPT [303 Stainless]	13-3S/S				2803S/S	-	-	-
1/4 FPT	11-3	-	-	-	3003	FM3003	SG3003	SV3003
1/4 FPT [Brass]	11-3B				-	-	-	-
1/4 FPT [303 Stainless]	11-3S/S				3003S/S	-	-	-
3/8 FPT	15-3				3203	FM3203	SG3203	SV3203
3/8 FPT [303 Stainless]	-				3203S/S	-	-	-
<b>Male Thread</b>		<b>Free Swivel Under Pressure [3]</b>	<b>Ball Check Plug [1]</b>	<b>Valve Core Plug [2]</b>				
1/8 MPT	12-3	12S-3	-	-	2903	FM2903	SG2903	-
1/8 MPT [Brass]	12-3B	-	-	-	-	-	-	-
1/8 MPT [303 Stainless]	12-3S/S	-	-	-	2903S/S	-	-	-
1/4 MPT	10-3	10S-3	10-3G	10-3D	3103	FM3103	SG3103	SV3103
1/4 MPT [Spring Loaded]	-	-	10-3GS	-	-	-	-	-
1/4 MPT [Brass]	10-3B	-	10-3GB	10-3DB	-	-	-	-
1/4 MPT [303 Stainless]	10-3S/S	-	10-3GS/S	-	3103S/S	-	-	-
3/8 MPT	14-3	14S-3	14-3GB	-	3303	FM3303	SG3303	SV3303
3/8 MPT [Brass]	14-3B	-	-	-	-	-	-	-
3/8 MPT [303 Stainless]	-	-	-	-	3303S/S	-	-	-
<b>Hose Stem (Requires Hose Clamps)</b>								
1/4 I.D.	16-3				3603	FM3603	SG3603	SV3603
1/4 I.D. [Brass]	16-3B				-	-	-	-
1/4 I.D. [303 Stainless]	-				3603S/S	-	-	-
5/16 I.D.	165-3	-	-	-	3653	FM3653	-	-
3/8 I.D.	17-3				3703	FM3703	SG3703	SV3703
3/8 I.D. [Brass]	17-3B				-	-	-	-
3/8 I.D. [303 Stainless]	-				3703S/S	-	-	-
<b>Push-On Hose Stem</b>								
1/4 I.D.	51-3	-	-	-	1513	FM1513	SG1513	-
3/8 I.D.	71-3	-	-	-	1713	FM1713	SG1713	-
<b>Reusable Hose Clamp ID x OD</b>								
1/4 x 1/2	PB3-3				SB3-3	FMSB3-3		
1/4 x 1/2 [Brass]	PB3-3B				-	-		
1/4 x 1/2 [303 Stainless]	PB3-3S/S				SB3-3S/S	-		
1/4 x 9/16	PB5-3				SB5-3	FMSB5-3		
1/4 x 9/16 [Brass]	PB5-3B				-	-		
1/4 x 5/8	PB7-3				SB7-3	FMSB7-3		
1/4 x 5/8 [Brass]	PB7-3B				-	-		
1/4 x 5/8 [303 Stainless]	PB7-3S/S				SB7-3S/S	-		
1/4 x 11/16	PB9-3				SB9-3	FMSB9-3		
1/4 x 11/16 [Brass]	PB9-3B				-	-		
5/16 x 9/16	PC5-3				SC5-3	FMSC5-3		
5/16 x 5/8	PC7-3				SC7-3	FMSC7-3		
3/8 x 5/8	PD7-3				SD7-3	FMSD7-3		
3/8 x 11/16	PD9-3				SD9-3	FMSD9-3		
3/8 x 3/4	PD11-3				SD11-3	FMSD11-3		
3/8 x 13/16	PD13-3				SD13-3	FMSD13-3		

- [1] Ball check plugs eliminate hose whip at disconnect by checking the rapid flow of downstream exhaust air
- [2] Sockets with modified valves are recommended for use with valve core plugs. Suffix-D to socket Cat. No.
- [3] Swivel Plugs - Eliminates hose twist on end drop applications such as blow guns, air tools, etc.
- [4] BL - Locks manual socket against accidental disconnect. To order, prefix BL to socket number.
- [5] SL - Locks automatic socket against accidental disconnect. To order, change FM prefix to SL.



Dust Caps, Plugs  
3PDC



Dust Caps, Sockets  
3SDC

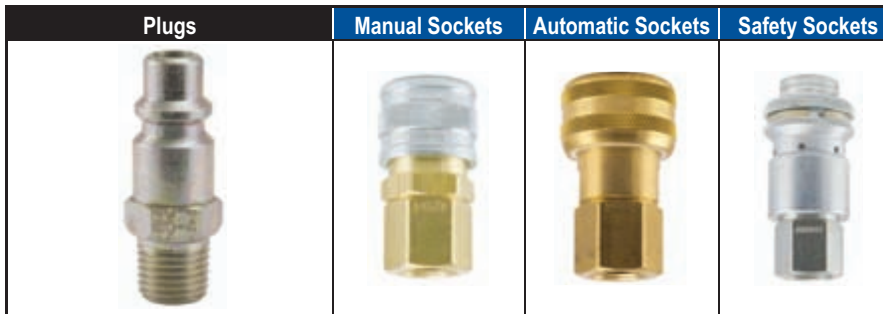
- Profile drawings available at [www.couplers.com](http://www.couplers.com)
- See Page 68 for Specifications, Performance Data, Full Size Templates, and Optional Seal Compounds



# 3/8" One Way Shut-Off - 4 Series

## INDUSTRIAL INTERCHANGE

- Meets ISO 6150-B
- ANSI(NFPA) T3.20.14-1990
- The SV Series Meets ISO 4414



Size	Cat. No.	Cat. No.	Cat. No.	Cat. No.	Cat. No.
<b>Female Thread</b>					
			BL optional [2]	SL optional [3]	Protective Cover optional [4]
1/4 FPT	41-4	-	4004	FM4004	SV4004
3/8 FPT	43-4		4204	FM4204	SV4204
3/8 FPT [303 Stainless]	43-4S/S		4204S/S	-	-
1/2 FPT	45-4		4404	FM4404	SV4404
<b>Male Thread</b>					
		Free Swivel [1] Under Pressure			
1/8 MPT	38-4	-	-	-	-
1/4 MPT	40-4	40S-4	4104	FM4104	SV4104
1/4 MPT [Brass]	40-4B	-	-	-	-
1/4 MPT [303 Stainless]	40-4S/S	-	-	-	-
3/8 MPT	42-4	42S-4	4304	FM4304	SV4304
3/8 MPT [Brass]	42-4B	-	-	-	-
3/8 MPT [303 Stainless]	42-4S/S	-	4304S/S	-	-
1/2 MPT	44-4	-	4504	FM4504	SV4504
<b>Hose Stem (Require Hose Clamps)</b>					
1/4 I.D.	46-4	-	4604	FM4604	-
5/16 I.D.	47-4		4704	FM4704	-
3/8 I.D.	48-4		4804	FM4804	SV4804
3/8 I.D. [Brass]	48-4B		-	-	-
1/2 I.D.	49-4		4904	FM4904	SV4904
<b>Push-On Hose Stem</b>					
1/4 I.D.	51-4	-	-	-	
3/8 I.D.	71-4		1714	FM1714	
3/8 I.D. [Brass]	71-4B		-	-	
1/2 I.D.	81-4		1814	FM1814	
<b>Reusable Hose Clamp ID x OD</b>					
1/4 x 1/2	PB3-4	-	SB3-4	FMSB3-4	
1/4 x 9/16	PB5-4		SB5-4	FMSB5-4	
1/4 x 5/8	PB7-4		SB7-4	FMSB7-4	
1/4 x 11/16	PB9-4		SB9-4	FMSB9-4	
3/8 x 5/8	PD7-4	-	SD7-4	FMSD7-4	
3/8 x 11/16	PD9-4		SD9-4	FMSD9-4	
3/8 x 3/4	PD11-4		SD11-4	FMSD11-4	
3/8 x 13/16	PD13-4		SD13-4	FMSD13-4	

[1] Swivel Plugs – Eliminates hose twist on end drop applications such as blow guns, air tools, etc.

[2] BL – Locks manual socket against accidental disconnect.  
To order, prefix BL to socket number.

[3] SL – Locks automatic socket against accidental disconnect.  
To order, change FM prefix to SL.

[4] Protective Cover for Safety Series Coupler – Blue - Cat. No. SV4-PC  
For use with "SV4" Sockets



- Superior cushioning effect of Plastisol cover provides better protection for auto, motorcycle, marine, & appliance finishes.
- Flexible protective cover allows normal coupling operation while reducing the entry of contaminants in dirty environments.
- Standard SV couplers with protective covers are less expensive than competitive hard plastic models.

- Profile drawings available at [www.couplers.com](http://www.couplers.com)
- See Page 68 for Specifications, Performance Data, Full Size Templates, and Optional Seal Compounds



# 1/2" One Way Shut-Off - 5 Series



## INDUSTRIAL INTER-CHANGE

- Meets ISO 6150-B
- ANSI(NFPA) T3.20.14-1990
- The SV Series Meets ISO 4414

	Plugs			Manual	Automatic complies with A-A-59439	Safety	Coaxial Plug	Coaxial Coupler
Size	Cat. No.	Cat. No.	Cat. No.	Cat. No.	Cat. No.	Cat. No.	Cat. No.	Cat. No.
Female Thread							The Coaxial safety sockets and plugs are for use on single point injection lubrication systems.	
1/4 FPT	-			4015	FM4015	-		-
3/8 FPT	53-5			5005	FM5005	SV5005		SV5205CA
1/2 FPT	55-5			5205	FM5205	SV5205		-
3/4 FPT	57-5			5405	FM5405	SV5405		-
Male Thread		Free Swivel [1] Under Pressure	Ball Check Plug[2]					
1/4 MPT	50-5			4905	FM4905	-		
3/8 MPT	52-5			5105	FM5105	SV5105		
1/2 MPT	54-5	54S-5	54-5G	5305	FM5305	SV5305	54-5CA	SV5305CA
1/2 MPT [Brass]	54-5B		54-5GB	-	-	-		-
3/4 MPT	56-5			5505	FM5505	SV5505		SV5505CA
Hose Stem (Require Hose Clamps)							[1] Swivel Plugs – Eliminates hose twist for applications such as blow guns, air tools, etc.	
1/4 I.D.	-			5605	FM5605	-	[2] Ball check plugs eliminate hose whip at disconnect by checking the rapid flow of downstream exhaust air	
3/8 I.D.	59-5			5705	FM5705	SV5705	[3] BL – Locks manual socket against accidental disconnect.	
1/2 I.D.	60-5		60-5G	5805	FM5805	SV5805	To order, prefix BL to socket number.	
1/2 I.D. [Brass]	60-5B			-	-	-	[4] SL – Locks automatic socket against accidental disconnect.	
3/4 I.D.	61-5			5905	FM5905	SV5905	To order, change FM prefix to SL.	
Push-On Hose Stem							[5] Protective Cover for Safety Series Coupler – Yellow Cat. No. SV5-PC – For use with "SV5" Sockets	
3/8 I.D.	71-5			-	-	-		
1/2 I.D.	81-5			1815	FM1815			
1/2 I.D. [Brass]	81-5B			-	-			
Reusable Hose Clamp ID x OD							<ul style="list-style-type: none"> <li>• Superior cushioning effect of Plastisol cover provides better protection for auto, motorcycle, marine, &amp; appliance finishes.</li> <li>• Flexible protective cover allows normal coupling operation while reducing the entry of contaminants in dirty environments.</li> <li>• Standard SV couplers with protective covers are less expensive than competitive hard plastic models, plus they eliminate the need to stock both standard and plastic bodied couplers.</li> </ul>	
1/4 x 1/2	PB3-5							
1/4 x 9/16	PB5-5							
1/4 x 5/8	PB7-5							
1/4 x 11/16	PB9-5							
3/8 x 5/8	PD7-5			SD7-5	FM5SD7-5			
3/8 x 11/16	PD9-5			SD9-5	FM5SD9-5			
3/8 x 3/4	PD11-5			SD11-5	FM5SD11-5			
3/8 x 13/16	PD13-5			SD13-5	FM5SD13-5			
1/2 x 13/16	PP13-5			SP13-5	FM5SP13-5			
1/2 x 7/8	PP15-5			SP15-5	FM5SP15-5			
1/2 x 15/16	PP17-5			SP17-5	FM5SP17-5			
1/2 x 1	PP19-5			SP19-5	FM5SP19-5			

- Profile drawings available at [www.couplers.com](http://www.couplers.com)
- See Page 68 for Specifications, Performance Data, Full Size Templates, and Optional Seal Compounds

COUPLERS & ACCESSORIES

CLAMPING PRODUCTS

COUPLER SPEC'S & LAYOUTS

TECHNICAL DATA

INDEX



# 3/4" One Way Shut-Off – 6 Series

## INDUSTRIAL INTERCHANGE

- Meets ISO 6150-B
- ANSI(NFPA) T3.20.14-1990
- The SV Series Meets ISO 4414



Size	Cat. No.	Cat. No.	Cat. No.	Cat. No.	Cat. No.
Female Thread		 SL optional [1]		The Coaxial safety sockets and plugs are for use on single point injection lubrication systems.	
1/2" FPT	65-6	FM6206	–	–	–
3/4" FPT	67-6	FM6406	SV6406		SV6406CA
1" FPT	69-6	FM6606	SV6606		–
Male Thread					
1/2" MPT	64-6	FM6306	–	64-6CA	–
3/4" MPT	66-6	FM6506	SV6506	66-6CA	SV6506CA
1" MPT	68-6	FM6706	SV6706	–	–
Hose Stem (Require Hose Clamps)				[1] SL – Locks automatic socket against accidental disconnect. To order, change FM prefix to SL.	
1/2" I.D.	70-6	FM6806	–		
3/4" I.D.	71-6	FM6906	SV6906		
1" I.D.	72-6	FM7006	–		

- Profile drawings available at [www.couplers.com](http://www.couplers.com)
- See Page 68 for Specifications, Performance Data, Full Size Templates



**Type:**  
One Way Shut-Off

**Working Pressure:**  
300 PSIG

**Operation:**  
Automatic Push to Connect



Size	Cat. No.	Lincoln No.	Cat. No.	Lincoln No.	Cat. No.
<b>Female Thread</b>					
1/8 FPT	LN13	-	LN2803	-	LN2803M
1/4 FPT	LN11	11661	LN3003	815	LN3003M
3/8 FPT	-	-	LN3203	-	LN3203M
<b>Male Thread</b>					
1/8 MPT	LN12	11660	LN2903	-	LN2903M
1/4 MPT	LN10	11659	LN3103	-	LN3103M
3/8 MPT	-	-	LN3303	-	LN3303M
<b>Hose Stem (Require Hose Clamps)</b>					
1/4 I.D.	-	-	LN3603	-	LN3603M
5/16 I.D.	-	-	LN3653	-	-
3/8 I.D.	-	-	LN3703	-	LN3703M
<b>Push-On Hose Stem</b>					
1/4 I.D.	-	-	LN1513	-	-
3/8 I.D.	-	-	LN1713	-	-
<b>Reusable Hose Clamp - ID x OD</b>					
1/4 x 1/2	-	-	LNSB3	-	-
1/4 x 9/16	-	-	LNSB5	-	-
1/4 x 5/8	-	-	LNSB7	-	-
1/4 x 11/16	-	-	LNSB9	-	-
5/16 x 9/16	-	-	LN5C5	-	-
5/16 x 5/8	-	-	LN5C7	-	-
3/8 x 5/8	-	-	LNSD7	-	-
3/8 x 11/16	-	-	LNSD9	-	-
3/8 x 3/4	-	-	LNSD11	-	-
3/8 x 13/16	-	-	LNSD13	-	-

- Profile drawings available at [www.couplers.com](http://www.couplers.com)
- See Page 69 for Full Size Templates and Optional Seal Compounds

## Non-Standard Interchange Design

### Interchangeable Couplers For Non-Standard Designs

As various manufacturers started to offer quick detachable couplers, most of them entered the market with their own design, which was different from their competitors. There was very little interchangeability from one brand to another. Efforts to correct this problem began about 50 years ago with the creation of a military specification (MIL-C-4109) for One Way Shut-Off couplers. This design is now the most commonly used and is referred to as the standard industrial interchange.

Two Way Shut-Off designs are also being standardized, based on ISO dimensions. However, there are still many different Two Way designs, most of which vary by application. Although there is no organizational standard governing the design of Straight-Thru couplers, a standard industrial design (Foster Series FST) has developed from usage.

On the catalog pages following, Foster offers couplers that will interchange with many of these non-standard designs.



[Interchange with Schrader Standard & Heavy Duty] **SHD Series**

**Type:**  
One Way Shut-Off  
**Working Pressure:**  
300 PSIG  
**Operation:**  
Auto. Push to Connect;  
Twist-to-release

	Plugs		Automatic Sockets		Plugs		Automatic Sockets	
		<b>SHD3 Series 1/4"</b>				<b>SHD5 Series 1/2"</b>		
Size	Cat. No.	Schrader No.	Cat. No.	Schrader No.	Cat. No.	Schrader No.	Cat. No.	Schrader No.
<b>Female Thread</b>								
1/8 FPT	SHD13	2047	SHD2803	-	-	-	-	-
1/8 FPT [303 Stainless]	-	-	SHD2803S/S	-	-	-	-	-
1/4 FPT	SHD11	8278-11	SHD3003	8052C-12	-	-	SHD4015	1054-12
1/4 FPT [303 Stainless]	SHD11S/S	-	SHD3003S/S	-	-	-	-	-
3/8 FPT	-	-	SHD3203	-	SHD53	1096-11	SHD5005	1095-12
3/8 FPT [303 Stainless]	-	-	SHD3203S/S	-	-	-	-	-
1/2 FPT	-	-	-	-	-	-	SHD5205	1461-12
3/4 FPT	-	-	-	-	-	-	SHD5405	1462-12
<b>Male Thread</b>								
1/8 MPT	SHD12	8051-11	SHD2903	-	-	-	-	-
1/8 MPT [303 Stainless]	-	-	SHD2903S/S	-	-	-	-	-
1/4 MPT	SHD10	8050-11	SHD3103	3060C-12	SHD50	8624-11	SHD4905	-
1/4 MPT [303 Stainless]	SHD10S/S	-	SHD3103S/S	-	-	-	-	-
3/8 MPT	-	-	SHD3303	3061C-12	SHD52	1095-11	SHD5105	3080-12
3/8 MPT [303 Stainless]	-	-	SHD3303S/S	-	-	-	-	-
1/2 MPT	-	-	-	-	SHD54	1461-11	SHD5305	3081-12
3/4 MPT	-	-	-	-	-	-	SHD5505	-
<b>Hose Stem (Require Hose Clamps)</b>								
1/4 I.D.	SHD16	8787-11	SHD3603	-	-	-	SHD5605	-
1/4 I.D. [303 Stainless]	-	-	SHD3603S/S	-	-	-	-	-
5/16 I.D.	-	-	SHD3653	-	-	-	-	-
3/8 I.D.	SHD17	8788-11	SHD3703	-	SHD59	1097-11	SHD5705	-
3/8 I.D. [303 Stainless]	-	-	SHD3703S/S	-	-	-	-	-
1/2 I.D.	-	-	-	-	SHD60	1098-11	SHD5805	-
3/4 I.D.	-	-	-	-	-	-	SHD5905	-
<b>Push-On Hose Stem</b>								
1/4 I.D.	SHD51	-	SHD1513	-	-	-	-	-
3/8 I.D.	-	-	SHD1713	-	-	-	-	-
1/2 I.D.	-	-	-	-	-	-	SHD1815	-
<b>Reusable Hose Clamp - ID x OD</b>								
1/4 x 1/2	-	-	SHDSB33	-	-	-	-	-
1/4 x 1/2 [303 Stainless]	-	-	SHDSB33S/S	-	-	-	-	-
1/4 x 9/16	-	-	SHDSB53	-	-	-	-	-
1/4 x 5/8	-	-	SHDSB73	-	-	-	-	-
1/4 x 5/8 [303 Stainless]	-	-	SHDSB73S/S	-	-	-	-	-
1/4 x 11/16	-	-	SHDSB93	-	-	-	-	-
5/16 x 9/16	-	-	SHDSC53	-	-	-	-	-
5/16 x 5/8	-	-	SHDSC73	-	-	-	-	-
3/8 x 5/8	-	-	SHDSD73	-	-	-	SHDSD75	-
3/8 x 11/16	-	-	SHDSD93	-	-	-	SHDSD95	-
3/8 x 3/4	-	-	SHDSD113	-	-	-	SHDSD115	-
3/8 x 13/16	-	-	SHDSD133	-	-	-	SHDSD135	-
1/2 x 13/16	-	-	-	-	-	-	SHDSD135	-
1/2 x 7/8	-	-	-	-	-	-	SHDSD135	-
1/2 x 15/16	-	-	-	-	-	-	SHDSD135	-
1/2 x 1	-	-	-	-	-	-	SHDSD135	-

- Profile drawings available at [www.couplers.com](http://www.couplers.com)
- See Page 69 for Full Size Templates
- See Page 68 Optional Seal Compounds



**SOCKET DUST PLUG -**  
Cat. No. SHD-DP  
(For 1/4" Sockets)

# FRL Series [Interchange with Hansen 2RL & 3RL Series]



**Type:**

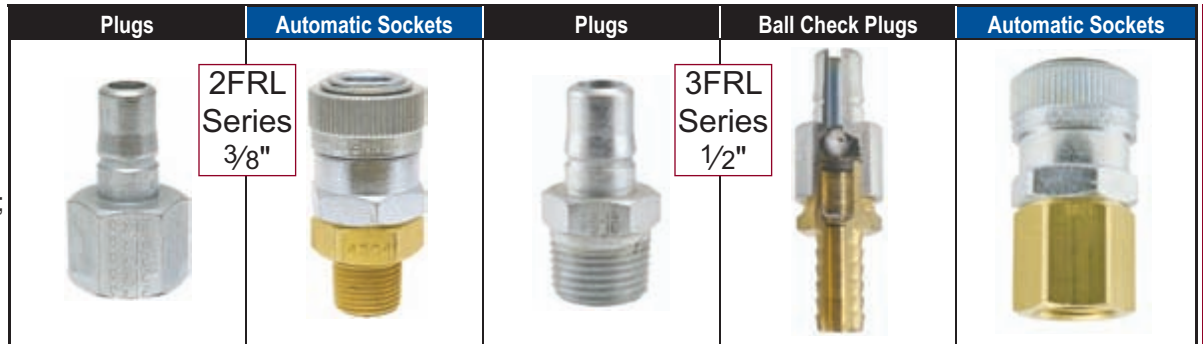
One Way Shut-Off

**Working Pressure:**

300 PSIG

**Operation:**

Auto. Push to Connect;  
Twist-to-release



Size	Cat. No.	Hansen No.	Cat. No.	Hansen No.	Cat. No.	Hansen No.	Cat. No.	Hansen No.	Cat. No.	Hansen No.
<b>Female Thread</b>										
1/4 FPT	2L41	2-L16	2R4004	2-R16	3L51	3-L16			3R4015	3-R16
3/8 FPT	2L43	2-L21	2R4204	2-R21	-	-	-	-	3R5005	3-R21
1/2 FPT	2L45	2-L26	2R4404	2-R26	3L55	3-L26	-	-	3R5205	3-R26
3/4 FPT	-	-	-	-	3L57	3-L31			3R5405	3-R31
<b>Male Thread</b>										
1/8 MPT	2L38	2-L10	-	-	-	-			-	-
1/4 MPT	2L40	2-L15	2R4104	2-R15	3L50	3-L15			3R4905	3-R15
3/8 MPT	2L42	2-L20	2R4304	2-R20	3L52	3-L20	-	-	3R5105	3-R20
1/2 MPT	2L44	2-L25	2R4504	2-R25	3L54	3-L25			3R5305	3-R25
3/4 MPT	-	-	-	-	3L56	3-L30			3R5505	3-R30
<b>Hose Stem (Require Hose Clamps)</b>										
1/4 I.D.	2L46	2-L17	2R4604	2-R17	3L58	3-L17			3R5605	3-R17
5/16 I.D.	-	-	2R4704	2-R195	-	-	-	-	-	-
3/8 I.D.	2L48	2-L22	2R4804	2-R22	3L59	3-L22			3R5705	3-R22
1/2 I.D.	2L49	2-L27	2R4904	2-R27	3L60	3-L27	3L60G	3-L27G	3R5805	3-R27
3/4 I.D.	-	-	-	-	3L61	3-L32	3L61G	3-L32G	3R5905	3-R32
<b>Push-On Hose Stem</b>										
3/8 I.D.	-	-	2R1714	-	-	-	-	-	-	-
1/2 I.D.	-	-	2R1814	-	-	-	-	-	3R1815	-
<b>Reusable Hose Clamp ID x OD</b>										
3/8 x 5/8	2LPD7	2-L23D7	2RSD7	2-R23D7					3RSD7	3-R23D7
3/8 x 11/16	2LPD9	2-L23D9	2RSD9	2-R23D9					3RSD9	3-R23D9
3/8 x 3/4	2LPD11	2-L23D11	2RSD11	2-R23D11	-	-	-	-	3RSD11	3-R23D11
3/8 x 13/16	2LPD13	2-L23D13	2RSD13	2-R23D13					3RSD13	3-R23D13
1/2 x 13/16	2LPP13	2-L28P13							3RSP13	3-R28P13
1/2 x 7/8	2LPP15	2-L28P15							3RSP15	3-R28P15
1/2 x 15/16	2LPP17	2-L28P17							3RSP17	3-R28P17
1/2 x 1	2LPP19	2-L28P19							3RSP19	3-R28P19

- Profile drawings available at [www.couplers.com](http://www.couplers.com)
- See Page 69 for Full Size Templates
- See Page 68 for Optional Seal Compounds

COUPLERS & ACCESSORIES

CLAMPING PRODUCTS

COUPLER SPEC'S & LAYOUTS

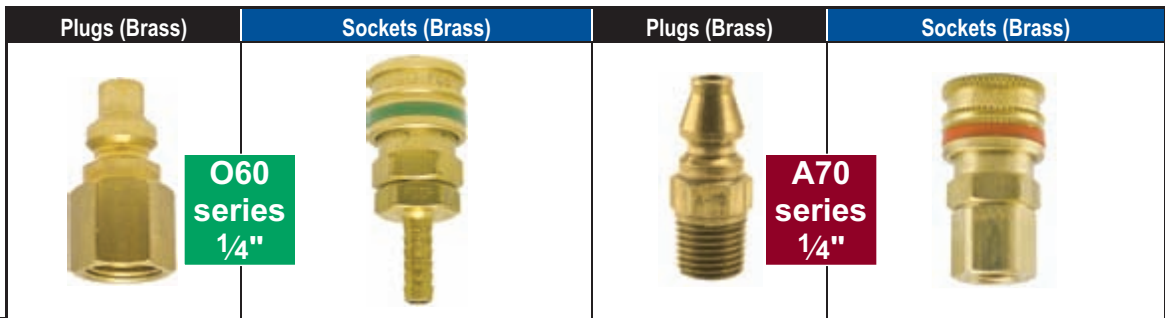
TECHNICAL DATA

INDEX



# [Interchange with Hansen 600 & 700 Series] **O60 & A70 Series**

**Type:**  
One Way Shut-Off  
**Working Pressure:**  
300 PSIG  
**Operation:**  
Manual - socket sleeve must be retracted to connect and disconnect



Size	Cat. No.	Hansen No.	Std. Cat. No.	Hansen No.	Ball Lock Cat. No.	Cat. No.	Hansen No.	Std. Cat. No.	Hansen No.	Ball Lock Cat. No.
<b>Female Thread</b>										
1/8 FPT	-	-	O-2803	GR-600	BLO-2803	-	-	A-2803	RD-700	BLA-2803
1/4 FPT	O-11	02	O-3003	GR-602	BLO-3003	A-11	A2	A-3003	RD-702	BLA-3003
3/8 FPT	-	-	O-3203	GR-604	BLO-3203	-	-	A-3203	RD-704	BLA-3203
<b>Male Thread</b>										
1/8 MPT	O-12	01	O-2903	GR-601	BLO-2903	A-12	A1	A-2903	RD-701	BLA-2903
1/4 MPT	O-10	03	O-3103	GR-603	BLO-3103	A-10	A3P	A-3103	RD-703	BLA-3103
3/8 MPT	-	-	O-3303	GR-605	BLO-3303	-	-	A-3303	RD-705	BLA-3303
<b>Hose Stem (Require Hose Clamps)</b>										
1/4 I.D.	O-16	07	O-3603	GR-606	BLO-3603	A-16	A7	A-3603	RD-706	BLA-3603
5/16 I.D.	-	-	O-3653	GR-607	BLO-3653	-	-	A-3653	RD-707	BLA-3653
3/8 I.D.	O-17	09	O-3703	GR-608	BLO-3703	A-17	A9	A-3703	RD-708	BLA-3703
<b>Push-On Hose Stem</b>										
1/4 I.D.	-	-	O-1513	GR-606P	BLO-1513	-	-	A-1513	RD-706P	BLA-1513
3/8 I.D.	-	-	O-1713	GR-608P	BLO-1713	-	-	A-1713	RD-708P	BLA-1713
<b>Reusable Hose Clamp ID x OD</b>										
1/4 x 1/2	-	-	O-SB3	GR-6-OB3	BLO-SB3	-	-	A-SB3	RD-7-OB3	BLA-SB3
1/4 x 9/16	-	-	O-SB5	GR-6-OB5	-	-	-	A-SB5	RD-7-OB5	-
1/4 x 5/8	-	-	O-SB7	GR-6-OB7	-	-	-	A-SB7	RD-7-OB7	-
1/4 x 11/16	-	-	O-SB9	GR-6-OB9	-	-	-	A-SB9	RD-7-OB9	-
5/16 x 9/16	-	-	O-SC5	GR-6-OC5	-	-	-	A-SC5	RD-7-OC5	-
5/16 x 5/8	-	-	O-SC7	GR-6-OC7	-	-	-	A-SC7	RD-7-OC7	-
3/8 x 5/8	-	-	O-SD7	GR-6-OD7	-	-	-	A-SD7	RD-7-OD7	BLA-SD7
3/8 x 11/16	-	-	O-SD9	GR-6-OD9	BLO-SD9	-	-	A-SD9	RD-7-OD9	-
3/8 x 3/4	-	-	O-SD11	GR-6-OD11	-	-	-	A-SD11	RD-7-OD11	-
3/8 x 13/16	-	-	O-SD13	GR-6-OD13	-	-	-	A-SD13	RD-7-OD13	-

## COLOR CODED SOCKETS

**■ O60 – GREEN SLEEVE BAND • OXYGEN SERVICE**      **■ A70 – RED SLEEVE BAND • ACETYLENE SERVICE**  
*When used for oxygen/acetylene service, order with BL to comply with OSHA Std. 1915.55(f)(5).*

**Options:** **BL** – Locks manual socket against accidental disconnect. To connect, align ball with slot. After connection, rotate sleeve to lock. To disconnect, realign ball with slot and retract sleeve. **To order, prefix BL to socket catalog number.**

- Profile drawings available at [www.couplers.com](http://www.couplers.com)
- See Page 69 for Specifications, Performance Data, Full Size Templates
- See Page 68 for Optional Seal Compounds

# 210 & 310 Series [Interchange with ARO 210 & 310]



**Type:**

One Way Shut-Off

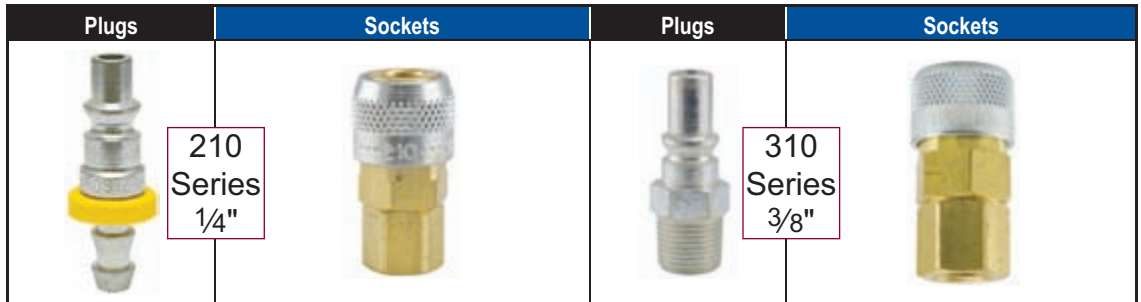
**Working Pressure:**

300 PSIG

**Operation:**

Manual - socket sleeve must be retracted to connect and disconnect

Auto. Push to Connect



Size	Plugs		Sockets			Plugs		Sockets		
	Cat. No.	ARO No.	Automatic Cat. No.	Manual Cat. No.	ARO No.	Cat. No.	ARO No.	Automatic Cat. No.	Manual Cat. No.	ARO No.
<b>Female Thread</b>										
1/8 FPT	-	-	210-2803	210M-2803	210-201	-	-	-	-	-
1/8 FPT [Nickel Plated]	-	-	-	210M-2803NP	-	-	-	-	-	-
1/8 FPT [303 Stainless]	-	-	210-2803S/S	210M-2803S/S	-	-	-	-	-	-
1/4 FPT	210-11	2609	210-3003	210M-3003	210	-	-	310-4004	310M-4004	310-200
1/4 FPT [Nickel Plated]	-	-	-	210M-3003NP	-	-	-	-	-	-
1/4 FPT [303 Stainless]	210-11S/S	-	210-3003S/S	210M-3003S/S	-	-	-	-	-	-
3/8 FPT	-	-	210-3203	210M-3203	210-203	310-43	3806	310-4204	310M-4204	310
3/8 FPT [Nickel Plated]	-	-	-	-	-	-	-	-	310M-4204NP	-
3/8 FPT [303 Stainless]	-	-	210-3203S/S	210M-3203S/S	-	-	-	-	-	-
1/2 FPT	-	-	-	-	-	-	-	310-4404	310M-4404	-
<b>Male Thread</b>										
1/8 MPT	210-12	2607	210-2903	210M-2903	210-211	-	-	-	-	-
1/8 MPT [Nickel Plated]	-	-	-	210M-2903NP	-	-	-	-	-	-
1/8 MPT [303 Stainless]	-	-	210-2903S/S	210M-2903S/S	-	-	-	-	-	-
1/4 MPT	210-10	2608	210-3103	210M-3103	210-212	-	-	310-4104	310M-4104	310-212
1/4 MPT [Nickel Plated]	-	-	-	210M-3103NP	-	-	-	-	-	-
1/4 MPT [303 Stainless]	210-10S/S	-	210-3103S/S	210M-3103S/S	-	-	-	-	-	-
3/8 MPT	-	-	210-3303	210M-3303	210-213	310-42	3804	310-4304	310M-4303	310-313
1/4 MPT [Nickel Plated]	-	-	-	-	-	-	-	-	310M-4304NP	-
3/8 MPT [303 Stainless]	-	-	210-3303S/S	210M-3303S/S	-	-	-	-	-	-
1/2 MPT	-	-	-	-	-	-	-	310-4504	310M-4504	-
<b>Hose Stem (Require Hose Clamps)</b>										
1/4 I.D.	210-16	3946	210-3603	210M-3603	210-022	-	-	310-4604	310M-4604	310-022
1/4 I.D. [Nickel Plated]	-	-	-	210M-3603NP	-	-	-	-	-	-
1/4 I.D. [303 Stainless]	-	-	210-3603S/S	210M-3603S/S	-	-	-	-	-	-
5/16 I.D.	210-165	-	210-3653	210M-3653	210-223	-	-	310-4704	310M-4704	310-023
5/16 I.D. [Nickel Plated]	-	-	-	210M-3653S/S	-	-	-	-	-	-
3/8 I.D.	210-17	22238	210-3703	210M-3703	210-215	310-48	3807	310-4804	310M-4804	310-222
3/8 I.D. [Nickel Plated]	-	-	-	-	-	-	-	-	310M-4804NP	-
3/8 I.D. [303 Stainless]	-	-	210-3703S/S	210M-3703S/S	-	-	-	-	-	-
1/2 I.D.	-	-	-	-	-	310-49	3871	310-4904	310M-4904	-
<b>Push-On Hose Stem</b>										
1/4 I.D.	210-51	6944	210-1513	-	210-227	-	-	-	-	-
3/8 I.D.	-	-	210-1713	-	210-028	-	-	310-1714	-	310-028
1/2 I.D.	-	-	-	-	-	-	-	310-1814	-	-
<b>Reusable Hose Clamp ID x OD</b>										
1/4 x 1/2	-	-	210-SB3	-	-	-	-	310-SB3	-	-
1/4 x 1/2 [303 Stainless]	-	-	210-SB3S/S	-	-	-	-	-	-	-
1/4 x 9/16	-	-	210-SB5	-	-	-	-	310-SB5	-	-
1/4 x 5/8	-	-	210-SB7	-	-	-	-	310-SB7	-	-
1/4 x 5/8 [303 Stainless]	-	-	210-SB7S/S	-	-	-	-	-	-	-
1/4 x 11/16	-	-	210-SB9	-	-	-	-	310-SB9	-	-
5/16 x 9/16	-	-	210-SC5	-	-	-	-	-	-	-
5/16 x 5/8	-	-	210-SC7	-	-	-	-	-	-	-
3/8 x 5/8	-	-	210-SD7	-	-	-	-	310-SD7	-	-
3/8 x 11/16	-	-	210-SD9	-	-	-	-	310-SD9	-	-
3/8 x 3/4	-	-	210-SD11	-	-	-	-	310-SD11	-	-
3/8 x 13/16	-	-	210-SD13	-	-	-	-	310-SD13	-	-

- Profile drawings available at [www.couplers.com](http://www.couplers.com)
- Call factory for nickel plating on additional items
- See Page 69 for Specifications, Performance Data, Full Size Templates
- See Page 68 for Optional Seal Compounds

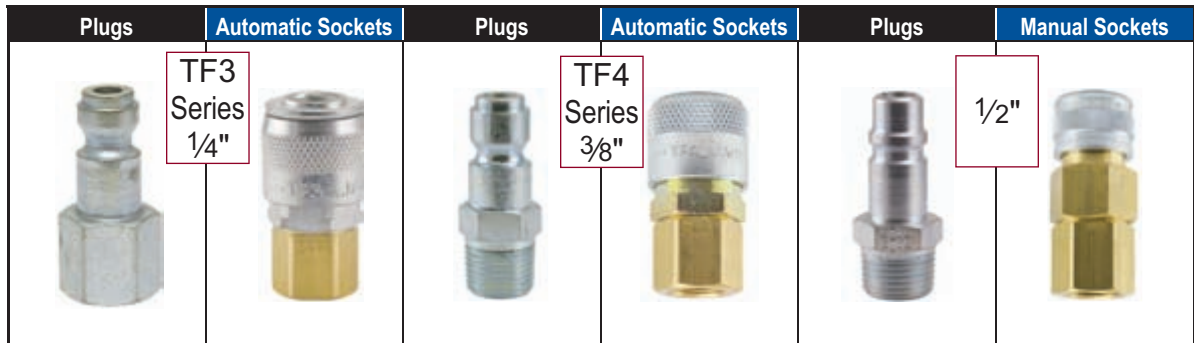


# TF Series [Interchange with Parker TRU-FLATE Series 10]

**Type:**  
One Way Shut-Off

**Working Pressure:**  
300 PSIG

**Operation:**  
Automatic Push to Connect;  
1/4" Sockets have Safety Sleeve Guard



Size	Cat. No.	Parker No.	Cat. No.	Parker No.	Cat. No.	Parker No.	Cat. No.	Parker No.	Cat. No.	Parker No.	Cat. No.	Parker No.
<b>Female Thread</b>												
1/8 FPT	TF13	1C	TF2803	B13A	-	-	-	-	-	-	-	-
1/4 FPT	TF11	3C	TF3003	B13	TF41	1E	TF4004	15C	-	-	4015	-
1/4 FPT [Brass with Steel Valve]	-	-	SGTF3003	-	-	-	-	-	-	-	-	-
3/8 FPT	TF15	3C-E	TF3203	B13E	TF43	3E	TF4204	15	53-5	1F	5005	17E
1/2 FPT	-	-	-	-	-	-	TF4404	15F	55-5	3F	5205	17
3/4 FPT	-	-	-	-	-	-	-	-	57-5	H3F-G	5405	17G
<b>Male Thread</b>												
1/8 MPT	TF12	0C	TF2903	B12A	-	-	-	-	-	-	-	-
1/4 MPT	TF10	2C	TF3103	B12	TF40	0E	TF4104	14C	50-5	-	4905	-
1/4 MPT [Brass with Steel Valve]	-	-	SGTF3103	-	-	-	-	-	-	-	-	-
3/8 MPT	TF14	2C-E	TF3303	B12E	TF42	2E	TF4304	14	52-5	0F	5105	16E
1/2 MPT	-	-	-	-	-	-	TF4504	14F	54-5	2F	5305	16
1/2 MPT [Brass]	-	-	-	-	-	-	-	-	54-5B	-	-	-
3/4 MPT	-	-	-	-	-	-	-	-	56-5	H2F-G	5505	16G
<b>Hose Stem (Requires Hose Clamps)</b>												
1/4 I.D.	TF16	8C	TF3603	B10-3B	-	-	TF4604	-	-	-	5605	-
5/16 I.D.	TF165	8C-D	TF3653	-	-	-	TF4704	-	-	-	-	-
3/8 I.D.	TF17	9C	TF3703	B10-5B	TF48	5E	TF4804	14-5B	59-5	4F	5705	16-5B
1/2 I.D.	-	-	-	-	-	-	TF4904	14-6B	60-5	5F	5805	16-6B
1/2 I.D. [Brass]	-	-	-	-	-	-	-	-	60-5B	-	-	-
3/4 I.D.	-	-	-	-	-	-	-	-	61-5	H5F-G	5905	16-7B
<b>Push-On Hose Stem</b>												
3/8 I.D.	TF71	9CP	TF1713	B10-5BP	-	-	TF1714	14-5BP	71-5	H4FP	-	-
1/2 I.D.	-	-	-	-	-	-	TF1814	-	81-5	H5FP	1815	16-6BP
1/2 I.D. [Brass]	-	-	-	-	-	-	-	-	81-5B	-	-	-
<b>Reusable Hose Clamp ID x OD</b>												
1/4 x 1/2	TFPB3	-	TFSB3	-	-	-	TFSB34	-	-	-	-	-
1/4 x 9/16	TFPB5	-	TFSB5	-	-	-	TFSB54	-	-	-	-	-
1/4 x 5/8	TFPB7	-	TFSB7	-	-	-	TFSB74	-	-	-	-	-
1/4 x 11/16	TFPB9	-	TFSB9	-	-	-	TFSB94	-	-	-	-	-
5/16 x 9/16	-	-	TFSC5	-	-	-	-	-	-	-	-	-
5/16 x 5/8	-	-	TFSC7	-	-	-	-	-	-	-	-	-
3/8 x 5/8	-	-	TFSD7	-	-	-	TFSD74	-	-	-	SD7-5	-
3/8 x 11/16	-	-	TFSD9	-	-	-	TFSD94	-	-	-	SD9-5	-
3/8 x 3/4	-	-	TFSD11	-	-	-	TFSD114	-	-	-	SD11-5	-
3/8 x 13/16	-	-	TFSD13	-	-	-	TFSD134	-	-	-	SD13-5	-
1/2 x 13/16	-	-	-	-	-	-	-	-	-	-	SP13-5	-
1/2 x 7/8	-	-	-	-	-	-	-	-	-	-	SP15-5	-
1/2 x 15/16	-	-	-	-	-	-	-	-	-	-	SP17-5	-
1/2 x 1	-	-	-	-	-	-	-	-	-	-	SP19-5	-





- Profile drawings available at [www.couplers.com](http://www.couplers.com)
- See Page 69 for Full Size Templates
- See Page 68 Optional Seal Compounds



# Two Way Shut-Off - ISO A Series








Conforms with  
ISO 7241-1,  
Series A

		Plugs	Plug Dust Caps	Sockets	Socket Dust Plugs
					
Body	Thread Size	Cat. No.	Material: Red Rubber Cat. No.	Cat. No.	Material: Red Rubber Cat. No.
1/4	1/4 FPT	AM15-04	A04DC	AF15-04	A04DP
3/8	3/8 FPT	AM15-06	A06DC	AF15-06	A06DP
1/2	1/2 FPT	AM15-08	A08DC	AF15-08	A08DP
3/4	3/4 FPT	AM15-12	A12DC	AF15-12	A12DP
1	1 FPT	AM15-16	A16DC	AF15-16	A16DP

- See Page 70 for Specifications, Performance Data, Full Size Templates
- See Page 76 for Optional Seal Compounds

# FHK Series - Two Way Shut-Off

Industrial  
Interchange  
Conforms with  
ISO 7241-1,  
Series B

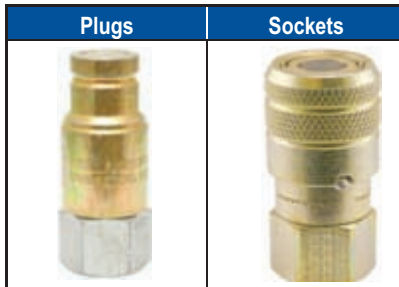
		Plugs			Plug Dust Caps	Sockets			Socket Dust Plug	Socket Dust Plugs
										
Size	Thread Size	Steel Cat. No.	Brass Cat. No.	303 S/S Cat. No.	Material: Blue Rubber Cat. No.	Steel Cat. No.	Brass Cat. No.	303 S/S Cat. No.	Aluminum Cat. No.	Material: Blue Rubber Cat. No.
1/8"	1/8 FPT	K1S	K1B	K1S/S	B1DC	H1S	H1B	H1S/S	H1DP	B1DP
	7/16-20*	K1S4	-	-	-	H1S4	-	-	H1DP4	-
1/4"	1/4 FPT	K2S	K2B	K2S/S	B2DC	H2S	H2B	H2S/S	H2DP	B2DP
	9/16-18*	K2S6	-	-	-	H2S6	-	-	H2DP6	-
3/8"	3/8 FPT	K3S	K3B	K3S/S	B3DC	H3S	H3B	H3S/S	H3DP	B3DP
	3/4-16*	K3S8	-	-	-	H3S8	-	-	H3DP8	-
1/2"	1/2 FPT	K4S	K4B	K4S/S	B4DC	H4S	H4B	H4S/S	H4DP	B4DP
	7/8-14*	K4S10	-	-	-	H4S10	-	-	H4DP10	-
3/4"	3/4 FPT	K6S	K6B	K6S/S	B6DC	H6S	H6B	H6S/S	H6DP	B6DP
	1-1/16-12*	K6S12	-	-	-	H6S12	-	-	H6DP12	-
1"	1 FPT	K8S	K8B	K8S/S	B8DC	H8S	H8B	H8S/S	H8DP	B8DP
	1-5/16-12*	K8S16	-	-	-	H8S16	-	-	H8DP16	-

- SAE straight thread O-ring seal boss
- Profile drawings available at [www.couplers.com](http://www.couplers.com)
- See Page 71 for Specifications, Performance Data, and Full Size Templates
- See Page 76 for Optional Seal Compounds



# Flush Face Hydraulic Couplers – FF Series

- Conforms with:**
- HTMA requirements
  - ISO 16028



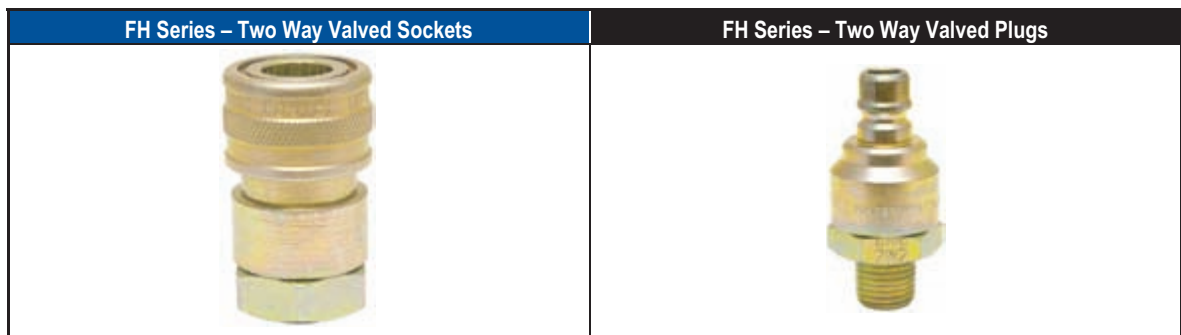
The FF Series couplers are a two way shut-off hydraulic coupler. Typical applications include portable hydraulic tools, railway and construction maintenance equipment, utility company field equipment and general purpose hydraulic service. The flush face technology provides for ease of cleaning, minimal air inclusion and minimal fluid loss. The arrow stamped on the coupler indicates the direction of flow for installation purposes.

- Plugs with 3/4" FPT and 3/8", 1/2", 3/4" MPT available upon request.
- Profile drawings available at [www.couplers.com](http://www.couplers.com)
- See Page 73 for Specifications, Performance Data, Full Size Templates

Body	Thread Size	Cat. No.*	Cat. No.
3/8"	3/8 FPT	FFP06-06F	FFS06-06
	1/2 FPT	FFP06-08F	FFS06-08

## FH & FIH Series [Interchange with Snap-Tite H & IH Series]

### FH Series



Size	FH Series – Two Way Valved Sockets				FH Series – Two Way Valved Plugs			
	Steel Cat. No.	Snap-Tite	Brass Cat. No.	Snap-Tite	Steel Cat. No.	Snap-Tite	Brass Cat. No.	Snap-Tite
<b>Female Thread</b>								
1/4 FPT	FHS2F2	VHC4-4F	FHS2F2B	BVHC4-4F	FHP2F2	VHN4-4F	FHP2F2B	BVHN4-4F
3/8 FPT	FHS3F3	VHC6-6F	FHS3F3B	BVHC6-6F	FHP3F3	VHN6-6F	FHP3F3B	BVHN6-6F
1/2 FPT	FHS4F4	VHC8-8F	FHS4F4B	BVHC8-8F	FHP4F4	VHN8-8F	FHP4F4B	BVHN8-8F
<b>Male Thread</b>								
1/4 MPT	FHS2M2	VHC4-4M	FHS2M2B	BVHC4-4M	FHP2M2	VHN4-4M	FHP2M2B	BVHN4-4M
3/8 MPT	FHS3M3	VHC6-6M	FHS3M3B	BVHC6-6M	FHP3M3	VHN6-6M	FHP3M3B	BVHN6-6M
1/2 MPT	FHS4M4	VHC8-8M	FHS4M4B	BVHC8-8M	FHP4M4	VHN8-8M	FHP4M4B	BVHN8-8M

### FH & FIH Series



Size	FIH Series One Way Valved Sockets		FH & FIH Series Un-valved Plugs				FH Series Straight-Thru Sockets, No Valving			
	Steel Cat. No.	Snap-Tite	Steel Cat. No.	Snap-Tite	Brass Cat. No.	Snap-Tite	Steel Cat. No.	Snap-Tite	Brass Cat. No.	Snap-Tite
<b>Female Thread</b>										
1/8 FPT	-	-	FH21F	PHN4-2F	-	-	-	-	-	-
1/4 FPT	FIS2F2	VIHC4-4F	FH22F	PHN4-4F	FH22FB	BPHN4-4F	FHS2	PHC4-4F	FHS2B	BPHC4-4F
3/8 FPT	FIS3F3	VIHC6-6F	FH33F	PHN6-6F	FH33FB	BPHN6-6F	FHS3	PHC6-6F	FHS3B	BPHC6-6F
1/2 FPT	FIS4F4	VIHC8-8F	FH44F	PHN8-8F	FH44FB	BPHN8-8F	FHS4	PHC8-8F	FHS4B	BPHC8-8F
<b>Male Thread</b>										
1/4 MPT	FIS2M2	VIHC4-4M	FH22M	PHN4-4M	FH22MB	BPHN4-4M				
3/8 MPT	FIS3M3	VIHC6-6M	FH33M	PHN6-6M	FH33MB	BPHN6-6M				
1/2 MPT	FIS4M4	VIHC8-8M	FH44M	PHN8-8M	FH44MB	BPHN8-8M				

The FIH Series sockets & plugs are for pneumatic applications. The FIH sockets have a valve with 360° contact with plug.

- Profile drawings available at [www.couplers.com](http://www.couplers.com)
- See Page 72 for Specifications, Performance Data, Full Size Templates
- See Page 76 for Optional Seal Compounds

# Straight-Thru - FST Series



## INDUSTRIAL INTERCHANGE

Plugs				Sockets	
Size	Steel Cat. No.	Brass Cat. No.	303 Stainless Cat. No.	Brass Cat. No.	303 Stainless Cat. No.
Female Thread					
1/8 FPT	-	12FPB	12FPS	12FS	12FSS
1/4 FPT	25FP	25FPB	25FPS	25FS	25FSS
3/8 FPT	38FP	38FPB	38FPS	38FS	38FSS
1/2 FPT	50FP	50FPB	50FPS	50FS	50FSS
3/4 FPT	75FP	75FPB	75FPS	75FS	75FSS
1 FPT	100FP	100FPB	100FPS	100FS	100FSS
1-1/4 FPT	125FP	125FPB	-	125FS	-
1-1/2 FPT	150FP	150FPB	-	150FS	-
Male Thread					
1/8 MPT	12MP	12MPB	12MPS	12MS	-
1/4 MPT	25MP	25MPB	25MPS	25MS	-
3/8 MPT	38MP	38MPB	38MPS	38MS	-
1/2 MPT	50MP	50MPB	50MPS	50MS	-
3/4 MPT	75MP	75MPB	75MPS	75MS	-
1 MPT	100MP	100MPB	100MPS	100MS	-
1-1/4 MPT	125MP	125MPB	-	-	-
1-1/2 MPT	150MP	150MPB	-	-	-
Hose Stem					
1/4 I.D.	25HP	-	-	-	-
3/8 I.D.	-	38HPB	-	38HS	-
1/2 I.D.	-	-	-	50HS	-
3/4 I.D.	-	75HPB	-	-	-

Only Sockets & Plugs with same prefix digits connect together. Example: 25FS & 25MPB

- See Page 74 for Specifications, Performance Data and Full Size Templates
- See Page 76 for Optional Seal Compounds

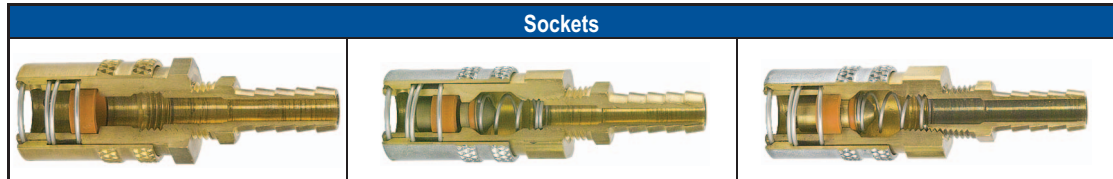
## FJT Series [Interchange with DME Jiffy-Tite - Jiffy-Matic - Parker Moldmate]

Plugs [Female Thread]		Plugs [Male Thread]			FJT Series Brass Extension Plugs			
Female Thread		Male Thread						
Size	Size	Plugs Cat. No.	Size	Plug Cat. No.	Valved Plug	Cat. No.	Series	Pipe Size
1/4"	1/8 FPT	FP251F	-	-	-	FP251X	1/4"	1/8" MPT
	1/8 FPT [Brass]	FP251FB	1/8 MPT [Brass]	FP251		FP252X	1/4"	1/4" MPT
	1/4 FPT	FP252F	1/4 MPT [Steel]	FP252S		FP253X	1/4"	3/8" MPT
	1/4 FPT [Brass]	FP252FB	1/4 MPT [Brass]	FP252		FP352X	3/8"	1/4" MPT
3/8"	3/8 FPT	FP253F	3/8 MPT [Brass]	FP253	-	FP353X	3/8"	3/8" MPT
	1/8 FPT	-	1/8 MPT [Brass]	FP351		FP354X	3/8"	1/2" MPT
	1/4 FPT	FP352F	1/4 MPT [Steel]	FP352S		FP554X	1/2"	1/2" MPT
	1/4 FPT [Brass]	FP352FB	1/4 MPT [Brass]	FP352		Lengths available: 2.5" thru 13" Standard, Call factory for available lengths  To Order: Suffix the catalog part number with the desired length; i.e. FP251x2.5.		
	3/8 FPT	FP353F	-	-				
3/8 FPT [Brass]	FP353FB	3/8 MPT [Brass]	FP353	FP353V				
1/2"	1/2 FPT	-	1/2 MPT [Brass]	FP354	-			
	3/4 FPT	FP556F	3/4 MPT [Brass]	FP556				

- Profile drawings available at [www.couplers.com](http://www.couplers.com)
- See Page 75 for Specifications, Performance Data, Full Size Templates



# FJT Series [Interchange with DME Jiffy-Tite - Jiffy-Matic - Parker Moldmate]



Size (I.D.)		Sockets						
		Straight-Thru		One Way (Valved)		Two Way (Valved)		
		Hose Stem Cat. No.	Push-On Stem Cat. No.	Hose Stem Cat. No.	Push-On Stem Cat. No.	Hose Stem Cat. No.	Push-On Stem Cat. No.	
1/4"	Straight Hose Stem							
	1/4	FS204	FS204P	FS204V	FS204VP			
	5/16	FS205	-	FS205V	-			
	3/8	FS206	FS206P	FS206V	FS206VP			
	45° Hose Stem							
	1/4	FS224	FS224P	FS224V	FS224VP			
	5/16	FS225	-	FS225V	-			
	3/8	FS226	FS226P	FS226V	FS226VP			
	90° Hose Stem							
	1/4	FS214	FS214P	FS214V	FS214VP			
	5/16	FS215	-	FS215V	-			
	3/8	FS216	FS216P	FS216V	FS216VP			
3/8"	Straight Hose Stem							
	3/8	FS306	FS306P	FS306V	FS306VP	FS306V2	FS306VP2	
	1/2	FS308	FS308P	FS308V	FS308VP	FS308V2	FS308VP2	
	45° Hose Stem							
	3/8	FS326	FS326P	FS326V	FS326VP	FS326V2	FS326VP2	
	1/2	FS328	FS328P	FS328V	FS328VP	FS328V2	FS328VP2	
	90° Hose Stem							
	3/8	FS316	FS316P	FS316V	FS316VP	FS316V2	FS316VP2	
	1/2	FS318	FS318P	FS318V	FS318VP	FS318V2	FS318VP2	
	1/2"	Straight Hose Stem						
		1/2	FS504	FS504P				
		3/4	FS506	FS506P				
45° Hose Stem								
1/2		FS524	FS524P					
3/4		FS526	FS526P					
90° Hose Stem								
1/2		FS514	FS514P					
3/4		FS516	FS516P					

Two way sockets and plugs eliminate coolant loss through automatic shut off at disconnect.

Two way plug (FP353V) can be used only with two way sockets.

Regular plugs may be used with either straight-thru or one way sockets.

**NOTE:** Sockets are available without straight or angle hose stems. Catalog numbers and socket body FPT sizes are as follows:

**NOTE:** Catalog No. FS308 and FS318 are available in a high flow version having a flow of 13.8 GPM.

Cat. No.	FPT
FS200	1/8"
FS200V	1/8"
FS300	1/4"
FS300V	1/4"
FS300V2	1/4"
FS300HF	3/8"
FS500	1/2"

HOSE STEM	PUSH-ON STEM
Cat. No.	Cat. No.
FS308HF	FS308HFP
FS318HF	FS318HFP

- Profile drawings available at [www.couplers.com](http://www.couplers.com)
- See Page 75 for Specifications, Performance Data, Full Size Templates



# Recoil Hose

Polyurethane Recoil Hose				
<p><b>Benefits</b></p> <ul style="list-style-type: none"> <li>Greater durability than Nylon or Hytrel recoil hoses due to exceptional wear characteristics</li> <li>Longer life expectancy due to kink resistant properties</li> <li>Superior recoil memory due to elastic properties</li> <li>Working length is approximately 80-90% of hose length</li> <li>Hoses are pre-assembled with reusable brass fittings reducing assembly time</li> <li>5/32" ID hose is ideal for use with Foster blow guns</li> </ul> <p><b>Temperature Range:</b> -40°F to +125°F</p> <p><b>Working Pressure:</b> 125 PSIG @ 75°F</p> <p><b>Options:</b> Available in Transparent Blue &amp; Yellow</p>	<p>T= Transparent Blue, Y= Yellow</p>			
	Cat. No.	ID x OD	Hose Length	MPT Fittings
	FPR532-10B-T	5/32 x 1/4	10'	1/4" Swivel Both Ends
	FPR532-10B-Y	5/32 x 1/4	10'	1/4" Swivel Both Ends
	FPR14-15A-T	1/4 x 3/8	15'	1/4" Rigid & 1/4" Swivel
	FPR14-15A-Y	1/4 x 3/8	15'	1/4" Rigid & 1/4" Swivel
	FPR14-25A-T	1/4 x 3/8	25'	1/4" Rigid & 1/4" Swivel
	FPR14-25A-Y	1/4 x 3/8	25'	1/4" Rigid & 1/4" Swivel
	FPR38-15A-T	3/8 x 9/16	15'	3/8" Rigid & 3/8" Swivel
	FPR38-15A-Y	3/8 x 9/16	15'	3/8" Rigid & 3/8" Swivel
FPR38-25A-T	3/8 x 9/16	25'	3/8" Rigid & 3/8" Swivel	
FPR38-25A-Y	3/8 x 9/16	25'	3/8" Rigid & 3/8" Swivel	

Spare Reusable Fittings		
Cat. No.	Hose Size	Fitting Type
PSM53204	5/32" x 1/4"	1/4" MPT Swivel
PSM0404	1/4" x 3/8"	1/4" MPT Swivel
PRM0404	1/4" x 3/8"	1/4" MPT Rigid
PSM0606	3/8" x 9/16"	3/8" MPT Swivel
PRM0606	3/8" x 9/16"	3/8" MPT Rigid

Hytrel Recoil Hose		
Hose Size	Cat. No.	Coil Size
1/4 I.D.	FR25*-100	3-3/4" Dia.
3/8 I.D.	FR38*-100	5-3/4" Dia.
1/2 I.D.	FR50*-100	8" Dia.

\* Please specify color when ordering  
 Suffix **B** for Blue, **Y** for Yellow

Hytrel Recoil Hose Fittings						
Hose Size	Thread Size	Male	Free Swivel Under Pressure	Elbow	Female	
		Cat. No.	Cat. No.	Cat. No.	Cat. No.	Cat. No.
1/4 I.D.	1/4 NPT	FR25M	FR25S	FR25L	FR25F	
3/8 I.D.	3/8 NPT	FR38M	FR38S	FR38L	FR38F	
1/2 I.D.	1/2 NPT	FR50M	FR50S	-	-	

**Benefits**

- Impervious to oil, very abrasion resistant
- Recoil memory superior to Nylon
- Working length is approximately 60% of hose length
- Coiled length is 1/30<sup>th</sup> of hose length

**Temperature Range:** -40°F to +125°F

**Working Pressure:** 170 psig @ 76°F

**Options:**

- Color - Light Blue (Suffix - B) and Yellow (Suffix Y for Yellow)
- Available in 100' lengths

Hytrel Recoil Hose Assemblies						
Hose Size	Length	(2) Male FTGS	(2) Swivel FTGS	(1) Swivel (1) Male FTG	(2) Elbow FTGS	(2) Female FTGS
		Cat. No.	Cat. No.	Cat. No.	Cat. No.	Cat. No.
1/4"	6 FT	FR25-6M*	FR25-6S*	FR25-6SM*	FR25-6L*	FR25-6F*
	12 FT	FR25-12M*	FR25-12S*	FR25-12SM*	FR25-12L*	FR25-12F*
	25 FT	FR25-25M*	FR25-25S*	FR25-25SM*	FR25-25L*	FR25-25F*
	50 FT	FR25-50M*	FR25-50S*	FR25-50SM*	FR25-50L*	FR25-50F*
3/8"	6 FT	FR38-6M*	FR38-6S*	FR38-6SM*	FR38-6L*	FR38-6F*
	12 FT	FR38-12M*	FR38-12S*	FR38-12SM*	FR38-12L*	FR38-12F*
	25 FT	FR38-25M*	FR38-25S*	FR38-25SM*	FR38-25L*	FR38-25F*
	50 FT	FR38-50M*	FR38-50S*	FR38-50SM*	FR38-50L*	FR38-50F*
1/2"	12 FT	FR50-12M*	FR50-12S*	FR50-12SM*	-	-
	25 FT	FR50-25M*	FR50-25S*	FR50-25SM*	-	-
	50 FT	FR50-50M*	FR50-50S*	FR50-50SM*	-	-




\* Please specify color when ordering. Suffix **B** for Blue, **Y** for Yellow



# Compressed Air Blow Guns

**Safety  
Controlled-Flow**

**OSHA  
Compliant**

	Lever Operated Handy-Air® Blow Gun	Button Operated Handy-Air® Blow Gun	Nickel Plated Handy-Air® Blow Gun
			
	<b>Cat. No.</b>	<b>Cat. No.</b>	<b>Cat. No.</b>
Pressed – Safety Tip	BG2L-30STP	BG2-30STP	–
Threaded – Safety Tip	BG2L-30STT	BG2-30STT	BG2L-STT
Pressed – Standard Tip	BG2L-30P	BG2-30P	–
Threaded – Standard Tip	BG2L-30T	BG2-30T	–

**Inlet Pressure:** 150 PSIG maximum

**Temperature:** +32° to +180° F

**Flow Safety Tip:** 19.8CFM@100 PSIG

**Flow Standard Tip:** 9.3 CFM@100 PSIG

**Body:** Die cast Zinc:

**Seal:** Buna-N:

**Inlet:** 1/4" FPT

**Safety Tip - Standard Tip** – Handy-Air® models are available with either the standard or ST safety tip, each of which may be ordered pressed or threaded to the gun. The pressed tip is not removable and resists tampering. The threaded tip has a 1/8" NPT male thread. The ST safety tip provides a conical shield of air which encircles blown chips or particles directing them away from the operator.

## Non-Regulated Blow Guns

Standard model blow guns are available for those installations not requiring reduced pressure. These two die cast models are not OSHA compliant.

*Cat. No. BG2 (Button Operated)*






*Cat. No. BG2L (Lever Operated)*

**Safety  
Controlled- Flow**

**OSHA  
Compliant**

**1/4" FPT Inlet**

	Pistol Grip Blow Gun
	
	<b>Cat. No.</b>
Pressed Safety Tip	PG2P
Threaded Safety Tip	PG2T

Blowgun Accessories		
Item	Cat. No.	Description
12" Extension	EX12	
		<ul style="list-style-type: none"> <li>Permanent extension.</li> <li>Employs same tip as gun.</li> <li>Dynamic and static pressures same as gun installed on.</li> </ul>
10" Extension	EX10DH	
		<ul style="list-style-type: none"> <li>Removable extension, push on, twist off.</li> <li>Durable tubing with female tapered fitting.</li> <li>Fits snugly on standard or safety tip.</li> </ul>
Rubber Tip	EX2RT	 <ul style="list-style-type: none"> <li>Protects delicate parts from damage</li> <li>Blowguns with rubber tip will not comply with OSHA requirements.</li> <li>Installs on all threaded blowguns with 1/8" NPT</li> </ul>
Standard Safety Tip	EX2	 <ul style="list-style-type: none"> <li>High flow safety nozzle for general dusting and chip removal</li> <li>Installs on all threaded blowguns with 1/8" NPT</li> </ul>
Safety Air Screen Tip	EX2ST	 <ul style="list-style-type: none"> <li>Air screen nozzle reduces chip fly back</li> <li>Installs on all threaded blowguns with 1/8" NPT</li> </ul>

**Inlet Pressure:** 150 PSIG maximum

**Temperature:** +32° to +120° F

**Flow:** 19.8CFM@100 PSIG

**Body:** Nylon 6

**Seal:** Buna-N

## Features

- OSHA Compliant
- Pistol grip design is more comfortable to operate
- Trigger/Valve design allows for variable output
- Safety tip standard
- Trigger serves as a convenient hanging hook
- Color, safety yellow

# Compressed Air Blow Gun Kits

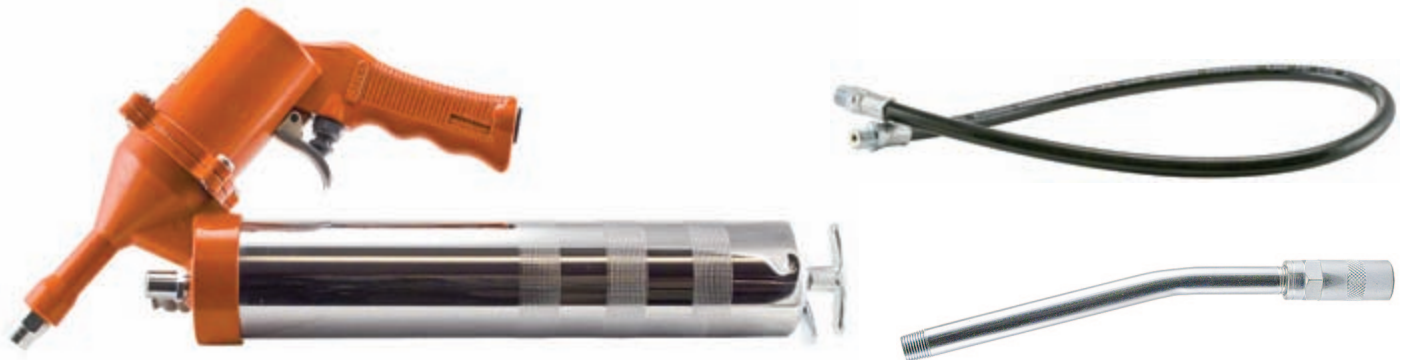


**BG-KIT-F1** – The versatile Foster blow gun kit BG-KIT-F1 contains three of the most popular nozzles for industrial and automotive uses as well as a 1/4" standard plug for easy air hose connection. This kit includes a high quality, lever-operated heavy duty blow gun featuring a patented quick disconnect coupler which allows users to switch nozzles quickly and easily. Also included are a high flow safety nozzle, six inch extension safety nozzle, rubber tip nozzle and quick connector plug for connecting blow gun to shop air supply. The kit comes ready for hanging display in a clear clamshell package.



**BG-KIT-F2** – The Foster BG-KIT-F2 contains five of the most popular nozzles for industrial and automotive uses. This kit includes a high quality, lever-operated heavy-duty blow gun featuring a patented quick disconnect coupler which allows users to switch nozzles quickly and easily. This multi-use kit also contains a high flow safety nozzle, six inch extension safety nozzle, rubber tip nozzle, needle tip nozzle, and air-screen safety nozzle. For handy storage, a clear vinyl compartmented snap pouch is included.

## Pistol Type Pneumatic Grease Gun [GG01]





**GG01** - Pistol-Type Pneumatic Grease Gun with 24" extension is ideal for many greasing applications, and features a trigger-release design for ease of reach for recessed fittings.

- Compact trigger-release design for easy access into recessed and hard-to-reach fittings
- Three way loading for versatility:
  - Standard 14-oz cartridge (not included)
  - Load with a pressure filter
  - Bulk load
- 24 inch flexible hose for extended working reach
- 1/4 inch NPT thread air inlet
- Inlet air pressure of 35 to 150 psi
- Rugged baked enamel and chrome finishes
- Comfortable hand grip and balanced design eliminate operator fatigue
- The light weight angled design allows easy operation in cramped or hard-to-reach spaces
- Air vent valve allows trapped air in the tube to escape after filling




# Reusable Hose Fittings

**Working Pressure:**  
300 PSIG

Reusable - Male Pipe Threads							
Non Swivel				Swivel - Free Swivel Under Pressure			
							

ID x OD	1/8 MPT Cat. No.	1/4 MPT Cat. No.	3/8 MPT Cat. No.	1/2 MPT Cat. No.	1/4 MPT Cat. No.	3/8 MPT Cat. No.	1/2 MPT Cat. No.
1/4 x 1/2	1B3	2B3	4B3	-	2B3MS	-	-
1/4 x 9/16	1B5	2B5	4B5		2B5MS		
1/4 x 5/8	1B7	2B7	4B7		2B7MS		
1/4 x 5/8 [303 Stainless]	-	2B7S/S	-		-		
1/4 x 11/16	1B9	2B9	4B9	-	2B9MS	-	-
5/16 x 9/16	-	2C5	-	-	-	-	-
5/16 x 5/8	-	2C7	-	-	-	-	-
3/8 x 5/8	-	2D7	4D7	6D7	-	4D7MS	-
3/8 x 11/16		2D9	4D9	6D9	-	4D9MS	
3/8 x 3/4		2D11	4D11	6D11	-	4D11MS	
3/8 x 13/16		2D13	4D13	6D13	-	4D13MS	
1/2 x 13/16	-	2P13	4P13	6P13	-	-	6P13MS
1/2 x 7/8		2P15	4P15	6P15	-	-	6P15MS
1/2 x 15/16		2P17	4P17	6P17	-	-	6P17MS
1/2 x 1		2P19	4P19	6P19	-	-	6P19MS

Reusable - Female Swivel						Hose Splicer
						

ID x OD	No. 1 Nut 9/16-20 NS Cat. No.	No. 2 Nut 5/8-18 NF Cat. No.	No. 5 Nut 1/4-18 NPS Cat. No.	No. 8 Nut 3/8-18 NPS Cat. No.	No. 10 Nut 1/2-14 NPS Cat. No.	Hose Splicer Cat. No.
1/4 x 1/2	1B3-S	2B3-S	5B3-S	-	-	HS-B3
1/4 x 9/16	1B5-S	2B5-S	5B5-S			HS-B5
1/4 x 5/8	1B7-S	2B7-S	5B7-S			HS-B7
1/4 x 11/16	1B9-S	2B9-S	5B9-S			HS-B9
5/16 x 9/16	1C5-S	-	5C5-S	-	-	-
5/16 x 5/8	1C7-S		5C7-S	-	-	-
3/8 x 5/8	1D7-S	2D7-S	5D7-S	8D7-S	-	HS-D7
3/8 x 11/16	1D9-S	2D9-S	5D9-S	8D9-S		HS-D9
3/8 x 3/4	1D11-S	2D11-S	5D11-S	8D11-S		HS-D11
3/8 x 13/16	1D13-S	2D13-S	5D13-S	8D13-S		HS-D13
1/2 x 13/16	-	-	-	-	10P13-S	-
1/2 x 7/8					10P15-S	
1/2 x 15/16					10P17-S	
1/2 x 1					10P19-S	
Adapters						
1/4 MPT	1-2M	-	5-2M	-	-	
3/8 MPT	1-3M		-		10-3M	
1/2 MPT	-		-		10-4M	



# “Push On” Hose & Fittings



## Foster “Push On” Hose & Fittings

### Features:

- For shop air, pneumatic tools, petroleum base hydraulic oils, anti-freeze compounds, gasoline, water, lubricating oils and diesel fuels.
- “Push-On” fittings do not require hose clamps. Hose grips barb through distortion of braid. Forms leak proof grip with “Push-On” fitting.
- “Push-On” hose used with standard barbed fittings requires clamps.



**Construction:** Synthetic rubber tube, fiber braid reinforcement and a synthetic rubber cover, resistant to abrasion, oil and mildew.

**Temperature Range:** -40° to +212°F.

ID x OD	Cat. No.	Working Pressure	Burst Pressure
1/4" x 9/16"	PO25	300 PSIG	1200 PSIG
3/8" x 11/16"	PO38	300 PSIG	1200 PSIG
1/2" x 13/16"	PO50	300 PSIG	1200 PSIG

**NOTE:** Foster couplers with “Push-On” hose stems are listed with the various series of sockets and plugs.

### Brass Splicers

Hose ID x Hose ID	Push-On Does Not Require Hose Clamps	Barbed Insert Requires Hose Clamps
	Cat. No.	Cat. No.
3/16 x 3/16	—	BHS81
1/4 x 1/4	PHS82	BHS82
5/16 x 5/16	—	BHS83
3/8 x 3/8	PHS84	BHS84
1/2 x 1/2	PHS85	BHS85

### Brass Nipples

Hex Nipples	
Pipe Thread x Hose ID	Cat. No.
1/8 NPT x 1/8	1M1M
1/8 NPT x 1/4	1M2M
1/4 NPT x 1/4	2M2M
1/4 NPT x 3/8	2M3M
3/8 NPT x 3/8	3M3M
3/8 NPT x 1/2	3M4M
1/2 NPT x 1/2	4M4M
3/4 NPT x 3/4	6M6M

### Brass Fittings

Pipe Thread x Hose ID	Push-On Fittings Do not Require Hose Clamp			Barbed Insert Fittings Require Host Clamp		
	Male Cat. No.	Swivel Cat. No.	Female Cat. No.	Male Cat. No.	Female (Solid) Cat. No.	Female (Ball End) Cat. No.
1/8 NPT x 1/8	—	—	—	M1	—	—
1/8 NPT x 3/16	—	—	—	M2	—	—
1/8 NPT x 1/4	PM3	—	—	M3	F33	—
1/8 NPT x 5/16	—	—	—	M4	—	—
1/8 NPT x 3/8	PM5	—	—	M5	—	—
1/4 NPT x 3/16	—	—	—	M6	—	—
1/4 NPT x 1/4	PM7	PM7S	PF36	M7	F36	SB55
1/4 NPT x 5/16	—	—	—	M8	—	—
1/4 NPT x 3/8	PM9	—	—	M9	F38	SB57
1/4 NPT x 1/2	PM11	—	—	M11	—	—
3/8 NPT x 1/4	—	—	—	M12	—	—
3/8 NPT x 3/8	PM13	PM13S	PF40	M13	F40	SB58
3/8 NPT x 1/2	PM14	—	—	M14	F41	—
1/2 NPT x 3/8	PM16	—	—	M16	—	—
1/2 NPT x 1/2	PM17	PM17S	PF42	M17	F42	—
1/2 NPT x 3/4	PM19	—	—	M19	—	—
3/4 NPT x 3/4	—	—	—	M22	—	—



# Three Way Sleeve & Wing Nut Couplers

## FWN Series



### Features:

- For use on hydraulic applications with operating pressure up to 3,000 PSI
- Heavy duty, double shutoff coupler
- Connect/disconnect under pressure with minimal air inclusion and fluid loss
- Interchangeable with manufacturers' couplings
- Plugs can be bulkhead mounted

### Construction:

- Brass body resists corrosion
- Zinc plated steel wing nut
- Stainless steel springs
- Buna-N Seals

### Rated Pressure:

- 3,000 PSI for 3/4" and 1"
- 2,750 for 1-1/4"

### Temperature Range:

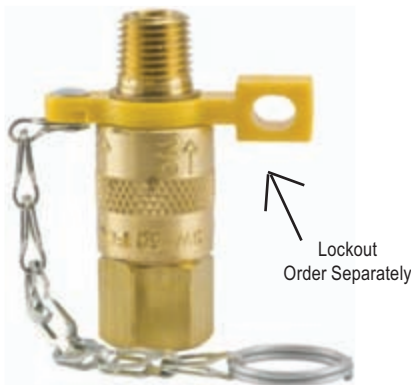
- -40° to +250°

### Rated Flow:

- 3/4" - 28 gpm
- 1" - 50 gpm
- 1-1/4" - 76 gpm

Body Size	Thread Size NPTF	Plugs	Sockets	Dust Plugs	Dust Caps
3/4"	3/4 - 14	FWNP6	FWNS6	FWN6DP	FWN6DC
1"	1 - 11 1/2	FWNP8	FWNS8	FWN8DP	FWN8DC
1 1/4"	1 1/4 - 11 1/2	FWNP10	FWNS10	FWN10DP	FWN10DC

## Three Way Sleeve



### Features:


- Provides low cost ON-OFF-EXHAUST operation
- Slide the sleeve to the ON position. Exhaust ports are closed, valve is open. Reversing the sleeve, opens exhaust ports, shuts off flow
- Ports covered for protection against exhaust flow
- Patented body detent secures sleeve position
- Valve with lockout complies with OSHA Standard 29 CFR, Part 1910


**Working Pressure:** to 200 PSIG

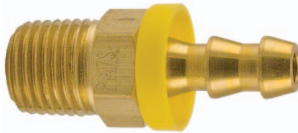
**Temperature:** -25° to +200°F


Size	Performance Data			
	"Fost-Air" Three Way Sleeve Valve		Air Flow – CFM 10 PSIG Pressure Drop	
	Sleeve Valve Cat. No.	Lockout Cat. No.	100 PSIG	80 PSIG
1/8 NPT	3W125	-	16	14.5
1/4 NPT	3W250	LO250	40	36
3/8 NPT	3W375	LO375	65	59
1/2 NPT	3W500	LO500	140	127

## Swivel [Free Swivel Under Pressure]

90° Swivel	
	
Size	Cat. No.
1/4 MPT x 1/4 FPT	25US90

Male Barbed Insert	
	
Size	Cat. No.
1/4 MPT x 1/4 ID	M7S
3/8 MPT x 3/8 ID	M13S
1/2 MPT x 1/2 ID	M17S

Push-On Swivel	
	
Size	Cat. No.
1/4 MPT x 1/4 ID	PM7S
3/8 MPT x 3/8 ID	PM13S
1/2 MPT x 1/2 ID	PM17S

Male to Female Pipe	
	
Size	Cat. No.
1/4 MPT x 1/4 FPT	25US
3/8 MPT x 3/8 FPT	38US
1/2 MPT x 1/2 FPT	50US

## 360 Degree Universal Swivel [1/4", 3/8" and 1/2" Body]

### Benefits

- Dual Series swivel 360° in two independent planes
- Allows air hose to hang straight down when used with air tools
- Reduces operator fatigue
- Reduces the possibility of carpal tunnel syndrome
- Increases air hose life
- Patented non-marring series (plastic encapsulated) is ideal when non-marring and scratch reduction is needed

**Pipe size:** 1/4" NPT male x 1/4" NPT female

**Maximum Working Pressure:** 300 PSIG





### Materials of Construction:

- Body: Brass and plated steel
- Seals: Buna-N

**NOTE:** When used with percussion tools, a minimum of 18" of hose between tool and swivel is required.

### Universal Swivels:

- reduces operator fatigue
- increases air hose life

	Brass/Steel Dual Swivel	Non-Marring Dual Swivel	Non-Marring Single Swivel	Standard Swivel (Without Plastic Covering)
				
Size	Cat. No.	Cat. No.	Cat. No.	Cat. No.
1/4" FPT x 1/4" MPT	25US36	-	-	190026A
3/8" FPT x 1/4" MPT	-	190010A	190040	190029A
3/8" FPT x 3/8" MPT		190011A	190041	190027A
1/2" FPT x 1/2" MPT		190012	190042	190028



**Beta Clamps** are ideal for clamping pipe, tube, hose, and electric cables. They are an economical and easy way of securing them in all types of terrestrial, marine, O.E.M. and industrial applications. Thanks to the advanced features and the breadth and depth of our product offering, Beta Clamps are used in all areas of industrial, mobile and marine hydraulics, general industrial pipe construction, the field of press technology, instrumentation and control technology and many more.

- Beta Clamps offer shock-absorption, vibration dampening and noise reducing properties.
- Beta Clamps feature a practical and economical design which make for quick, easy pipe installation and layout.
- Using weldable plates, it's easy to anchor the clamps to machinery and steel work.
- Fast, safe, economic installation and service in piping system.
- Upper and lower clamp half are identical.
- Ribs in clamp bore are designed to absorb shock and vibration in the direction of the tube axis.
- Due to their design the clamps can be easily cleaned.

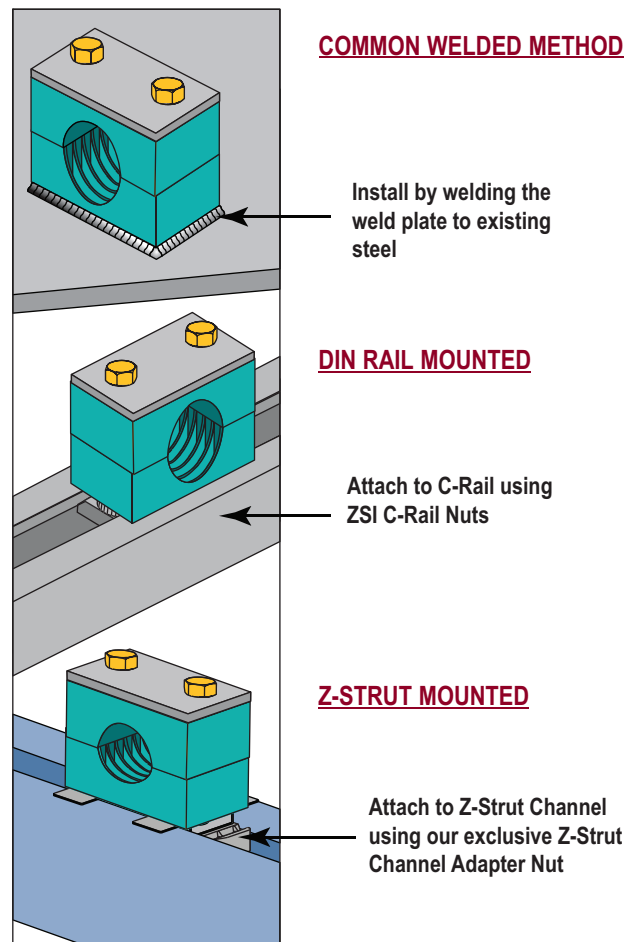
#### CLAMP BODY

- Standard – Polypropylene (Green Color)  
-22°F to 194°F ( -30°C to +90°C)
- Aluminum is available for use in high heat applications

**CLAMP COMPONENTS** – The other metallic components of the clamps are manufactured in:

- Lower and upper plates: steel, stainless steel type 304
- Screw bolts: steel, S40C, stainless steel type 304
- Other metallic on request.

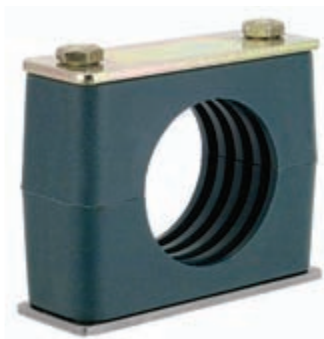
Foster offers an installation option for all of your application needs.



# Beta Clamps



## BETA STANDARD



- For standard hydraulics and systems with less than 1500 PSI without dynamic loads
- Polypropylene cushion
- Steel components

## BETA HEAVY



- For systems with greater than 1500 PSI operating pressure, operations with pressure surges, and applications with wide temperature fluctuations
- Absorbs high levels of shock, noise, and vibration
- Polypropylene cushion & steel components

## BETA TWIN



- For standard hydraulics, general pipe construction and electrical cables
- Polypropylene cushion
- Steel components

## BETA SMOOTHIE



- Reduces wear on hose connection caused by vibration and surge
- Chamfered and smooth core protects hose cover and extends hose life.
- Uses Beta Standard hardware
- Polypropylene cushion
- Steel components

## BETA SMOOTHIE TWIN



- Reduces wear on hose connection caused by vibration and surge
- Chamfered and smooth core protects hose cover and extends hose life
- Uses Beta Twin hardware
- Polypropylene cushion
- Steel components

## BETA SPECIAL METALS (ALUMINUM, STAINLESS STEEL)



- Aluminum cushions with steel components are used in high heat applications up to 500°
- Stainless steel clamp hardware with polypropylene cushion are used in applications where external corrosion is a concern

## BETA RUBBER INSERTS



- Available in standard and heavy
- One cushion block provides flexible size range of cushioning
- Smooth bore core can be used on hose, or for vibration reduction

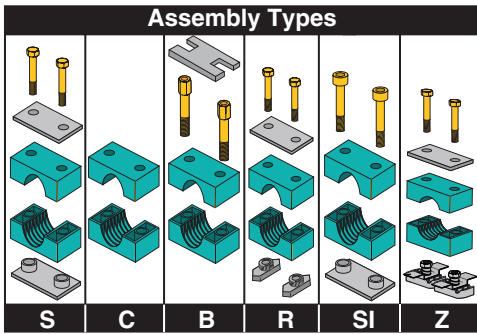
## BETA ADAPTER



- Allows a clamping junction to be inserted into hydraulic lines.
- The adapter body is offered in two sizes for use with the Z-Clamp adapter inserts



# Beta Clamps - Standard



Steel w/  
Polypropylene  
Cushion

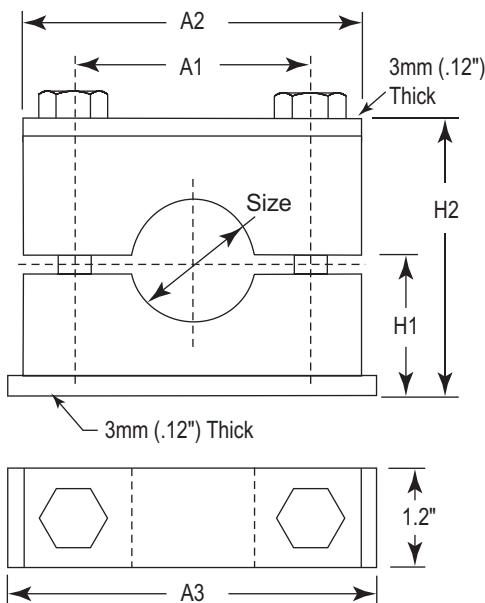


Steel w/  
Aluminum  
Cushion

## BETA STANDARD SERIES

- Cushions are Polypropylene (Green Color)
- Recommended for systems with less than 1500 PSI without dynamic loads.
- Use for standard hydraulics, general pipe construction, electrical cables, and general duty piping applications subject to moderate levels of shock and vibration.
- Aluminum cushions are used in higher heat applications up to 500°.

**INSTALLATION** - Refer to pages 79-80 for complete installation guide.



Group	Part No. *	Tube Size	Pipe Size	Metric Size	Dimensions - inch (mm)					Wt/ 100	Bolt
					A1	A2	A3	H1	H2		
S1	S-1004	1/4" (0.250)	-	-	0.78 (20)	1.34 (34)	1.41 (36)	0.62 (16)	1.25 (32)	17	1/4"-20 x 1 1/4"
	S-1006	3/8" (0.375)	-	-							
	SM-1006	-	-	6mm							
	S-1007	-	1/8" (0.405)	-							
	SM-1008	-	-	8mm							
S2	SM-1012	-	-	12mm							
	S-2008	1/2" (0.500)	-	-	1.02 (26)	1.57 (40)	1.65 (42)	0.76 (19.5)	1.54 (39)	20	1/4"-20 x 1 3/8"
	S-2009	-	1/4" (0.540)	-							
	S-2010	5/8" (0.625)	-	-							
	S-2011	-	3/8" (0.675)	-							
	SM-2014	-	-	14mm							
	SM-2015	-	-	15mm							
SM-2018	-	-	18mm								
S3	S-3012	3/4" (0.750)	-	-	1.29 (33)	1.96 (50)	2.04 (52)	0.80 (20.5)	1.61 (41)	24	1/4"-20 x 1 1/2"
	S-3014	-	1/2" (0.840)	-							
	S-3015	7/8" (0.875)	-	-							
	S-3016	1" (1.000)	-	-							
	SM-3020	-	-	20mm							
	SM-3025	-	-	25mm							
S4	S-4017	-	3/4" (1.050)	-	1.57 (40)	2.28 (58)	2.36 (60)	0.94 (24)	1.88 (48)	30	1/4"-20 x 1 3/4"
	S-4018	1 1/8" (1.125)	-	-							
	SM-4030	-	-	30mm							
S5	S-5020	1 1/4" (1.250)	-	-	2.04 (52)	2.75 (70)	2.83 (72)	1.25 (32)	2.52 (64)	40	1/4"-20 x 2 1/2"
	S-5021	-	1" (1.315)	-							
	S-5024	1 1/2" (1.500)	-	-							
	S-5027	-	1 1/4" (1.660)	-							
	SM-5035	-	-	35mm							
S6	S-6028	1 3/4" (1.750)	-	-	2.59 (66)	3.38 (86)	3.46 (88)	1.41 (36)	2.83 (72)	47	1/4"-20 x 2 3/4"
	S-6030	-	1 1/2" (1.900)	-							
	S-6032	2" (2.000)	-	-							
S7	S-7038	-	2" (2.375)	-	3.70 (94)	4.75 (121)	4.81 (122)	2.00 (51)	4.05 (103)	97	1/4"-20 x 4"
	S-7036	2 1/4" (2.250)	-	-							
	S-7040	2 1/2" (2.500)	-	-							
	S-7044	2 3/4" (2.750)	-	-							
	S-7048	3" (3.000)	-	-							

\*For additional sizes contact factory.  
 Note: Add assembly type to part number. Example: **S-1004S-SS** provides the complete assembly as shown with stainless steel components.  
 NOTE: SM (metric) only available in Steel with Polypropylene (green) cushion.

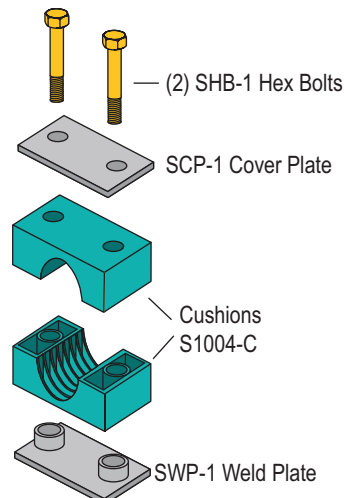
Suffix	Components	Cushion	Example
none	Steel	Polypropylene (green)	<b>S-1004S</b>
-AL	Steel	Aluminum	<b>S-1004S-AL</b>
-SS	Stainless Steel	Polypropylene (green)	<b>S-1004S-SS</b>

# Beta Clamps - Standard



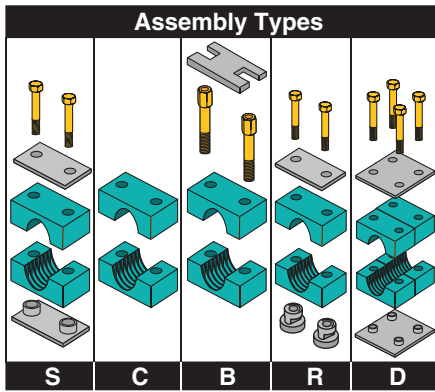
Standard Series Cover Plate			Standard Series Safety Plate		
	SCP-1	Use with Group S1		SP-1	Use with Group S1
	SCP-2	Use with Group S2		SP-2	Use with Group S2
	SCP-3	Use with Group S3		SP-3	Use with Group S3
	SCP-4	Use with Group S4		SP-4	Use with Group S4
	SCP-5	Use with Group S5		SP-5	Use with Group S5
	SCP-6	Use with Group S6		SP-6	Use with Group S6
	SCP-7	Use with Group S7			
Hex Bolt (Two required per assembly)			Standard Series Cap Screw (Two required per assembly)		
	SHB-1	Use with Group S1		SC-1	Use with Group S1
	SHB-2	Use with Group S2		SC-2	Use with Group S2
	SHB-3	Use with Group S3		SC-3	Use with Group S3
	SHB-4	Use with Group S4		SC-4	Use with Group S4
	SHB-5	Use with Group S5		SC-5	Use with Group S5
	SHB-6	Use with Group S6		SC-6	Use with Group S6
	SHB-7	Use with Group S7			
Stacking Bolts (Two required per assembly)			C-Rail Nut (Two required per assembly)		
	SB-1	Use with Group S1		SRN-1-6	1/4" nut, Use with SCR Rail
	SB-2	Use with Group S2			
	SB-3	Use with Group S3			
	SB-4	Use with Group S4			
	SB-5	Use with Group S5			
	SB-6	Use with Group S6			
Standard Series Weld Plate			C-Rail		
	SWP-1	Use with Group S1		SCR-1	39" (1 meter)
	SWP-2	Use with Group S2		SCR-2	78" (2 meter)
	SWP-3	Use with Group S3			
	SWP-4	Use with Group S4			
	SWP-5	Use with Group S5			
	SWP-6	Use with Group S6			
	SWP-7	Use with Group S7			
Strut Nut - For connection to Z-Strut Channel (Two required per assembly)			Z-Strut		
	ZSA1-8	Use with Groups S1-S8		Z1625	1-5/8" x 1-5/8"
				Z8125	1-5/8" x 13/16"
		Z1000		1-5/8" x 1"	
		Z875		1-5/8" x 7/8"	

ORDERING EXAMPLE		
<b>S-1004-S</b>		
Assembly Includes		
Quantity	Part No.	Description
1 Each	SWP-1	Weld Plate
1 Each	SCP-1	Cover Plate
2 Each	SHB-1	Hex Bolts
1 set	S1004-C	Cushions

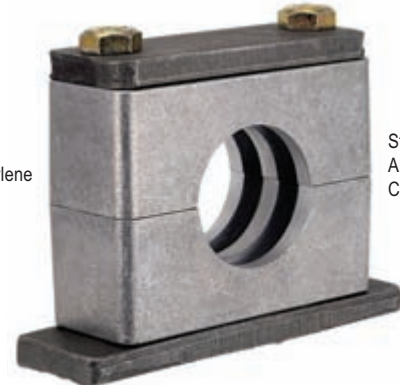




# Beta Clamps - Heavy



Steel w/  
Polypropylene  
Cushion

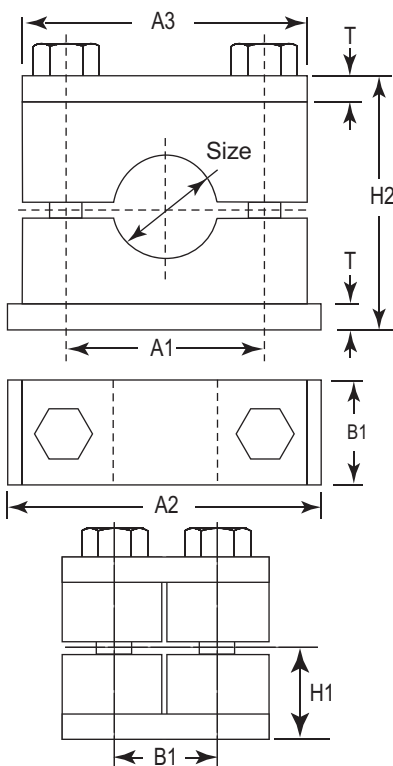


Steel w/  
Aluminum  
Cushion

## BETA HEAVY SERIES

- Recommended systems with greater than 1500 PSI operating pressure, operations with pressure surges, and applications with wide temperature fluctuations.
- Absorbs high levels of shock, noise, and vibration
- Cushions are polypropylene (Green color) or Aluminum.
- Aluminum cushions and are used in higher heat applications up to 500°.

**INSTALLATION** - Refer to pages 79-80 for complete installation guide.



Group	Part No.	Tube Size	Pipe Size	Dimensions-inch(mm)							Wt/100	Hex Bolt
				A1	A2	A3	B1	H1	H2	T		
H3	H-3004	1/4" (0.250)	-	1.29 (33)	2.87 (73)	2.16 (55)	1.18 (30)	0.94 (24)	1.88 (48)	0.31 (8)	65	3/8"-16 x 1-3/4"
	H-3006	3/8" (0.375)	-								65	
	H-3007	-	1/8" (0.405)								65	
	H-3008	1/2" (0.500)	-								65	
	H-3009	-	1/4" (0.540)								65	
	H-3010	5/8" (0.625)	-								65	
H4	H-4012	3/4" (0.750)	-	1.77 (45)	3.34 (85)	2.75 (70)	1.18 (30)	1.25 (32)	2.51 (64)	0.31 (8)	83	3/8"-16 x 2-1/4"
	H-4014	-	1/2" (0.840)								82	
	H-4015	7/8" (0.875)	-								83	
	H-4016	1" (1.000)	-								83	
	H-4017	-	3/4" (1.050)								83	
H5	H-5020	1 1/4" (1.250)	-	2.36 (60)	3.93 (100)	3.30 (84)	1.18 (30)	1.49 (38)	2.99 (76)	0.31 (8)	104	3/8"-16 x 2-3/4"
	H-5021	-	1" (1.315)								104	
	H-5024	1 1/2" (1.500)	-								103	
	H-5027	-	1 1/4" (1.660)								103	
H6	H-6028	1 3/4" (1.750)	-	3.54 (90)	5.90 (150)	4.52 (115)	1.77 (45)	2.16 (55)	4.33 (110)	0.39 (10)	266	1/2"-13 x 4"
	H-6030	-	1 1/2" (1.900)								276	
	H-6032	2" (2.000)	-								267	
	H-6034	2 1/4" (2.250)	-								266	
	H-6038	2 3/8" (2.375)	2" (2.375)								267	
H7	H-7044	2 3/4" (2.750)	-	4.80 (122)	7.08 (180)	5.98 (152)	2.36 (60)	2.75 (70)	5.51 (140)	0.39 (10)	510	5/8"-11x 5-1/4"
	H-7046	-	2 1/2" (2.870)								525	
	H-7050	3" (3.000)	-								506	
	H-7056	-	3" (3.500)								495	
	H-7057	3 1/2" (3.500)	-								510	
H8	H-8072	-	4" (4.000)	6.61 (168)	8.86 (225)	8.07 (205)	3.15 (80)	3.94 (100)	7.87 (200)	0.59 (15)	635	3/4"-10 x 7-1/2"
H9	H-9089	-	5" (5.000)	8.07 (221)	10.63 (270)	9.92 (252)	3.54 (90)	4.53 (115)	9.06 (230)	0.59 (15)	625	7/8"-9 x 8-1/4"
	H-9106	-	6" (6.000)								635	

For additional sizes contact factory.  
 Note: Add assembly type to part number. Example: **H-3004S-SS** provides the complete assembly as shown with stainless steel components.

Suffix	Components	Cushion	Example (complete assembly):
none	Steel	Polypropylene (green)	<b>H-3004S</b>
-AL	Steel	Aluminum	<b>H-3004S-AL</b>
-SS	Stainless Steel	Polypropylene (green)	<b>H-3004S-SS</b>

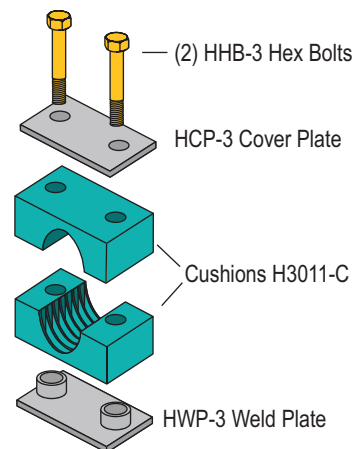


# Beta Clamps - Heavy



Heavy Series Cover Plate			Heavy Series Safety Plate			C-Rail Nuts (Two required per single assembly)		
	HCP-3	Use w/Group H3		HSP-3	Use w/Group H3		HRN-3-5	3/8" nut, Use w/ Groups H3-H5
	HCP-4	Use w/Group H4		HSP-4	Use w/Group H4		HRN-6	7/16" nut, Use w/ Group H6
	HCP-5	Use w/Group H5		HSP-5	Use w/Group H5			
	HCP-6	Use w/Group H6		HSP-6	Use w/Group H6			
	HCP-7	Use w/Group H7		HSP-7	Use w/Group H7			
	HCP-8	Use w/Group H8		HSP-8	Use w/Group H8			
	HCP-9	Use w/Group H9		HSP-9	Use w/Group H9			
Heavy Series Hex Bolts (Two required per single assembly)			Heavy Series Stacking Bolts (Two required per single assembly)			C-Rail		
	HHB-3	Use w/Group H3		HSB-3	Use w/Group H3		HCR-1	39" (1 meter)
	HHB-4	Use w/Group H4		HSB-4	Use w/Group H4		HCR-2	78" (2 meter)
	HHB-5	Use w/Group H5		HSB-5	Use w/Group H5		<p>40 mm 13 mm 5 mm 22 mm</p>	
	HHB-6	Use w/Group H6		HSB-6	Use w/Group H6			
	HHB-7	Use w/Group H7		HSB-7	Use w/Group H7			
	HHB-8	Use w/Group H8		HSB-8	Use w/Group H8			
	HHB-9	Use w/Group H9		HSB-9	Use w/Group H9			
Heavy Series Weld Plate			Heavy Series Double Weld Plate			Heavy Series Double Cover Plate		
	HWP-3	Use w/Group H3		HDP-3	Use w/Group H3		DCP-3	Use w/Group H3
	HWP-4	Use w/Group H4		HDP-4	Use w/Group H4		DCP-4	Use w/Group H4
	HWP-5	Use w/Group H5		HDP-5	Use w/Group H5		DCP-5	Use w/Group H5
	HWP-6	Use w/Group H6		HDP-6	Use w/Group H6		DCP-6	Use w/Group H6
	HWP-7	Use w/Group H7		HDP-7	Use w/Group H7		DCP-7	Use w/Group H7
	HWP-8	Use w/Group H8						
	HWP-9	Use w/Group H9						

Ordering Example		
<b>H3004-S</b>		
Assembly Includes		
Quantity	Part No.	Description
1 Each	HWP-3	Weld Plate
1 Each	HCP-3	Cover Plate
2 Each	HHB-3	Hex Bolts
1 set	H3011-C	Cushions



COUPLERS & ACCESSORIES

CLAMPING PRODUCTS

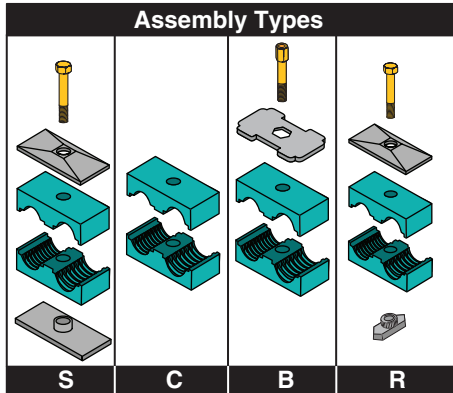
COUPLER SPEC'S & LAYOUTS

TECHNICAL DATA

INDEX



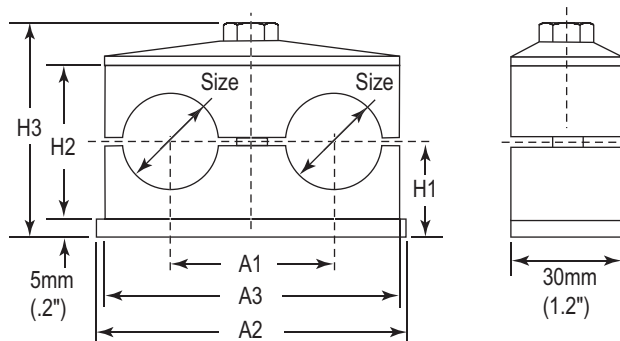
# Beta Clamps - Twin



**BETA CLAMPS TWIN SERIES** are ideal for general-duty applications subject to moderate levels of shock and vibration. Cushions in this series are Polypropylene (Green Color).

Call factory for additional sizes and cushion materials

**INSTALLATION** - Refer to pages 79-80 for complete installation guide.



Group	Steel Part No.	Stainless Steel Part No.	Tube Size	Pipe Size	Dimensions - inch (mm)						WT/100	Hex Bolt
					A1	A2	A3	H1	H2	H3		
T1	T-1004	T-1004-SS	1/4 (0.250)	-	0.78 (20)	1.45 (37)	1.41 (36)	0.72 (18.5)	1.06 (27)	1.69 (43)	21	1/4"-20 x 1-3/8"
	T-1006	T-1006-SS	3/8 (0.375)	-							21	
	T-1007	T-1007-SS	-	1/8 (0.405)							21	
T2	T-2008	T-2008-SS	1/2" (0.500)	-	1.14 (29)	2.16 (55)	2.08 (53)	0.70 (18)	1.02 (26)	1.71 (43.5)	31	5/16"-18 x 1-3/8"
	T-2009	T-2009-SS	-	1/4 (0.540)							31	
	T-2010	T-2010-SS	5/8 (0.625)	-							31	
	T-2011	T-2011-SS	-	3/8 (0.675)							31	
T3	T-3012	T-3012-SS	3/4 (0.750)	-	1.41 (36)	2.75 (70)	2.63 (67)	0.92 (23.5)	1.45 (37)	2.14 (54.5)	40	5/16"-18 x 1-3/4"
	T-3014	T-3014-SS	-	1/2 (0.840)							39	
	T-3015	T-3015-SS	7/8 (0.875)	-							39	
	T-3016	T-3016-SS	1 (1.000)	-							38	
T4	T-4017	T-4017-SS	-	3/4 (1.050)	1.77 (45)	3.34 (85)	3.22 (82)	1.02 (26)	1.65 (42)	2.34 (59.5)	49	5/16"-18 x 2"
	T-4018	T-4018-SS	1-1/8 (1.125)	-							49	
T5	T-5020	T-5020-SS	1-1/4 (1.250)	-	2.20 (56)	4.33 (110)	4.17 (106)	1.25 (32)	2.12 (54)	2.81 (71.5)	65	5/16"-18 x 2-3/8"
	T-5021	T-5021-SS	-	1 (1.315)							65	
	T-5024	T-5024-SS	1-1/2 (1.500)	-							64	
	T-5027	T-5027-SS	-	1-1/4 (1.660)							62	

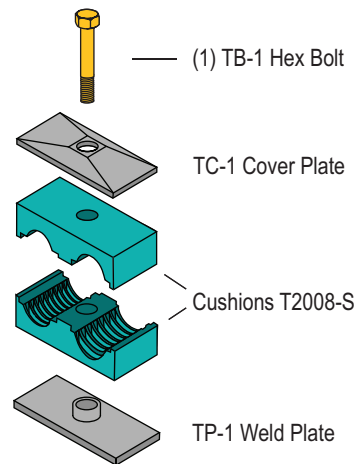
\*For additional sizes and stainless steel contact factory.  
 Note: Add Assembly type to Part No.- Example: **T-1004S** provides the complete assembly as shown

# Beta Clamps - Twin



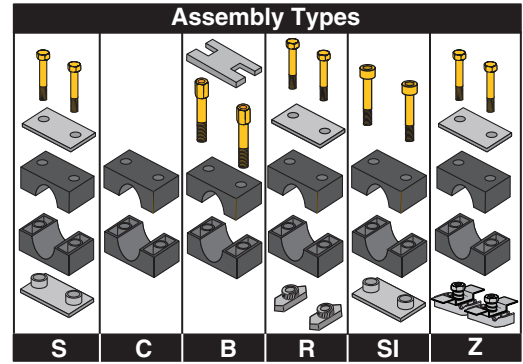
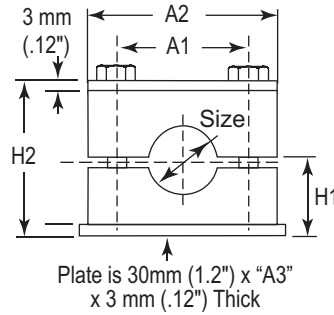
Twin Series Cover Plate			Twin Series Safety Plate		
	TC-1	Use with Group T1		TSP-1	Use with Group T1
	TC-2	Use with Group T2		TSP-2	Use with Group T2
	TC-3	Use with Group T3		TSP-3	Use with Group T3
	TC-4	Use with Group T4		TSP-4	Use with Group T4
	TC-5	Use with Group T5		TSP-5	Use with Group T5
Twin Hex Bolt			C-Rail Nut		
	TB-1	Use with Group T1		SRN-1-6	1/4" Nut, Use with Group T1
	TB-2	Use with Group T2		TRN-2-5	5/16" Nut, Use with Group T2 to T5
	TB-3	Use with Group T3			
	TB-4	Use with Group T4			
	TB-5	Use with Group T5			
Twin Stacking Bolt			C-Rail		
	TSB-1	Use with Group T1		SCR-1	39" (1 meter)
	TSB-2	Use with Group T2		SCR-2	78" (2 meter)
	TSB-3	Use with Group T3			
	TSB-4	Use with Group T4			
	TSB-5	Use with Group T5			
Twin Series Weld Plate					
	TP-1	Use with Group T1			
	TP-2	Use with Group T2			
	TP-3	Use with Group T3			
	TP-4	Use with Group T4			
	TP-5	Use with Group T5			

Ordering Example		
<b>T2008-S</b>		
Assembly Includes		
Quantity	Part No.	Description
1 Each	TP-1	Weld Plate
1 Each	TC-1	Cover Plate
1 Each	TB-1	Hex Bolts
1 set	T2008-S	Cushions





# Beta Clamps - "Smoothie"



Beta Clamps "Smoothie" is ideal for general-duty applications where there is a need to reduce wear on hose connection caused by vibration and surge.

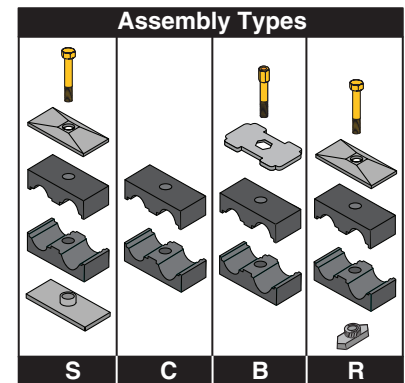
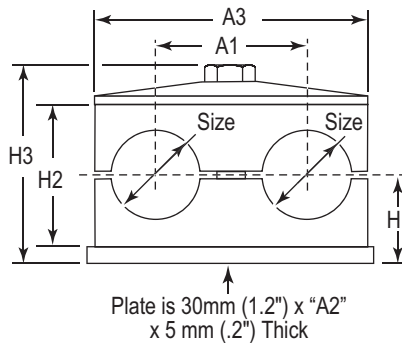
- Chamfered and smooth core protects hose cover and extends the life of the hose
- Uses Standard Beta hardware
- Reduces wear on hose connection caused by vibration and surge

**INSTALLATION** - Refer to pages 79-80 for complete installation guide.

Group	Part No.	SAE 100R1 Hose Size	Dimensions (Inches)					WT/100	Bolt
			A1	A2	A3	H1	H2		
S2	S-2004H	1/4" (0.53)	1.02	1.57	1.65	0.76	1.535	20	1/4 - 20 x 1 3/8
	S-2006H	3/8" (0.69)	1.02	1.57	1.65	0.76	1.535	20	
S3	S-3008H	1/2" (0.81)	1.29	1.96	2.04	0.80	1.61	25	1/4 - 20 x 1 1/2
	S-3010H	5/8" (0.93)	1.29	1.96	2.04	0.80	1.61	25	
S4	S-4012H	3/4" (1.10)	1.57	2.28	2.36	0.94	1.88	29	1/4 - 20 x 1 3/4
S5	S-5016H	1" (1.42)	2.05	2.75	2.83	1.25	2.52	39	1/4 - 20 x 2 1/2

\*For additional sizes and stainless steel contact factory.  
Note: Add Assembly type to Part No. - Example: **S-2004HS** provides the complete assembly as shown

# Beta "Smoothie" Twin Series



Beta "Smoothie" is ideal for general-duty applications where there is a need to reduce wear on hose connection caused by vibration and surge.

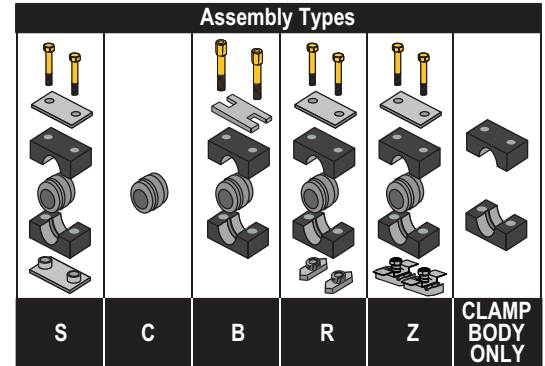
- Chamfered and smooth core protects hose cover and extends the life of the hose
- Uses Standard Beta Twin hardware
- Reduces wear on hose connection caused by vibration and surge

**INSTALLATION** - Refer to pages 79-80 for complete installation guide.

Group	Part No.	SAE 100R1 Hose Size	Dimensions (Inches)						WT/100	Bolt
			A1	A2	A3	H1	H2	H3		
T2	T-2004H	1/4" (0.53)	1.14	2.16	2.08	0.70	1.02	1.71	31	5/16 - 18 x 1 3/8
	T-2006H	3/8" (0.69)	1.14	2.16	2.08	0.70	1.02	1.71	31	
T3	T-3008H	1/2" (0.81)	1.41	2.75	2.63	0.92	1.45	2.14	39	5/16 - 18 x 1 3/4
T4	T-4010H	5/8" (0.93)	1.77	3.34	3.22	1.02	1.65	2.34	49	5/16 - 18 x 2
	T-4012H	3/4" (1.10)	1.77	3.34	3.22	1.02	1.65	2.34	49	
T5	T-5016H	1" (1.42)	2.2	4.33	4.17	1.25	2.12	2.81	65	5/16 - 18 x 2 3/8

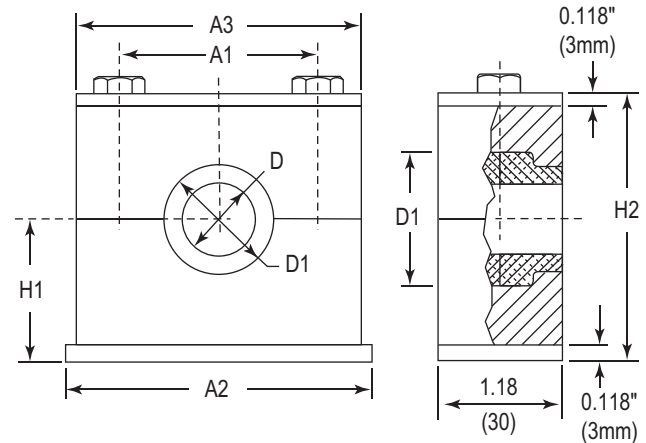
\*For additional sizes and stainless steel contact factory.  
Note: Add Assembly type to Part No. - Example: **T-2004HS** provides the complete assembly as shown

# Beta Standard Rubber insert



- One cushion block provides flexible size range of cushioning
- Smooth bore core can be used on hose, or for vibration reduction
- Broad range of metric sizes
- Maintains center line when used in groups

**INSTALLATION** - Refer to pages 81 for complete installation guide.



Group	Part No.	Bore Size Ø D in (mm)	Tube O.D.	Pipe Size	Nom. Size Hose O.D. Min - Max	Dimensions – inches (mm)						Bolt Size	
						D	D1	H1	H2	A1	A2		A3
S4	SM4006RI	0.24 (6)	-	-	0.22 - 0.24	1.00 (25.5)	1.22 (31)	0.925 (23.5)	1.85 (47)	1.57 (40)	2.32 (59)	2.24 (57)	1/4-20 x1-3/4
	SM4008RI	0.32 (8)	1/16"	-	0.30 - 0.32								
	S4007RI	0.39 (10)	-	1/8"	0.37 - 0.39								
	SM4012RI	0.47 (12)	-	-	0.45 - 0.47								
	S4008RI	0.50 (13)	1/2"	-	0.48 - 0.50								
	SM4014RI	0.55 (14)	-	-	0.53 - 0.55								
	SM4015RI	0.59 (15)	-	-	0.57 - 0.59								
	S4010RI	0.63 (16)	5/8"	-	0.61 - 0.63								
	S4011RI	0.68 (17)	-	3/8"	0.66 - 0.68								
	S4012RI	0.75 (19)	3/4"	-	0.73 - 0.75								
	S4C	Clamp Body Only (Group S4)											
S6	S6014RI	0.79 (20)	-	1/2"	0.77 - 0.79	1.54 (39)	1.81 (46)	1.40 (35.5)	2.80 (71)	2.60 (66)	3.46 (88)	3.39 (86)	1/4-20 x2-3/4
	S6015RI	0.87 (22)	7/8"	-	0.85 - 0.87								
	S6016RI	0.98 (25)	1"	-	0.96 - 0.98								
	S6017RI	1.06 (27)	-	3/4"	1.04 - 1.06								
	SM6028RI	1.10 (28)	-	-	1.08 - 1.10								
	SM6030RI	1.18 (30)	-	-	1.16 - 1.18								
	S6020RI	1.26 (32)	1-1/4"	-	1.24 - 1.26								
	S6C	Clamp Body Only (Group S5)											

\*For additional sizes and stainless steel contact factory.  
Note: Add Assembly type to Part No.- Example: **SM4006RIS** provides the complete assembly as shown

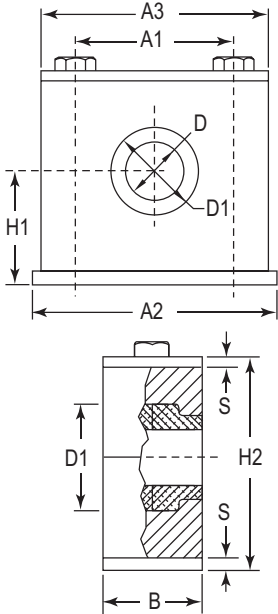
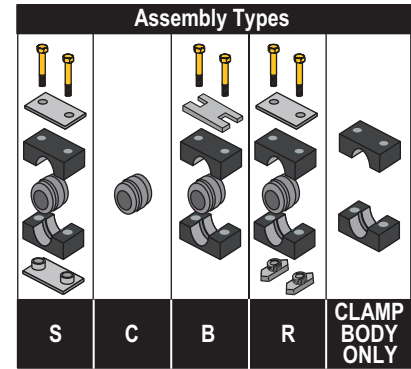


# Beta Clamps - Heavy Rubber Insert



- One cushion block provides flexible size range of cushioning
- Smooth bore core can be used on hose, or for vibration reduction
- Broad range of metric sizes
- Maintains center line when used in groups
- Used for high pressure hydraulics and heavy duty operations
- Used for intermittent load and high oil speeds
- Increase size range over standard series

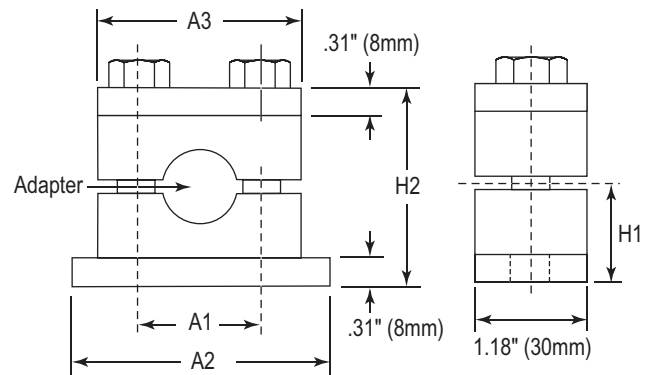
**INSTALLATION** - Refer to pages 81 for installation guide



Group	Part No.	Bore Ø D in. (mm)	Tube O.D.	Pipe Size	Nom. Size Hose O.D	Dimensions –inches (mm)										Bolt Size	
						D	D1	B	H1	H2	A1	A2	A3	S			
H4	HM4006RI	0.24 (6)	-	-	0.22 - 0.24												
	HM4008RI	0.32 (8)	1/16"	-	0.30 - 0.32												
	H4007RI	0.39 (10)	-	1/8"	0.37 - 0.39												
	HM4012RI	0.47 (12)	-	-	0.45 - 0.47												
	H4008RI	0.50 (12.7)	1/2"	-	0.48 - 0.50												
	HM4014RI	0.55 (14)	-	-	0.53 - 0.55	1.00 (25.5)	1.24 (31.5)	1.18 (30)	1.22 (31)	2.44 (62)	1.77 (45)	3.35 (85)	2.76 (70)	0.32 (8)	3/8-16x 2-1/4		
	HM4015RI	0.59 (15)	-	-	0.57 - 0.59												
	H4010RI	0.63 (16)	5/8"	-	0.61 - 0.63												
	H4011RI	0.68 (17.2)	-	3/8"	0.66 - 0.68												
	H4012RI	0.75 (19)	3/4"	-	0.73 - 0.75												
H4C	Clamp Body Only (Group H4)																
H5	H5014RI	0.79 (20)	-	1/2"	0.77 - 0.79												
	H5015RI	0.87 (22)	7/8"	-	0.85 - 0.87												
	H5016RI	0.98 (25)	1"	-	0.96 - 0.98												
	H5017RI	1.06 (26.9)	-	3/4"	1.04 - 1.06	1.54 (39)	1.83 (46.5)	1.18 (30)	1.46 (37)	2.91 (74)	2.36 (60)	3.94 (100)	3.35 (85)	0.32 (8)	3/8-16x 2-3/4		
	HM5028RI	1.10 (28)	-	-	1.08 - 1.10												
	HM5030RI	1.18 (30)	-	-	1.16 - 1.18												
H5020RI	1.26 (32)	1-1/4"	-	1.24 - 1.26													
H5C	Clamp Body Only (Group H5)																
H6	H6021RI	1.33 (33.7)	-	1"	1.31 - 1.33												
	HM6035RI	1.38 (35)	-	-	1.36 - 1.38												
	H6024RI	1.50 (38)	1-1/2"	-	1.48 - 1.50												
	HM6040RI	1.58 (40)	-	-	1.56 - 1.58												
	H6027RI	1.65 (42)	-	1-1/4"	1.63 - 1.65												
	HM6045RI	1.79 (45.5)	-	-	1.77 - 1.79	2.56 (65)	2.91 (74)	1.77 (45)	2.11 (53.5)	4.21 (107)	3.56 (90.5)	5.51 (140)	4.53 (115)	0.39 (10)	1/2-13x 4		
	H6030RI	1.89 (48)	-	1-1/2"	1.87 - 1.89												
	H6032RI	2.01 (51)	2"	-	1.99 - 2.01												
	H6034RI	2.10 (53.4)	2-1/8"	-	2.08 - 2.10												
	HM6056RI	2.22 (56.4)	-	-	2.2 - 2.22												
H6C	Clamp Body Only (Group H6)																
H7	H7038RI	2.36 (60)	-	2"	2.34 - 2.36												
	HM7065RI	2.56 (65)	-	-	2.54 - 2.56												
	HM7070RI	2.76 (70)	-	-	2.74 - 2.76	3.50 (89)	3.86 (98)	2.36 (60)	2.70 (68.5)	5.39 (137)	4.80 (122)	7.09 (180)	5.98 (152)	0.39 (10)	5/8-11x 5-1/2		
	H7046RI	2.87 (73)	-	2-1/2"	2.85 - 2.87												
	H7050RI	2.99 (76)	3"	-	2.97 - 2.99												
H7C	Clamp Body Only (Group H7)																
H8	HM8083RI	3.27 (83)	-	-	3.19 - 3.27												
	H8056RI	3.50 (89)	3-1/2"	3"	3.43 - 3.50	4.57 (116)	5.20 (132)	3.15 (80)	3.88 (98.5)	7.76 (197)	6.61 (168)	8.86 (225)	8.07 (205)	0.59 (15)	3/4-10x 7-1/2		
	H8C	Clamp Body Only (Group H8)															

\*For additional sizes and stainless steel contact factory.

# Beta Adapter



The **BETA-ADAPTER** allows a clamping junction to be inserted into virtually any hydraulic line. The exclusive square bodied junction adapter design can be used with metallic tubing or hydraulic hose ends. It provides a point of union for hydraulic runs which transition from one form of conveyance to another (i.e. hose to tubing). Once inserted into the customized Beta-Adapter clamp body, the junction point is securely clamped fighting the effects of vibration, insuring a leak-free system.

- Beta-Adapter cushions can also be used with rubber inserts.
- Z-Clamp split bushings from Group 1 can be utilized with the basic Beta-Adapter Group 4 cushion.
- Z-Clamp bushings from Group 2 coincide with Group 5 Beta-Adapter assemblies.
- The split bushings provide extra vibration absorption for delicate clamping surfaces.

**INSTALLATION** - Refer to page 81 for complete installation guide.

	A1	A2	A3	H1	H2	Hex Bolt
<b>Group 1 H4 BETA</b>	45mm 1.77	85mm 3.34	70mm 2.75	32mm 1.25	64mm 2.51	3/8"-16 x 2-1/4"
<b>Group 2 H5 BETA</b>	60mm 2.36	100mm 3.93	84mm 3.30	38mm 1.49	76mm 2.99	3/8"-16 x 2-3/4"



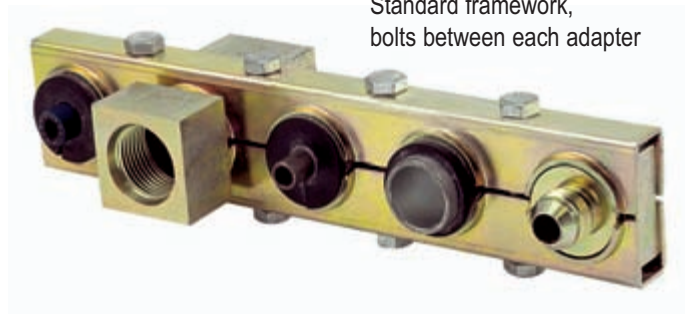
		Tube Size	Group 1 (H4) Part No.	Group 2 (H5) Part No.
	<b>37° JIC</b>	1/4"	H4MJA1-4-S	H5MJA2-4-S
		3/8"	H4MJA1-6-S	H5MJA2-6-S
		1/2"	H4MJA1-8-S	H5MJA2-8-S
		5/8"	H4MJA1-10-S	H5MJA2-10-S
		3/4"	-	H5MJA2-12-S
		5/8"	-	H5MJA2-14-S
	<b>O-Ring Face Seal</b>	3/8"	H4MJO1-6-S	H5MJO2-6-S
		1/2"	H4MJO1-8-S	H5MJO2-8-S
		5/8"	H4MJO1-10-S	H5MJO2-10-S
		3/4"	-	H5MJO2-12-S
	<b>Female Junction</b>	1/2"	H4FJA1-8-S	-
		3/4"	-	H5FJA2-12-S
	<b>Female Pipe</b>	3/8" NPT	H4FJA1-6P-S	H5FJA2-12P-S
	<b>Beta Cushions Only (Set of Two)</b>	-	H4JCN-C	H5JCN-C
	<b>Z-Clamp Split Bushing</b>	-	HAC-1 (1-1/2" Series) Can be used	HAC-2 (2" Series) Can be used



# Z-Clamp Units

The **Z-Clamp** is designed to maintain a consistent center line dimension for horizontal clamping or vertical stackable clamping applications. Z-Clamp maintains that center line while accommodating the same, or different diameter tubing, hose or pipe. Suited for all types of hydraulic hose, tubing, and pipe clamping applications, the Z-Clamp provides yet another alternative to the broadest cushion clamping product line in the world.

A **Z-Clamp** consists of an adapter framework which is offered in two versions. One has mounting bolts between each adapter insert and the other has two additional mounting bolts at each end of the frame.



Standard framework, bolts between each adapter



Z-Clamps can be stacked for even more line clamping ability



Outside hole framework, bolts between each adapter and two additional bolts at each end

## Z-Clamp & Beta Adapter Optional Adapters



**O-RING FACE SEAL**

**FEMALE JUNCTION ADAPTER**



The **Z-Clamp** inserts are also used with the Beta Adapter



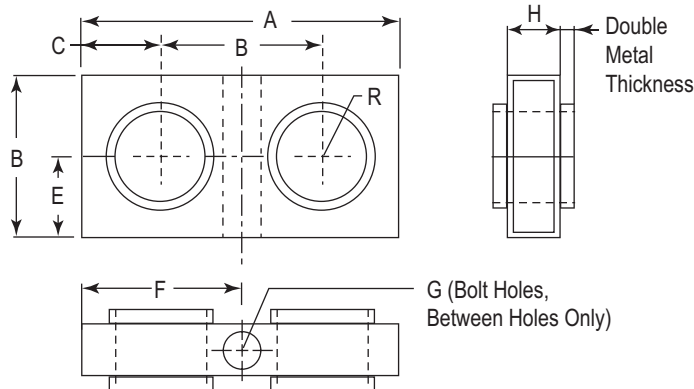
**RUBBER SPLIT BUSHINGS**



**37° FLARE MALE JUNCTION ADAPTER**



# Z-Clamp Standard [MULTIPLE LINE CLAMPING SYSTEM]



The standard Z-Clamp unit features an anchor bolt between each of the adapter inserts.

The junction adapter provides break points in lines allowing for shorter hose and tubing runs reducing leaks at connection points by securing the adapter against vibration within the Z-Clamp units. These break points may also serve as securely clamped changeover points between hose and tube, and vice versa.

- Stackable for space conservation
- Maintains consistent center line dimensions between lines both horizontally and vertically (in a stacking application)
- Mix and match pipe, tube, hose and junction adapters
- Suited for all types of hydraulic applications
- Available in standard and outside hole mounting configurations

**INSTALLATION** - Refer to page 81 for complete installation guide.

**Note:** Adapters and Hardware are ordered separately. Please see pages 43 - 45 for selection of these items.

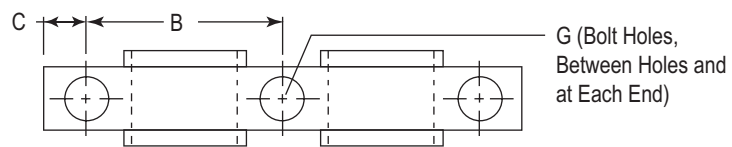
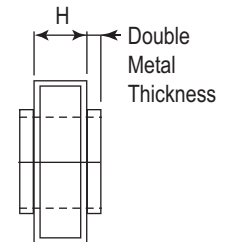
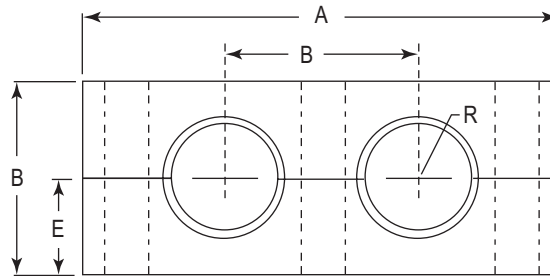
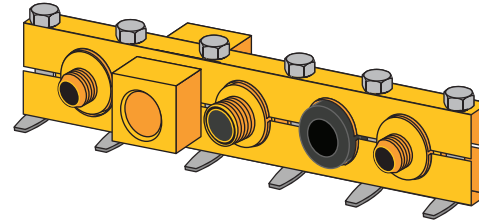


Part No.	# Adapter Holes	# Bolts	A	B	C	E	F	G	H	R
<b>HAC-1 Series 1-1/2" 14 Gauge</b>										
HAC-1-2	2	1	2.938"	1.5"	0.719"	0.75"	1.469"	0.344"	0.550"	0.422"
HAC-1-3	3	2	4.406"	1.5"	0.719"	0.75"	1.469"	0.344"	0.550"	0.422"
HAC-1-4	4	3	5.940"	1.5"	0.719"	0.75"	1.469"	0.344"	0.550"	0.422"
HAC-1-5	5	4	7.140"	1.5"	0.594"	0.75"	1.343"	0.344"	0.550"	0.422"
HAC-1-6	6	5	8.938"	1.5"	0.719"	0.75"	1.469"	0.344"	0.550"	0.422"
HAC-1-7	7	6	10.188"	1.5"	0.594"	0.75"	1.343"	0.344"	0.550"	0.422"
HAC-1-32	32	31	48.00"	1.5"	-	0.75"	-	0.344"	0.550"	0.422"
<b>HAC-2 Series 2" 14 Gauge</b>										
HAC-2-2	2	1	3.875"	2"	0.938"	1"	1.938"	0.344"	0.550"	0.594"
HAC-2-3	3	2	5.641"	2"	0.844"	1"	1.844"	0.344"	0.550"	0.594"
HAC-2-4	4	3	7.891"	2"	0.938"	1"	1.938"	0.344"	0.550"	0.594"
HAC-2-5	5	4	9.672"	2"	0.844"	1"	1.844"	0.344"	0.550"	0.594"
HAC-2-6	6	5	11.672"	2"	0.813"	1"	1.813"	0.344"	0.550"	0.594"
HAC-2-7	7	6	13.625"	2"	0.813"	1"	1.813"	0.344"	0.550"	0.594"
HAC-2-24	24	23	48.00"	2"	-	1"	-	0.344"	0.550"	0.594"
<b>HAC-3 Series 3" 11 Gauge</b>										
HAC-3-2	2	1	6.766"	3"	1.875"	1.5"	3.375"	0.406"	0.750"	1.063"
HAC-3-3	3	2	8.703"	3"	1.406"	1.5"	2.984"	0.406"	0.750"	1.063"
HAC-3-4	4	3	11.703"	3"	1.406"	1.5"	2.797"	0.406"	0.750"	1.063"
HAC-3-5	5	4	14.703"	3"	1.406"	1.5"	2.859"	0.406"	0.750"	1.063"
HAC-3-6	6	5	17.703"	3"	1.406"	1.5"	2.859"	0.406"	0.750"	1.063"
HAC-3-16	16	15	48.00"	3"	-	1.5"	-	0.406"	0.750"	1.063"
NOTE: Hardware & Adapters not included.										



- Stackable for space conservation
- Maintains consistent center line dimensions between lines both horizontally and vertically (in a stacking application)
- Mix and match pipe, tube, hose and junction adapters
- Suited for all types of hydraulic applications
- Available in standard and outside hole mounting configurations

**INSTALLATION** - Refer to page 81 for complete installation guide.

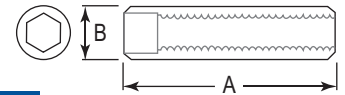


**Note:** Adapters and Hardware are ordered separately. Please see pages 43 to 45 for selection of these items.



Part No.	# Adapter Holes	# Bolts	A	B	C	E	G	H	R
<b>HAC-1 Series 1-1/2"</b>									
HAC 1-1-2	1	2	2.188"	1.5"	0.344"	0.75"	0.344"	0.550"	0.422"
HAC 1-2-3	2	3	3.797"	1.5"	0.391"	0.75"	0.344"	0.550"	0.422"
HAC 1-3-4	3	4	5.297"	1.5"	0.391"	0.75"	0.344"	0.550"	0.422"
HAC 1-4-5	4	5	6.797"	1.5"	0.391"	0.75"	0.344"	0.550"	0.422"
HAC 1-5-6	5	6	8.297"	1.5"	0.391"	0.75"	0.344"	0.550"	0.422"
<b>HAC-2 Series 2"</b>									
HAC-2-1-2	1	2	2.656"	2"	0.328"	1"	0.344"	0.550"	0.594"
HAC-2-2-3	2	3	4.766"	2"	0.391"	1"	0.344"	0.550"	0.594"
HAC-2-3-4	3	4	6.797"	2"	0.391"	1"	0.344"	0.550"	0.594"
HAC-2-4-5	4	5	8.297"	2"	0.391"	1"	0.344"	0.550"	0.594"
<b>HAC-3 Series 3"</b>									
HAC-3-1-2	1	2	4.000"	3"	0.500"	1.5"	0.406"	0.750"	1.063"
HAC-3-2-3	2	3	6.859"	3"	0.422"	1.5"	0.406"	0.750"	1.063"
HAC-3-3-4	3	4	9.859"	3"	0.422"	1.5"	0.406"	0.750"	1.063"
HAC-3-4-5	4	5	12.859"	3"	0.422"	1.5"	0.406"	0.750"	1.063"

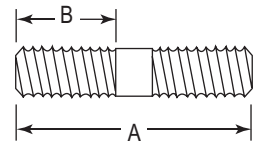
## SOCKET HEAD STACKING NUT



Part No.	HAC Series	A	B Dia.	Thread size
S-1	1	1.335"	1/2"	5/16"-18
S-2	2	1.800"	1/2"	5/16"-18
S-3	3	2.780"	1 1/16"	3/8"

## THREAD ADAPTER

(Install or Stack)

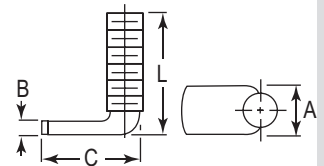


Part No.	HAC Series	A	B Dia.	Thread size
T-1	1 & 2	1.38"	0.63"	5/16"-18
T-3	3	2.00"	0.88"	3/8"-16

## WELD NUT



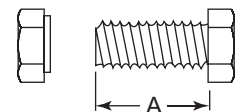
Part No.	HAC Series	ThreadSize	A	B	C	L
W-1 / W-2	HAC 1&2	5/16-18	0.437	0.12	0.875	3/4
W-3	HAC 3	3/8-16	0.531	0.151	1.00	1.00



## HEX BOLT and HEX NUT



Part No.	HAC Series	Thread size	A
HB-1	HAC 1 & 2	5/16"-18	3/4"
HB-3	HAC 3	3/8"-16	1"



## LOCK WASHER



Part No.	HAC Series	size
HW-1	HAC 1 & 2	5/16"
HW-3	HAC 3	3/8"





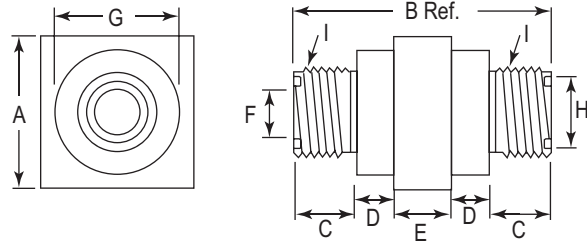
# Z-Clamp Adapters

## O-Ring Face Seal



FOR USE with BETA ADAPTERS & Z-CLAMPS

Part No.	Tube Size	Dimensions – inches								
		A	B.	C	D	E	F.	G	I (Thread)	H
MJO-1-6	3/8"	1.00"	1.96"	0.43"	0.28"	0.54"	0.26"	0.84"	11/16"-16	0.496"
MJO-1-8	1/2"	1.00"	2.10"	0.50"	0.28"	0.54"	0.38"	0.84"	13/16"-16	0.621"
MJO-1-10	5/8"	1.00"	2.30"	0.60"	0.28"	0.54"	0.48"	0.84"	1"-14	0.748"
MJO-2-6	3/8"	1.50"	2.08"	0.43"	0.34"	0.54"	0.26"	1.20"	11/16"-16	0.496"
MJO-2-8	1/2"	1.50"	2.22"	0.50"	0.34"	0.54"	0.38"	1.20"	13/16"-16	0.621"
MJO-2-10	5/8"	1.50"	2.42"	0.60"	0.34"	0.54"	0.48"	1.20"	1"-14	0.748"
MJO-2-12	3/4"	1.50"	2.52"	0.65"	0.34"	0.54"	0.61"	1.20"	1-3/16"-12	0.873"
MJO-2-16	1"	1.50"	2.58"	0.68"	0.34"	0.54"	0.81"	1.20"	1-7/16"-12	1.058"
MJO-3-20	1-1/4"	2.25"	2.98"	0.68"	0.437"	0.75"	1.02"	2.12"	1-11/16"-12	1.309"
MJO-3-24	1-1/2"	2.25"	2.98"	0.68"	0.437"	0.75"	1.26"	2.12"	2"-12	1.621"



- Offered in a wide range of sizes in JIC, NPT, SAE, and ORFS thread configurations
- Zinc plated to prevent corrosion
- Clamping at the fitting prevents loosening and other vibration related leaks

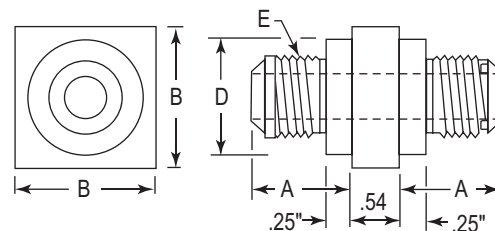
## 37° Flare Male Junction Adapter



FOR USE with BETA ADAPTERS & Z-CLAMPS

Part No.	Tube Size	Dimensions – Inches			E (Thread)
		A	B	D	
<b>1-1/2" Series</b>					
MJA-1-4	1/4"	0.76"	1"	0.84"	7/16"-20
MJA-1-6	3/8"	0.76"	1"	0.84"	9/16"-18
MJA-1-8	1/2"	0.87"	1"	0.84"	3/4"-16
MJA-1-10	5/8"	0.96"	1"	0.84"	7/8"-14
<b>2" Series</b>					
MJA-2-4	1/4"	0.76"	1-1/2"	1.20"	7/16"-20
MJA-2-6	3/8"	0.76"	1-1/2"	1.20"	9/16"-18
MJA-2-8	1/2"	0.87"	1-1/2"	1.20"	3/4"-16
MJA-2-10	5/8"	0.96"	1-1/2"	1.20"	7/8"-14
MJA-2-12	3/4"	1.07"	1-1/2"	1.20"	1-1/16"-12
MJA-2-14	7/8"	1.10"	1-1/2"	1.20"	1-3/16"-12
MJA-2-16	1"	1.10"	1-1/2"	1.20"	1-5/16"-12

- Offered in a wide range of sizes in JIC, NPT, SAE, and ORFS thread configurations
- Zinc plated to prevent corrosion
- Clamping at the fitting prevents loosening and other vibration related leaks





# Z-Clamp Adapters

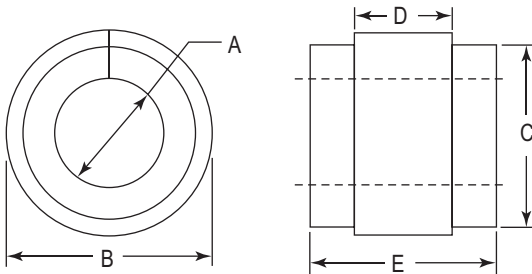
## Split Rubber Bushings



FOR USE with BETA ADAPTERS & Z-CLAMPS

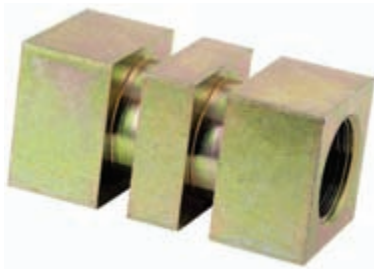
### ANTI-VIBRATION SPLIT RUBBER BUSHING

- Unique “grip” design secures cushion in place
- High quality EPDM rubber provides superior vibration damping with excellent oil resistance



Part No.	Tube Size	Pipe Size	A	B	C	D	E
<b>HAC-1 1-1/2" Series</b>							
G-1-4	1/4"	–	0.235"	0.975"	0.875"	0.50"	1.312"
G-1-6	3/8"	–	0.360"	0.975"	0.875"	0.50"	1.312"
G-1-8	1/2"	–	0.485"	0.975"	0.875"	0.50"	1.312"
G-1-10	5/8"	–	0.610"	0.975"	0.875"	0.50"	1.312"
G-1-12	3/4"	–	0.735"	0.975"	0.875"	0.50"	1.312"
<b>HAC-2 2" Series</b>							
G-2-4	1/4"	–	0.235"	1.350"	1.250"	0.50"	1.312"
G-2-6	3/8"	–	0.360"	1.350"	1.250"	0.50"	1.312"
G-2-8	1/2"	–	0.485"	1.350"	1.250"	0.50"	1.312"
G-2-4P	–	1/4"	0.525"	1.350"	1.250"	0.50"	1.312"
G-2-10	5/8"	–	0.610"	1.350"	1.250"	0.50"	1.312"
G-2-6P	–	3/8"	0.660"	1.350"	1.250"	0.50"	1.312"
G-2-12	3/4"	–	0.735"	1.350"	1.250"	0.50"	1.312"
G-2-8P	–	1/2"	0.825"	1.350"	1.250"	0.50"	1.312"
G-2-14	7/8"	–	0.860"	1.350"	1.250"	0.50"	1.312"
G-2-16	1"	–	0.985"	1.350"	1.250"	0.50"	1.312"
G-2-12P	–	3/4"	1.035"	1.350"	1.250"	0.50"	1.312"
<b>HAC-3 3" Series</b>							
G-3-4	1/4"	–	0.234"	2.287"	2.187"	0.750"	1.750"
G-3-6	3/8"	–	0.360"	2.287"	2.187"	0.750"	1.750"
G-3-8	1/2"	–	0.485"	2.287"	2.187"	0.750"	1.750"
G-3-4P	–	1/4"	0.525"	2.287"	2.187"	0.750"	1.750"
G-3-10	5/8"	–	0.610"	2.287"	2.187"	0.750"	1.750"
G-3-6P	–	3/8"	0.660"	2.287"	2.187"	0.750"	1.750"
G-3-12	3/4"	–	0.735"	2.287"	2.187"	0.750"	1.750"
G-3-8P	–	1/2"	0.825"	2.287"	2.187"	0.750"	1.750"
G-3-14	7/8"	–	0.860"	2.287"	2.187"	0.750"	1.750"
G-3-16	1"	–	0.985"	2.287"	2.187"	0.750"	1.750"
G-3-12P	–	3/4"	1.035"	2.287"	2.187"	0.750"	1.750"
G-3-20	1-1/4"	–	1.235"	2.287"	2.187"	0.750"	1.750"
G-3-16P	–	1"	1.300"	2.287"	2.187"	0.750"	1.750"
G-3-24	1-1/2"	–	1.485"	2.287"	2.187"	0.750"	1.750"
G-3-20P	–	1-1/4"	1.645"	2.287"	2.187"	0.750"	1.750"
G-3-24P	–	1-1/2"	1.885"	2.287"	2.187"	0.750"	1.750"
G-3-32	2"	–	1.985"	2.287"	2.187"	0.750"	1.750"

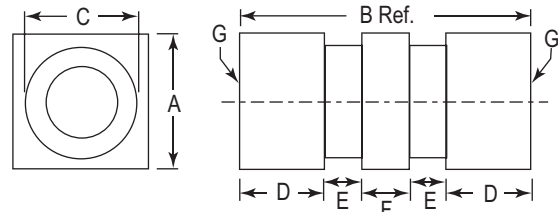
## Female Junction Adapter



FOR USE with BETA ADAPTERS & Z-CLAMPS

Part No.	Dimensions – Inches						G (Thread)
	A	B	C	D	E	F	
FJA-1-6-P	1"	2-13/16"	0.84"	0.84"	0.30"	0.54"	3/8" N.P.T.
FJA-2-12-P	1-1/2"	3-1/8"	1.20"	0.97"	0.32"	0.54"	3/4" N.P.T.
FJA-3-20-P	2-1/4"	2-5/8"	2.12"	0.49"	0.45"	0.74"	1-1/4" N.P.T.
FJA-1-8	1"	2-13/16"	0.84"	0.84"	0.30"	0.54"	3/4"-16 SAE
FJA-2-12	1-1/2"	3-1/8"	1.20"	0.97"	0.32"	0.54"	1-1/16"-12 SAE
FJA-3-20	2-1/4"	2-5/8"	2.12"	0.49"	0.45"	0.74"	1-5/8"-12 SAE

- Offered in a wide range of sizes in JIC, NPT, SAE, and ORFS thread configurations
- Zinc plated to prevent corrosion
- Clamping at the fitting prevents loosening and other vibration related leaks





# Cushioned Clamping

## CUSHIONED CLAMPING

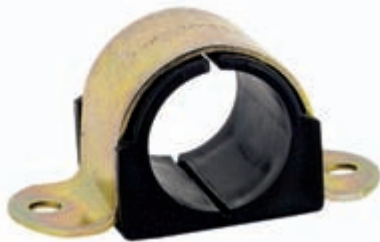
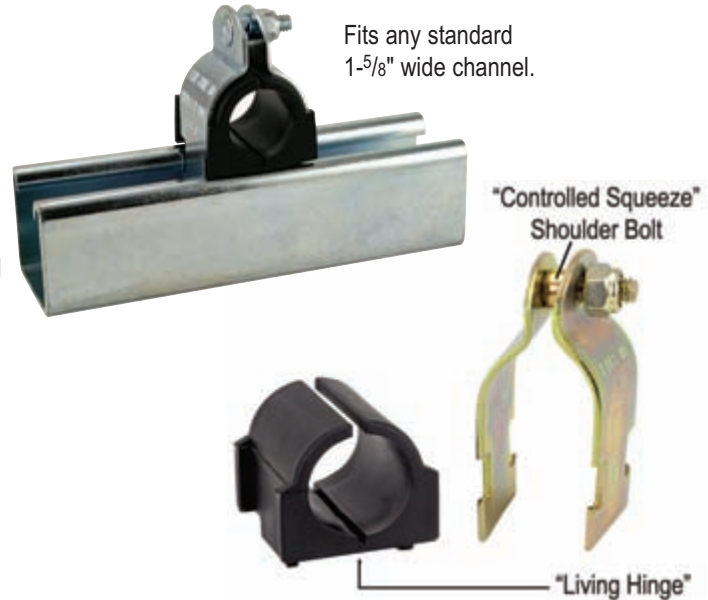
Foster offers a comprehensive line of cushioning clamps – from the original Cush-A-Clamp® to the newer Porce-A-Clamp™. There is a Foster solution to cushion shock, vibration, noise and temperature.

### CUSH-A-CLAMP® (See Page 48)

**CUSH-A-CLAMP®** channel mounted clamping systems are ideal for multiple line runs. It absorbs shock and vibration, reducing unwanted noise and it prevents galvanic corrosion.

THE CLAMP features a unique shoulder stud which is securely fastened to one clamp half. This **Controlled Squeeze™** design eliminates over-tightening and rotation while a nylon-insert nut assures a positive lock. Clamps are available in steel (with electro-dichromate finish), and stainless steel. THE CUSHION — Manufactured from a thermoplastic elastomer, it's built tough to withstand the effects of most oils, chemicals and industrial cleaning compounds, in temperatures from -50°F to 275°F. A patented "Living Hinge" allows the cushion to be spread apart for quick, easy installation. Interlock edges and channel locator legs ensure that the cushion remains in place.

INSTALLATION — One man, one tool time savings. Retrofits can be added without disassembling your present system.



**OMEGA SERIES™** – The Omega Series™ clamp assembly retains, guides, protects and uniformly spaces line runs. Attached with two standard fasteners to any flat surface, the Omega Series™ clamp eliminates the use of special channels, providing a savings in both space and cost. They go up fast, lines are rigid and look neat.

THE CLAMP — Available in steel (with electro-dichromate finish), and stainless steel.

### OMEGA SERIES™ (See Page 49)



THE CUSHION — Manufactured from a thermoplastic elastomer, it's built tough to withstand the effects of most oils, chemicals and industrial cleaning compounds, in temperatures from -50°F to 275°F. Interlock edge ensures that the cushion remains in place.

**ALPHA SERIES™** – Designed for the tough jobs, the Alpha Series™ U-Bolt Assembly secures pipe runs to any flat surface. The cushion designed provides total load distribution, allowing the U-Bolt to become a full contact hanger, eliminating knife-edge loading.

The U-Bolt traps and secures the cushion in place to prevent lateral movement, while nylon insert locknuts provide a positive lock. Available in electro-galvanized steel or 316 stainless steel.

The cushion is a thermoplastic elastomer.



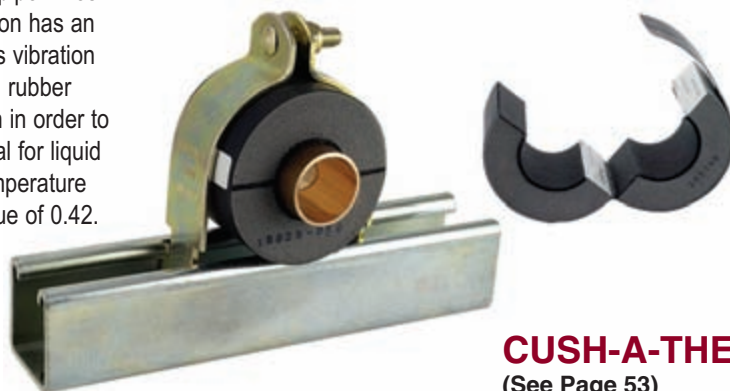
### ALPHA SERIES™ (See Page 50)



# Cushioned Clamping



The **Cush-A-Therm™** clamp is a fast easy way to provide a crush-resistant airtight seal for chilled refrigeration or mechanical pipe-lines that require continuous insulation. The rigid foam construction has an insulating tape inner lining which supports tube and absorbs vibration of operating pipelines. The outer cover consists of a special rubber coating which seals the cushion completely after installation in order to prevent condensation. Its strong closed-cell structure is ideal for liquid cooling lines to prevent condensation and save energy. Temperature rating is designed for use from -70°F to 250°F with a R value of 0.42.



**CUSH-A-THERM™**  
(See Page 53)

The **Saddle-Up** pipe Insulation Saddle is a formed metal shield designed to allow insulated refrigeration pipe or tubing to pass through the support without need to compromise the vapor barrier and protects from crushing or damage at hanger and support locations.

**SADDLE-UP**  
(See Page 54)



COUPLERS & ACCESSORIES

CLAMPING PRODUCTS

COUPLER SPEC'S & LAYOUTS

TECHNICAL DATA

INDEX



**CUSH-A-STRIP™**  
(See Page 52)

**CUSH-A-STRIP™** is manufactured from a thermoplastic elastomer, Cush-A-Strip™ is designed for use from -50°F to 275°F. Cush-A-Strip™ is Packaged in 20 foot rolls in an E-Z dispenser box for convenience in handling and storage.

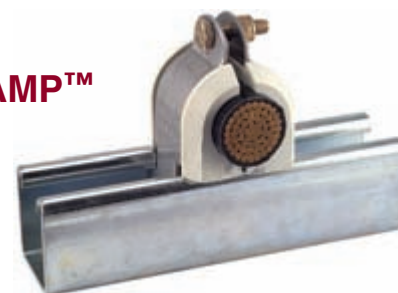
Cush-A-Strip™ is designed for use with standard steel clamps ranging from 1/4" tube to 6" pipe.

The special locking lip edges ensure that Cush-A-Strip™ will remain in place with a balanced grip.

**Porce-A-Clamp™** replaces Porcelain and Maple Cable Clamp. Assembly consists of thermoplastic elastomer cushion with plated or stainless steel clamp. Plated steel and stainless are both supplied with Silicon Bronze bolt and nut used to breakup the magnetic field around the cable at the clamping location.

Porce-A-Clamp™ offers a convenient alternative to troublesome porcelain since it is made from non-breakable material.

**PORCE-A-CLAMP™**  
(See Page 51)



## FLAME RETARDANT PRODUCTS

Foster offers flame retardant options for many of the clamping products. They are available in two different types of cushion. The Flame Retardant/High Hardness cushion is designed for applications such as wire and cable insulation, electrical connectors, seals, gaskets and boots. The Halogen-Free/Flame Retardant cushions contain an optimal combination of rubbers and thermoplastics reactively combined with non halogenated flame retardant additives.

Flame retardant options are indicated by the logos shown below.

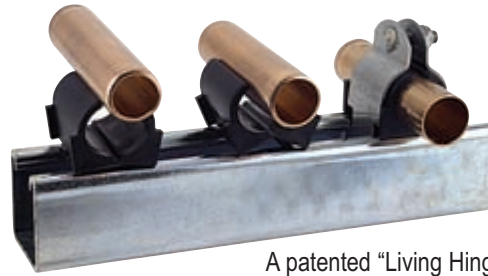




Gold Electro-Galvanized Steel



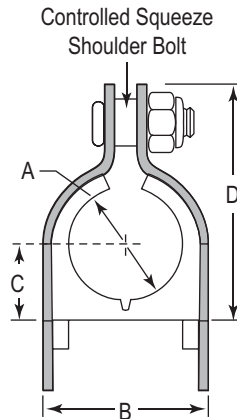
Stainless Steel



A patented "Living Hinge" allows the cushion to be spread apart for quick, easy installation.

**CUSH-A-CLAMP®** — Channel mounted clamping systems are ideal for multiple line runs, while absorbing shock and vibration, reducing unwanted noise and preventing galvanic corrosion. Cush-A-Clamp® fits any standard 1-5/8" wide channel.

Assembly consisting of steel clamp with locknut and thermoplastic elastomer cushion. All parts are marked for easy identification and packaged for small lot or bulk use. When specified, Cush-A-Clamp® assemblies up to 2", are available individually packaged.



**THE CLAMP** — Features a unique shoulder stud which is securely fastened to one clamp half. Steel clamps for tube sizes up to 1-3/8" have the "Controlled Squeeze™" design which eliminates over-tightening and rotation while a nylon-insert nut assures a positive lock. Clamps are available in steel (with electro-dichromate finish), and stainless steel type 304, (Contact factory for type 316).

**THE CUSHION** — Manufactured from a thermo-plastic elastomer, it's built tough to withstand the effects of most oils, chemicals and industrial cleaning compounds, in temperatures from -50°F to 275°F. A patented "Living Hinge" allows the cushion to be spread apart for quick, easy installation. Interlock edges and channel locator legs ensure that the cushion remains in place.

**INSTALLATION** — One man, one tool time savings. Retrofits can be added without disassembly. A patented "Living Hinge" allows the cushion to be spread apart for quick, easy installation on sizes from 1/4" through 1-3/4".

Steel Part No.	Stainless-Steel Part No.	Dimension "A"			Dimensions (inches)			
		*Copper and Steel Tubing	Copper Water Pipe (Nom.)	Nom. Pipe Size	A	B	C	D
004T008	004NS008	1/4"	-	-	0.25	0.62	0.27	0.98
006T010	006NS010	3/8"	1/4"	-	0.37	0.82	0.33	1.13
008T012	008NS012	1/2"	3/8"	-	0.50	0.94	0.40	1.34
009N012	009NS012	-	-	1/4"	0.54	0.98	0.43	1.34
010T014	010NS014	5/8"	1/2"	-	0.62	1.06	0.46	1.54
011N014	011NS014	-	-	3/8"	0.67	1.13	0.49	1.54
012T016	012NS016	3/4"	5/8"	-	0.75	1.20	0.52	1.68
014N018	014NS018	-	-	1/2"	0.84	1.29	0.58	1.82
014T018	014NS018	7/8"	3/4"	-	0.87	1.31	0.58	1.82
016T020	016NS020	1"	-	-	1.00	1.44	0.65	1.95
017N022	017NS022	-	-	3/4"	1.05	1.57	0.70	2.08
018T022	018NS022	1-1/8"	1"	-	1.12	1.57	0.70	2.08
020T024	020NS024	1-1/4"	-	-	1.25	1.70	0.77	2.21
021N026	021NS026	-	-	1"	1.31	1.76	0.81	2.34
022T026	022NS026	1-3/8"	1-1/4"	-	1.37	1.82	0.83	2.34
024N028	024NS028	1-1/2"	-	-	1.50	1.95	0.90	2.47
026N030	026NS030	1-5/8"	1-1/2"	-	1.62	2.07	0.96	2.60
027N032	027NS032	-	-	1-1/4"	1.66	2.17	0.99	2.73
028N032	028NS032	1-3/4"	-	-	1.75	2.2	1.02	2.73
030N034	030NS034	1-7/8"	-	1-1/2"	1.90	2.32	1.09	2.86
032N036	032NS036	2"	-	-	2.00	2.45	1.15	3.04
034N040	034NS040	2-1/8"	2"	-	2.12	2.57	1.27	3.23
038N042	038NS042	2-1/4"	-	-	2.37	2.82	1.41	3.67
038N044	038NS044	2-3/8"	-	2"	2.37	2.82	1.41	3.67
040N046	040NS046	2-1/2"	-	-	2.50	2.94	1.46	3.79
042N048	042NS048	2-5/8"	2-1/2"	-	2.62	3.07	1.53	3.92
046N052	046NS052	2-7/8"	-	2-1/2"	2.87	3.32	1.66	4.17
050N054	050NS054	3"	-	-	3.00	3.57	1.78	4.42
050N056	050NS056	3-1/8"	3"	-	3.12	3.57	1.78	4.42
053N060	053NS060	3-5/16"	-	-	3.31	3.96	1.90	4.75
056N062	056NS062	3-1/2"	-	3"	3.50	3.95	1.97	4.79
058N064	058NS064	3-5/8"	3-1/2"	-	3.62	4.20	2.03	5.11
064N072	064NS072	4"	-	3-1/2"	4.00	4.45	2.28	5.11
066N074	066NS074	4-1/8"	4"	-	4.12	4.57	2.34	5.54
069N076	069NS076	4-5/16"	-	-	4.34	4.96	2.40	5.84
072N080	072NS080	4-1/2"	-	4"	4.50	4.95	2.53	5.92
082N090	082NS090	5-1/8"	5"	-	5.12	5.57	2.84	6.54
089N096	089NS096	-	-	5"	5.56	6.01	3.06	6.92
096N106	096NS106	6"	-	-	6.00	6.57	3.34	7.54
098N106	098NS106	6-1/8"	6"	-	6.12	6.57	3.34	7.54
106N114	106NS114	-	-	6"	6.62	7.07	3.59	8.23

\*Tube O.D. is Cushion I.D. ; Design load deflection data available on request.

Loading Values Mounted in Standard 12 Gage Channel.					
Nut	Torque (In-Lbs)	Products	Pullout (Lbs)	Slip (Lbs)	
				Along	Through
1/4"	40	004T008 - 022T026	1,000	100	100
5/16"	60	024T028 - 050N056	2,200	200	200
3/8"	150	053N050 - 106N114	3,600	600	350

Loads are the same for Stainless Steel Clamps (Example 024NS028)



Gold Electro-Galvanized Steel



### The Omega Series™

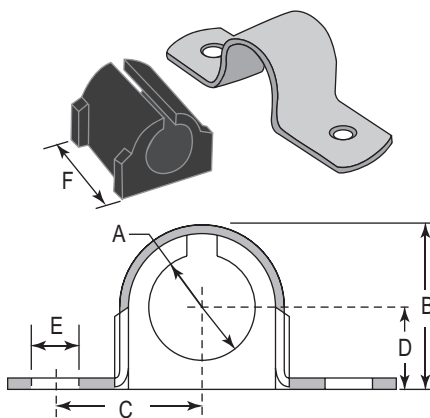
clamp assembly retains, guides, protects and uniformly spaces line runs. Attached with two standard fasteners to any flat surface, the Omega Series™ clamp eliminates the use of special channels, providing a savings in both space and cost. They go up fast, lines are rigid and look neat.



Stainless Steel

**THE CLAMP** — Steel with electro-dichromate finish, or stainless steel type 304.

**THE CUSHION** — Manufactured from a thermoplastic elastomer, it's built tough to withstand the effects of most oils, chemicals and industrial cleaning compounds, in temperatures from -50°F to 275°F. Interlock edge ensures that the cushion remains in place.



Assembly consists of clamp and thermoplastic elastomer cushion. Fasteners not included.

Steel Part No.	Stainless Steel Part No.	Copper & Steel Tubing O.D.	Copper Water Pipe (Nom.)	Pipe Size (Nom.)	Dimensions (inches)						Hanging Design Load
					A	B	C	D	E	F	
004M007	004MS007	1/4"	-	-	0.25	0.48	0.60	0.22	0.26	0.78	50
006M008	006MS008	3/8"	1/4"	-	0.37	0.62	0.66	0.31	0.26	0.81	50
008M011	008MS011	1/2"	3/8"	1/4"	0.50	0.81	0.83	0.40	0.26	0.98	50
010M013	010MS013	5/8"	1/2"	3/8"	0.62	0.93	0.85	0.46	0.26	0.98	50
012M015	012MS015	3/4"	5/8"	-	0.75	1.02	0.90	0.50	0.26	0.98	50
014M017	014MS017	7/8"	3/4"	1/2"	0.87	1.12	1.03	0.53	0.26	0.98	50
016M019	016MS019	1"	-	-	1.00	1.24	1.04	0.59	0.26	0.98	50
018M020	018MS020	-	-	3/4"	1.05	1.40	1.11	0.70	0.26	0.98	50
018M021	018MS021	1-1/8"	1"	-	1.12	1.40	1.17	0.70	0.26	0.98	50
020M024	020MS024	1-1/4"	-	-	1.25	1.60	1.20	0.77	0.26	1.56	50
021M026	021MS026	-	-	1"	1.31	1.71	1.28	0.81	0.26	1.56	50
022M026	022MS026	1-3/8"	1-1/4"	-	1.37	1.71	1.28	0.83	0.26	1.56	50
024M028	024MS028	1-1/2"	-	-	1.50	1.85	1.36	0.90	0.26	1.56	200
026M030	026MS030	1-5/8"	1-1/2"	-	1.62	1.98	1.43	0.96	0.26	1.56	200
027M032	027MS032	-	-	1-1/4"	1.66	2.12	1.55	0.99	0.34	1.56	400
028M032	028MS032	1-3/4"	-	-	1.75	2.12	1.55	1.02	0.34	1.56	400
030M034	030MS034	1-7/8"	-	1-1/2"	1.87	2.25	1.64	1.09	0.34	1.56	400
032M036	032MS036	2"	-	-	2.00	2.38	1.69	1.15	0.34	1.56	400
034M040	034MS040	2-1/8"	-	-	2.12	2.62	1.86	1.27	0.34	1.56	400
038M044	038MS044	2-3/8"	-	2"	2.37	2.88	1.94	1.41	0.34	1.56	400
040M046	040MS046	2-1/2"	-	-	2.50	3.00	2.00	1.47	0.34	1.56	400
042M048	042MS048	2-5/8"	2-1/2"	-	2.62	3.13	2.07	1.53	0.34	1.56	400
046M052	046MS052	2-7/8"	-	2-1/2"	2.87	3.38	2.19	1.65	0.34	1.56	400
050M056	050MS056	3-1/8"	3"	-	3.12	3.68	2.32	1.78	0.34	1.56	400
056M062	056MS062	3-1/2"	-	3"	3.50	4.06	2.50	1.97	0.34	1.56	400
058M064	058MS064	3-5/8"	3-1/2"	-	3.62	4.19	2.57	2.03	0.34	1.56	700
064M072	064MS072	4"	-	3-1/2"	4.00	4.68	2.82	2.28	0.34	1.56	700
066M074	066MS074	4-1/8"	4"	-	4.12	4.84	3.05	2.34	0.43	1.56	800
072M080	072MS080	4-1/2"	-	4"	4.50	5.22	3.24	2.53	0.43	1.56	800
082M090	082MS090	5-1/8"	5"	-	5.12	5.82	3.55	2.84	0.43	1.56	800
089M096	089MS096	-	-	5"	5.56	6.31	4.00	3.06	0.56	1.56	1,200
098M106	098MS106	6-1/8"	6"	-	6.12	6.90	4.31	3.34	0.56	1.56	1,200
106M114	106MS114	-	-	6"	6.62	7.39	4.56	3.58	0.56	1.56	1,200

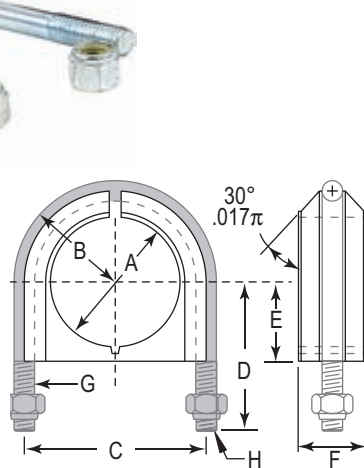
Part No. Suffix	Cushions	Example
none	Thermoplastic elastomer	004M007 (steel) 004MS007 (stainless steel)
N	Flame Retardant	004M007N (steel) 004MS007N (stainless steel)
NH	Flame Retardant Halogen Free	004M007NH (steel) 004MS007NH (stainless steel)

Note: Fasteners not included.

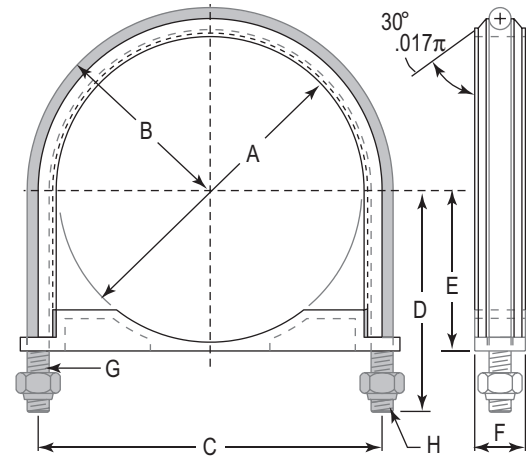


Designed for the tough jobs, the **Alpha Series™** U-Bolt Assembly secures pipe runs to any flat surface. The cushion design provides total load distribution, allowing the U-Bolt to become a full contact hanger, eliminating knife-edge loading. The U-Bolt traps and secures the cushion in place to prevent lateral movement, while nylon insert locknuts provide a positive lock.

**Alpha Series™** U-Bolt Assembly conforms to MIL-S-901D for shock testing.



1/2" thru 6" assembly



8" thru 12" assembly - Two piece cushion design



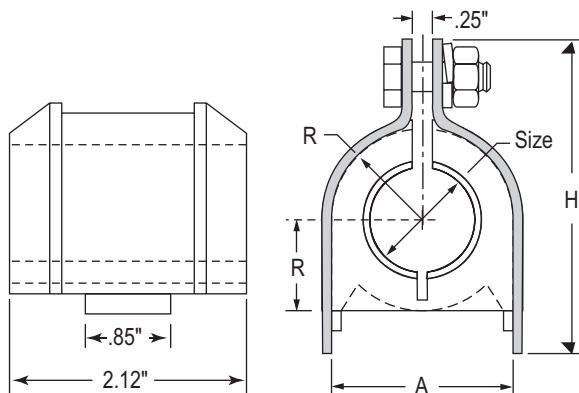
Assy. Part No.	Pipe Size (Nom.)	Tube Size (O.D.)	Dimensions (Inches)								Torque	Design Load	Slip Through
			A Dia.	B Radius	C	D	E	F	G	H			
UB1/2PA	1/2"	-	0.840	0.80	1.60	1.50	0.67	0.68	1/4	1/4-20 UNC-2B	100	485	500
UB7/8TA	-	7/8"	0.875	0.80	1.60	1.50	0.67	0.68	1/4	1/4-20 UNC-2B	100	485	500
UB3/4PA	3/4"	-	1.05	0.90	1.80	1.60	0.78	0.68	1/4	1/4-20 UNC-2B	100	485	500
UB1TA	-	1"	1.00	0.90	1.80	1.60	0.78	0.68	1/4	1/4-20 UNC-2B	100	485	500
UB11/4TA	-	1-1/4"	1.25	1.02	2.05	1.70	0.91	0.68	1/4	1/4-20 UNC-2B	100	485	500
UB1PA	1"	-	1.31	1.02	2.05	1.70	0.91	0.68	1/4	1/4-20 UNC-2B	100	485	500
UB1 3/8TA	-	1-3/8"	1.375	1.02	2.05	1.70	0.91	0.68	1/4	1/4-20 UNC-2B	100	485	500
UB1-1/4PA	1-1/4"	-	1.66	1.27	2.55	2.10	1.08	1.24	3/8	3/8-16 UNC-2B	150	1,220	500
UB1-1/2PA	1-1/2"	-	1.90	1.40	2.80	2.20	1.19	1.24	3/8	3/8-16 UNC-2B	150	1,220	500
UB2PA	2"	-	2.37	1.67	3.35	2.50	1.45	1.24	3/8	3/8-16 UNC-2B	150	1,220	500
UB2-1/2PA	2-1/2"	-	2.87	1.95	3.90	3.00	1.69	1.24	1/2	1/2-13 UNC-2B	200	2,260	500
UB3PA	3"	-	3.50	2.27	4.55	3.30	2.00	1.24	1/2	1/2-13 UNC-2B	200	2,260	500
UB3-1/2PA	3-1/2"	-	4.00	2.52	5.05	3.70	2.25	1.24	1/2	1/2-13 UNC-2B	200	2,260	500
UB4PA	4"	-	4.50	2.50	5.50	3.90	2.50	1.24	1/2	1/2-13 UNC-2B	200	2,260	500
UB5PA	5"	-	5.56	3.25	6.56	4.50	3.03	1.24	1/2	1/2-13 UNC-2B	200	2,260	500
UB6PA	6"	-	6.62	3.87	7.75	5.40	3.56	1.44	5/8	5/8-11 UNC-2B	250	3,620	500
UB8PA	8"	-	8.62	4.85	9.82	6.40	4.56	1.44	5/8	5/8-11 UNC-2B	250	3,620	500
UB10PA	10"	-	10.75	6.08	12.16	7.70	5.68	1.65	3/4	3/4-10 UNC-2B	275	5,420	500
UB12PA	12"	-	12.75	7.13	14.25	8.70	6.68	1.65	3/4	3/4-10 UNC-2B	275	5,420	500

Suffix	Clamp	Cushion	Example
none	Electro-galvanized	Thermoplastic elastomer	UB1/2PA
6	Stainless Steel, Type 316	Thermoplastic elastomer	UB1/2PA6
N6	Stainless Steel, Type 316	Flame Retardant	UB1/2PAN6
N	Electro-galvanized		UB1/2PAN
NH	Electro-galvanized		UB1/2PANH
NH6	Stainless Steel, Type 316	Flame Retardant Halogen Free	UB1/2PANH6



Replaces Porcelain and Maple Cable Clamp. Assembly consists of thermoplastic elastomer cushion with plated or stainless steel clamp. Plated steel and stainless are both supplied with Silicon Bronze bolt and nut.

- Non-breakable material
- Chemical and UV resistant
- **U.L. Listed** - Burning stops within 10 seconds after two applications of ten seconds each of a flame to a test bar with no flaming drips.
- Plated Steel, or Stainless steel clamps
- Tapered flange to protect cable
- Dielectric strength 640 volts per mil
- One piece cushion design, available with Flame Retardant / Halogen Free cushions
- Silicon Bronze Hardware used to Breakup the Magnetic field around the Cable at the Clamping Location.

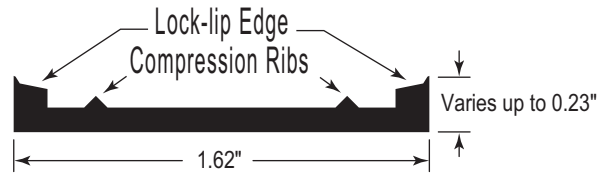


The hinged cushion allows easy installation of the wire, but the components will not get separated and lost or broken.

Part No.	Dimensions (Inches)			Total Assy. Height - H
	Size/ Hole Dia.	A	R	
006CC018	3/8	1.12	0.56	1.82
008CC018	1/2	1.12	0.56	1.82
010CC018	5/8	1.12	0.56	1.82
012CC026	3/4	1.62	0.81	2.34
014CC026	7/8	1.62	0.81	2.34
016CC026	1	1.62	0.81	2.34
018CC026	1-1/8	1.62	0.81	2.34
020CC034	1-1/4	2.12	1.06	2.86
022CC034	1-3/8	2.12	1.06	2.86
024CC034	1-1/2	2.12	1.06	2.86
026CC034	1-5/8	2.12	1.06	2.86
028CC042	1-3/4	2.62	1.31	3.50
030CC042	1-7/8	2.62	1.31	3.50
032CC042	2	2.62	1.31	3.50
034CC042	2-1/8	2.62	1.31	3.50
036CC050	2-1/4	3.12	1.56	4.05
038CC050	2-3/8	3.12	1.56	4.05
040CC050	2-1/2	3.12	1.56	4.05
042CC050	2-5/8	3.12	1.56	4.05
044CC058	2-3/4	3.62	1.81	4.75
046CC058	2-7/8	3.62	1.81	4.75
048CC058	3	3.62	1.81	4.75
050CC058	3-1/8	3.62	1.81	4.75
052CC066	3-1/4	4.12	2.06	5.125
054CC066	3-3/8	4.12	2.06	5.125
056CC066	3-1/2	4.12	2.06	5.125
058CC066	3-5/8	4.12	2.06	5.125
060CC074	3-3/4	4.62	2.31	5.54
062CC074	3-7/8	4.62	2.31	5.54
064CC074	4	4.62	2.31	5.54
066CC074	4-1/8	4.62	2.31	5.54
068CC080	4-1/4	5.00	2.50	5.92
070CC080	4-3/8	5.00	2.50	5.92
072CC080	4-1/2	5.00	2.50	5.92

Suffix	Note: All clamps have Silicon Bronze Hardware		
	Clamp	Cushion	Example
Z	Plated Steel		006CC018Z
S	Stainless Steel		006CC018S
ZH	Plated Steel		006CC018ZH
SH	Stainless Steel		006CC018SH



- Manufactured from a thermoplastic elastomer, Cush-A-Strip™ is designed for use from -50°F to 275°F.
- Easy Stocking – Packaged in 20 foot rolls in an E-Z dispenser box for convenience in handling and storage. **Cush-A-Strip™ roll part number is S-716**
- Easy Measuring – Marked in 1/4" increments for fast measuring and cutting, while eliminating waste.
- Lock-lip edges ensure that Cush-A-Strip™ will remain in place with a balanced grip.
- Clamps ordered Separately. They are available with a standard bolt and nylon lock nut in steel (electro-dichromate), and stainless steel, in sizes ranging from 1/4" tube to 6" pipe.

Cush-A-Strip™ Cutting Guide					
Clamp Part No.		Dimensions (Inches)			
Gold Plated Steel	Stainless Steel Type 304	Clamp Size O.D.	Tube Size O.D.	Pipe Size (Nom.)	Cutting Schedule
N008C	NS008	1/2"	1/4"	–	7/8
N101C	NS101	5/8"	3/8"	–	1-1/8
N012C	NS012	3/4"	1/2"	1/4"	1-1/2
N014C	NS014	7/8"	5/8"	3/8"	2
N016C	NS016	1"	3/4"	–	2-1/4
N018C	NS018	1-1/8"	7/8"	1/2"	3
N020C	NS020	1-1/4"	1"	3/4"	3-1/4
N022C	NS022	1-3/8"	1-1/8"	–	3-5/8
N024C	NS024	1-1/2"	1-3/16"	–	3-7/8
N024C	NS024	1-1/2"	1-1/4"	1"	4
N026C	NS026	1-5/8"	1-3/8"	–	4-1/2
N028C	NS028	1-3/4"	1-1/2"	–	4-7/8
N030C	CS030	1-7/8"	1-5/8"	1-1/4"	5-1/4
N032C	CS032	2"	1-3/4"	–	5-1/2
N034C	CS034	2-1/8"	1-7/8"	1-1/2"	6
N036C	CS036	2-1/4"	2"	–	6-3/8
N038C	CS038	2-3/8"	2-1/8"	–	6-3/4
N040C	CS040	2-1/2"	2-1/4"	–	7-1/4
N042C	CS042	2-5/8"	2-3/8"	2"	7-1/2
N044C	CS044	2-3/4"	2-1/2"	–	8
N048C	CS048	3"	2-3/4"	–	8-3/4
N050C	CS050	3-1/8"	2-7/8"	2-1/2"	9-1/4
N054C	CS054	3-1/4"	3"	–	9-1/2
N060C	CS060	3-3/4"	3-1/2"	3"	11
N068C	CS068	4-1/4"	4"	3-1/2"	12-1/4
N076C	CS076	4-3/4"	4-1/2"	4"	14
N092C	CS092	5-3/4"	–	5"	15-1/2
N110C	CS110	6-7/8"	–	6"	18-1/2

\* Gold Plated Steel Clamps Supplied with Fixed Stud and Nylon Lock Nut  
 \* Stainless Steel Clamps Supplied with fixed Stud and Nylon Lock Nut from 1/2" through 1-3/4" Sizes and 1-7/8" through 6-7/8" Sizes are Supplied with a Loose Bolt and Hex Nut



- (1) Cut appropriate length strip using the cutting schedule shown on right.
- (2) Place the pipe on the Cush-A-Strip™
- (3) Insert the clamps in the strut
- (4) Tighten the clamps.

## AIRTIGHT CRUSH-RESISTANT INSULATION CLAMP



The **Cush-A-Therm™** clamp is a fast easy way to provide a crush-resistant airtight seal for chilled refrigeration or mechanical pipe-lines that require continuous insulation. The rigid foam construction has an insulating tape inner lining which supports tube and absorbs vibration of operating pipelines. The outer cover consists of a special rubber coating which seals the cushion completely after installation in order to prevent condensation. It's strong closed-cell structure is ideal for liquid cooling lines to prevent condensation, save energy, and maintain the vapor barrier.

- Temperature range: -70°F to +250°F (-200°C to +125°C)
- Complete assembly supplied with gold electro-galvanized channel clamp and hardware
- Flammability is Self-Extinguishing as tested under ASTM D 635
- Maintains thermal barrier protection
- Prevents condensation
- Properly supports pipe and tube
- Absorbs vibration
- Polyurethane foam laminated with a rubber lining
- "R" Value = 0.42

### INSTALLATION IS AS EASY AS 1-2-3!



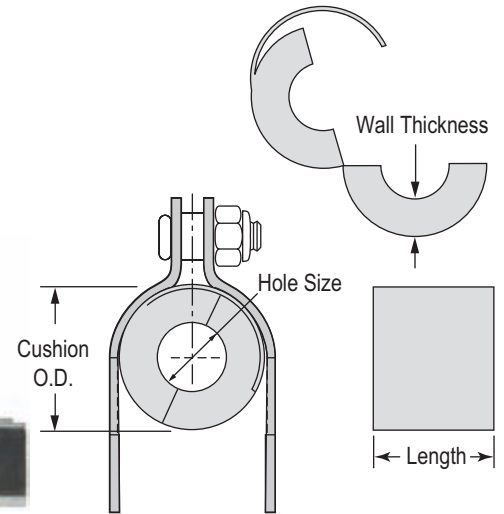
1. Insulation slides over pipes



2. Pipe hanger inserts are put in place and glued to insulation.



3. Joints are wrapped and sealed with ProTape.



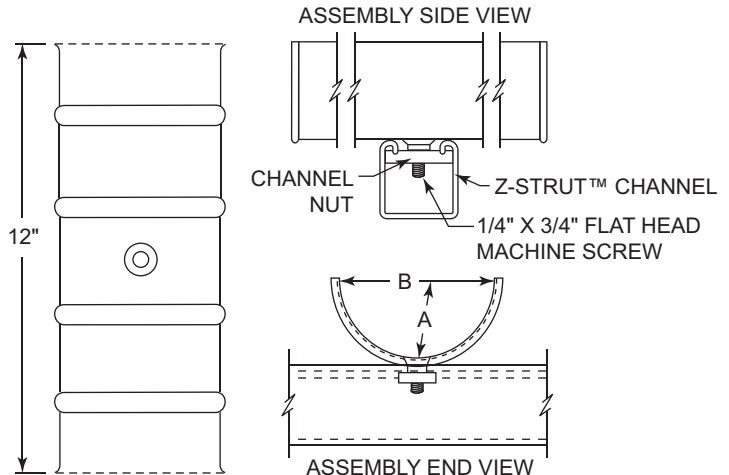
Dimensions (Inches)					Nominal 1/2" Wall Thickness		Nominal 3/4" Wall Thickness		Nominal 1" Wall Thickness		Nominal 1-1/2" Wall Thickness	
Hole Size	Copper Nom. I.D.	Pipe O.D.	IPS	Length	Part No.	Cushion O.D.	Part No.	Cushion O.D.	Part No.	Cushion O.D.	Part No.	Cushion O.D.
3/8 ID	1/4	3/8	-	2.953"	UX3812	1.33	UX3834	1.81	-	-	-	-
1/2 ID	3/8	1/2	1/4	2.953"	UX1212	1.44	UX1234	1.89	-	-	-	-
5/8 ID	1/2	5/8	3/8	2.953"	UX5812	1.56	UX5834	2.05	UX5810	2.54	-	-
3/4 ID	5/8	3/4	-	2.953"	UX3412	1.69	UX3434	2.22	UX3410	2.82	-	-
7/8 ID	3/4	7/8	1/2	2.953"	UX7812	1.81	UX7834	2.44	UX7810	2.82	UX7815	2.32
1-1/8 ID	1	1-1/8	3/4	2.953"	UX11812	2.19	UX11834	2.76	UX11810	3.06	UX11815	3.56
1-3/8 ID	1-1/4	1-3/8	1	2.953"	UX13812	2.31	UX13834	3.19	UX13810	3.33	UX13815	3.83
1-5/8 ID	1-1/2	1-5/8	1-1/4	2.953"	UX15812	2.56	UX15834	3.35	UX15810	3.65	UX15815	4.15
1-7/8 ID	-	1-7/8	-	2.953"	UX17812	2.81	UX17834	3.58	UX17810	4.43	UX17815	4.93
2-1/8 ID	2	2-1/8	-	2.953"	UX21812	3.23	UX21834	3.86	UX21810	4.16	UX21815	4.66
2-3/8 ID	2-1/4	2-3/8	2	2.953"	UX23812	3.48	UX23834	4.29	UX23810	3.92	UX23815	4.42
2-5/8 ID	2-1/2	2-5/8	-	3.937"	UX25812	4.13	UX25834	4.87	UX25810	4.87	UX25815	5.37
2-7/8 ID	-	2-7/8	2-1/2	3.937"	UX27812	4.38	UX27834	4.57	UX27810	4.67	UX27815	5.17
3-1/8 ID	3	3-1/8	-	3.937"	UX31812	4.63	UX31834	5.00	UX31810	5.14	UX31815	5.64
3-1/2 ID	-	3-1/2	3	3.937"	-	-	UX31234	5.35	UX31210	5.89	UX31215	6.39
3-5/8 ID	3-1/2	3-5/8	-	3.937"	UX35812	5.13	UX35834	5.94	-	-	-	-
4-1/8 ID	4	4-1/8	3-1/2	3.937"	UX41812	5.63	UX41834	6.14	UX41810	6.48	UX41815	6.98



The Saddle-Up Pipe Insulation Saddle is a formed metal shield designed to allow insulated refrigeration pipe or tubing to pass through the support without need to compromise the vapor barrier and protects from crushing or damage at hanger and support locations. Made from 20 gage electro-galvanized steel the ribbed design along its 12 inch length offers the superior support needed to spread out loading on insulation which reduces the potential for internal cavity creation between the pipe and insulation. The Z-Strut mounting option provides a time tested secure and safe attachment method so there is no need for other tie downs to the support.

### OTHER FEATURES INCLUDE:

- Shipped with all necessary hardware to attach to Z-Strut or any other industry standard 15/8" wide strut channel.
- Features flared edges to protect pipe insulation jacketing.
- Each Saddle individually marked with part number
- Counter Sunk attachment Hole and Flat Head Machine Screw prevent possible damage to insulation.
- Electro-Galvanized Steel provides excellent rust protection and has no exposed fabricated edges.



Dimensions (Inches)			1/2" Insulation		3/4" Insulation		1" Insulation		1 1/2" Insulation	
Part Number	B Saddle Width	A Radius	OD Tube Size	OD With Insulation	OD Tube Size	OD With Insulation	OD Tube Size	OD With Insulation	OD Tube Size	OD With Insulation
SD150	1 1/2	3/4	3/8	1 3/8	-	-	-	-	-	-
			1/2	1 1/2	-	-	-	-	-	-
SD200	2	1	5/8	1 5/8	3/8	1 7/8	-	-	-	-
			3/4	1 3/4	1/2	2	-	-	-	-
			7/8	1 7/8	-	-	-	-	-	-
SD250	2 1/2	1 1/4	1 1/8	2 1/8	5/8	2 1/8	3/8	2 3/8	-	-
			1 3/8	2 3/8	3/4	2 1/4	1/2	2 1/2	-	-
			-	-	7/8	2 3/8	-	-	-	-
SD300	3	1 1/2	1 5/8	2 5/8	1 1/8	2 5/8	5/8	2 5/8	-	-
			-	-	1 3/8	2 7/8	3/4	2 3/4	-	-
			-	-	-	-	7/8	2 7/8	-	-
SD350	3 1/2	1 3/4	2 1/8	3 1/8	1 5/8	3 1/8	1 1/8	3 1/8	3/8	3 3/8
			2 3/8	3 3/8	-	-	1 3/8	3 3/8	1/2	3 1/2
SD450	4 1/2	2 1/4	2 5/8	3 5/8	2 1/8	3 5/8	1 5/8	3 5/8	5/8	3 5/8
			-	-	2 3/8	3 7/8	-	-	3/4	3 3/4
			-	-	-	-	-	-	7/8	3 7/8
			3 1/8	4 1/8	2 5/8	4 1/8	2 1/8	4 1/8	1 1/8	4 1/8
			-	-	-	-	2 3/8	4 3/8	1 3/8	4 3/8
SD550	5 1/2	2 3/4	3 5/8	4 5/8	3 1/8	4 5/8	2 5/8	4 5/8	1 5/8	4 5/8
			4 1/8	5 1/8	3 5/8	5 1/8	3 1/8	5 1/8	2 1/8	5 1/8
			-	-	-	-	-	-	2 3/8	5 3/8
SD650	6 1/2	3 1/4	-	-	4 1/8	5 5/8	3 5/8	5 5/8	2 5/8	5 5/8
			-	-	-	-	4 1/8	6 1/8	3 1/8	6 1/8

# SPN, SPW Loop Clamps

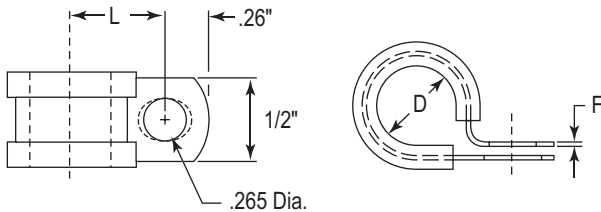


## PLATED STEEL LOOP CLAMPS, 1/2" WIDE



### FEATURES:

- Light to medium duty steel clamp
- EPDM cushion for electrical insulation and vibration absorption
- Steel clamps are zinc electroplated for corrosion resistance
- Some sizes available in aluminum. Contact factory for details.
- Temperature range -50°F to +275°F



SPN					
Plated Steel Part No.	Stainless Steel Part No.	Size In.	Dimensions (inches)		
			D	L	F
SPN-03	SPN-3SS	3/16"	0.188	3/8"	0.032
SPN-04	SPN-4SS	1/4"	0.250	13/32"	0.032
SPN-05	SPN-5SS	5/16"	0.312	7/16"	0.032
SPN-06	SPN-6SS	3/8"	0.375	15/32"	0.032
SPN-07	SPN-7SS	7/16"	0.438	1/2"	0.032
SPN-08	SPN-8SS	1/2"	0.500	17/32"	0.032
SPN-09	SPN-9SS	9/16"	0.562	9/16"	0.032
SPN-10	SPN-10SS	5/8"	0.625	19/32"	0.032
SPN-11	SPN-11SS	11/16"	0.688	5/8"	0.032
SPN-12	SPN-12SS	3/4"	0.750	3/4"	0.032
SPN-14	SPN-14SS	7/8"	0.875	13/16"	0.032
SPN-16	SPN-16SS	1"	1.000	7/8"	0.032
SPN-18	SPN-18SS	1-1/8"	1.125	15/16"	0.032
SPN-20	SPN-20SS	1-1/4"	1.250	1"	0.032
SPN-22	SPN-22SS	1-3/8"	1.375	1-5/32"	0.032
SPN-24	SPN-24SS	1-1/2"	1.500	1-7/32"	0.032
SPN-26	SPN-26SS	1-5/8"	1.625	1-9/32"	0.032
SPN-28	SPN-28SS	1-3/4"	1.750	1-11/32"	0.032
SPN-30	SPN-30SS	1-7/8"	1.875	1-13/32"	0.032
SPN-32	SPN-32SS	2"	2.000	1-15/32"	0.040
SPN-34	SPN-34SS	2-1/8"	2.125	1-17/32"	0.040
SPN-40	SPN-40SS	2-1/2"	2.500	1-23/32"	0.040
SPN-48	SPN-48SS	3"	3.000	1-31/32"	0.040

# SPW Loop Clamps

## PLATED STEEL 3/4" WIDE

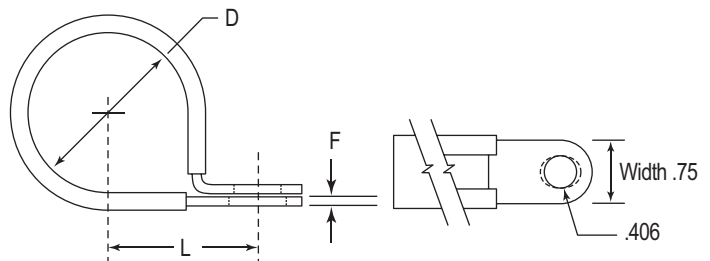


### FEATURES:

- Light to medium duty steel clamp
- EPDM cushion for electrical insulation and vibration absorption
- Steel clamps are zinc electroplate for corrosion resistance
- Color - Silver with black durable cushion.
- Temperature range -50°F to +275°F

Available in stainless steel.

Some sizes available in aluminum. Contact factory for details.



SPW				
Part No.	Size In.	Dimensions (inches)		
		D	L	F
SPW-04	1/4"	0.250	0.656	0.031
SPW-06	3/8"	0.375	0.718	0.031
SPW-08	1/2"	0.500	0.781	0.031
SPW-09	9/16"	0.562	0.812	0.031
SPW-10	5/8"	0.625	0.843	0.031
SPW-12	3/4"	0.750	0.906	0.031
SPW-14	7/8"	0.875	0.968	0.031
SPW-16	1"	1.000	1.031	0.031
SPW-18	1-1/8"	1.125	1.093	0.050



# SPD, HVN, HSN Loop Clamps

## SPD Loop Clamps

2-TUBE CUSHIONED CABLE CLAMPS, PLATED STEEL 3/4" WIDE

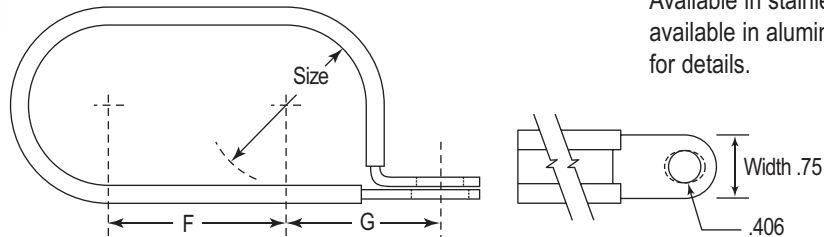


**FEATURES:**

- Medium duty steel clamp that can be slipped over two tubes or multiple wires and closed with a bolt at assembly.
- Steel clamps are zinc electroplate for corrosion resistance
- E.P.D.M. cushion for electrical insulation and vibration absorption
- Temperature range -50°F to +275°F

SPD			
Part No.	Size In.	Dimensions (Inches)	
		F	G
SPD-08	1/2"	0.50	0.764
SPD-12	3/4"	0.75	0.889
SPD-16	1"	1.00	1.014
SPD-20	1-1/4"	1.125	1.159

Available in stainless steel. Some sizes available in aluminum. Contact factory for details.



## HVN Loop Clamps

VINYL DIPPED GALVANIZED STEEL 1/2" WIDE



**FEATURES:**

- Black vinyl plastic coated (PVC)
- Galvanized Steel for corrosion resistance
- Temperature range -25°F to +160°F

## HSN Loop Clamps

STAINLESS STEEL 1/2" WIDE

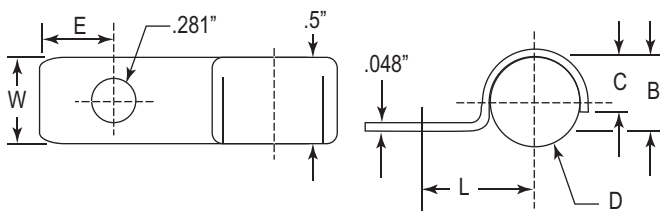
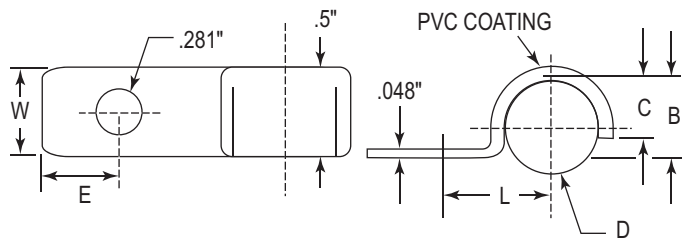


**FEATURES:**

- Stainless steel, Type 301 or 304

HVN							
Part No.	Size In.	Dimensions (Inches)					
		D	L	E	B	C	W
HVN-04	1/4"	0.250	0.500	0.250	0.250	0.188	1/2"
HVN-05	5/16"	0.312	0.531	0.312	0.312	0.218	5/8"
HVN-06	3/8"	0.375	0.562	0.312	0.375	0.281	5/8"
HVN-08	1/2"	0.500	0.687	0.312	0.500	0.343	5/8"
HVN-09	9/16"	0.562	0.750	0.312	0.562	0.437	5/8"
HVN-10	5/8"	0.625	0.812	0.312	0.625	0.406	5/8"
HVN-12	3/4"	0.750	0.875	0.312	0.750	0.468	5/8"

HSN stainless steel							
Part Number	Size In.	Dimensions (Inches)					
		D	L	E	B	C	W
HSN-04	1/4"	0.250	0.500	0.250	0.250	0.188	1/2"
HSN-05	5/16"	0.312	0.531	0.312	0.312	0.218	5/8"
HSN-06	3/8"	0.375	0.562	0.312	0.375	0.281	5/8"
HSN-08	1/2"	0.500	0.687	0.312	0.500	0.343	5/8"
HSN-09	9/16"	0.562	0.750	0.312	0.562	0.437	5/8"
HSN-10	5/8"	0.625	0.812	0.312	0.625	0.406	5/8"
HSN-12	3/4"	0.750	0.875	0.312	0.750	0.468	5/8"

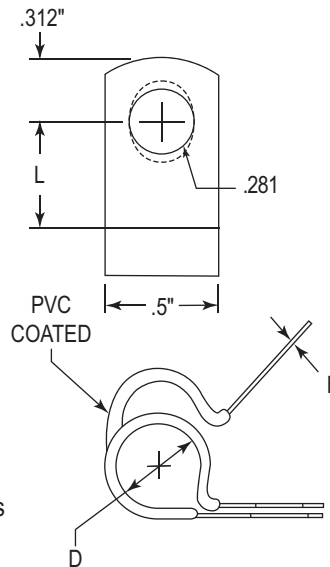






## SVN Loop Clamps

VINYL DIPPED - GALVANIZED STEEL 1/2" WIDE



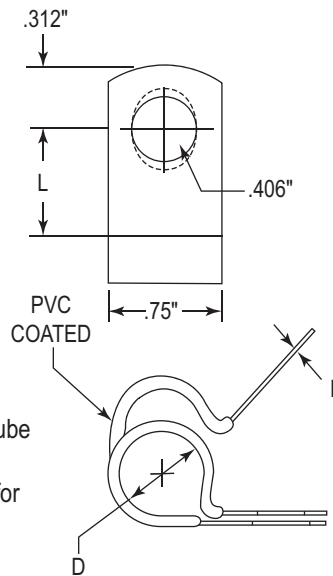
### FEATURES:

- Medium duty steel clamp that can be slipped over a tube or wire and closed with a bolt at assembly. Holes provide easy alignment. Its pre developed shape allows for proper closing and excellent fit of the clamp.
- Galvanized Steel
- PVC coated, black color
- Temperature range -25°F to +160°F

SVN				
Part No.	Size In.	Dimensions (inches)		
		D	L	F
SVN-03	3/16"	0.187	0.500	0.032
SVN-04	1/4"	0.250	0.531	0.032
SVN-05	5/16"	0.312	0.562	0.032
SVN-06	3/8"	0.375	0.593	0.032
SVN-08	1/2"	0.500	0.656	0.048
SVN-09	9/16"	0.562	0.687	0.048
SVN-10	5/8"	0.625	0.718	0.048
SVN-12	3/4"	0.750	0.781	0.048
SVN-14	7/8"	0.875	0.843	0.048
SVN-16	1"	1.000	0.906	0.048
SVN-18	1-1/8"	1.125	0.968	0.048

## SVW Loop Clamps

VINYL DIPPED GALVANIZED STEEL 3/4" WIDE



### FEATURES:

- Medium duty steel clamp that can be slipped over a tube or wire and closed with a bolt at assembly. Holes provide easy alignment. Its pre developed shape allows for proper closing and excellent fit of the clamp.
- Galvanized Steel
- PVC coated, black color
- Temperature range -25°F to +160°F

SVW				
Part No.	Size In.	Dimensions (Inches)		
		D	L	F
SVW-04	1/4"	0.250	0.656	0.032
SVW-05	5/16"	0.312	0.562	0.032
SVW-06	3/8"	0.375	0.0718	0.032
SVW-08	1/2"	0.500	0.781	0.048
SVW-09	9/16"	0.562	0.812	0.048
SVW-10	5/8"	0.625	0.843	0.048
SVW-12	3/4"	0.750	0.906	0.048
SVW-13	13/16"	0.812	0.937	0.048
SVW-14	7/8"	0.875	0.968	0.048
SVW-15	15/16"	0.937	1.000	0.048
SVW-16	1"	1.000	1.031	0.048
SVW-18	1-1/8"	1.125	1.092	0.048
SVW-22	1-3/8"	1.375	1.218	0.048



# LVZ, SSN Loop Clamps

## LVZ Loop Clamps

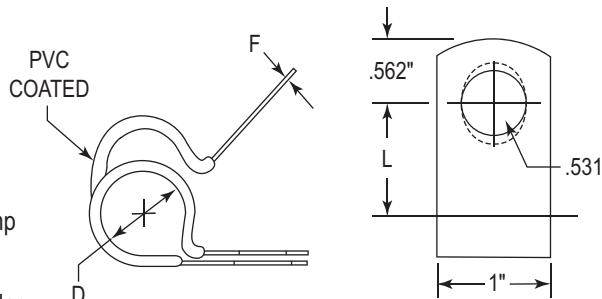
VINYL DIPPED GALVANIZED STEEL 1" WIDE



LVZ				
Part No.	Size In.	Dimensions (inches)		
		D	L	F
LVZ-18	1-1/8"	1.13	1.218	0.048
LVZ-19	1-3/16"	1.19	1.250	0.048
LVZ-20	1-1/4"	1.25	1.281	0.048
LVZ-21	1-5/16"	1.31	1.312	0.048
LVZ-24	1-1/2"	1.50	1.406	0.048
LVZ-25	1-9/16"	1.56	1.437	0.048
LVZ-28	1-3/4"	1.75	1.531	0.048
LVZ-29	1-13/16"	1.81	1.562	0.048
LVZ-32	2"	2.00	1.687	0.048
LVZ-33	2-1/16"	2.06	1.718	0.048
LVZ-36	2-1/4"	2.25	1.812	0.048
LVZ-40	2-1/2"	2.50	1.937	0.048
LVZ-42	2-5/8"	2.63	2.000	0.048
LVZ-44	2-3/4"	2.75	2.062	0.048
LVZ-46	2-7/8"	2.88	2.125	0.048
LVZ-57	3-9/16"	3.56	2.437	0.048

**FEATURES:**

- Heavy duty steel clamp
- Galvanized Steel
- PVC coated, black color
- Temperature range -25°F to +160°F



## SSN Loop Clamps

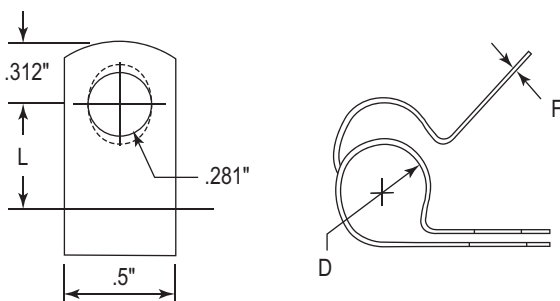
STAINLESS STEEL 1/2" WIDE



**FEATURES:**

- Medium duty steel clamp that can be slipped over a tube or wire and closed with a bolt at assembly. Holes provide easy alignment. Its pre developed shape allows for proper closing and excellent fit.
- Stainless steel, type 301 or 304

SSN Stainless Steel				
Part No.	Size In.	Dimensions (inches)		
		D	L	F
SSN-03	3/16"	0.187	0.500	0.032
SSN-04	1/4"	0.250	0.531	0.032
SSN-05	5/16"	0.312	0.562	0.032
SSN-06	3/8"	0.375	0.593	0.032
SSN-08	1/2"	0.500	0.656	0.048
SSN-09	9/16"	0.562	0.687	0.048
SSN-10	5/8"	0.625	0.718	0.048
SSN-12	3/4"	0.750	0.781	0.048
SSN-14	7/8"	0.875	0.843	0.048
SSN-16	1"	1.000	0.906	0.048
SSN-18	1-1/8"	1.125	0.968	0.048





**STRONG:** Load is applied at right angles to ensure tight fit. Python hose clamps keep their grip on the hose and can be reused. Rolled up band edges ensure a smooth transition between band and hose. Hexagonal screw head with drive slot makes for easy accessibility.

The **Python II** provides greater clamping force with less trouble than heavy-duty T-Bolt type clamps.

- Lower cost than T-Bolts with superb performance.
- Thicker band for greater tensile strength.
- Greater clamping range than T-Bolt 1 1/2" clamping range over 2" diameter
- Zinc plated or 304, 316, or 430 stainless steel
- Non perforated band with embossed threads safely seals without cutting the hose.

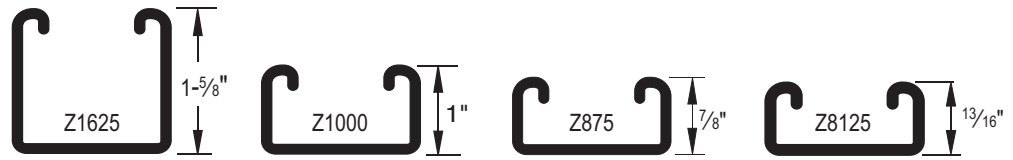


Python – Zinc Plated, or Stainless Steel Type 304				
Zinc Plated Part No.	Stainless Steel Part No.	SAE Size	Clamping Range	
			in.	mm
PY-03	PY-30	3	5/16 - 9/16	8-14
PY-04	PY-40S	4	7/16 - 11/16	11-17
PY-06	PY-60	6	1/2 - 13/16	13-20
PY-08	PY-80S	8	5/8 - 15/16	15-24
PY-10	PY-100	10	3/4 - 1-1/8	19-28
PY-12	PY-120	12	7/8 - 1-1/4	22-32
PY-16	PY-160	16	1-1/16 - 1-1/2	26-38
PY-20	PY-200	20	1-1/4 - 1-3/4	32-44
PY-24	PY-240	24	1-1/2 - 2	38-50
PY-28	PY-280	28	1-3/4 - 2-1/4	44-56
PY-32	PY-320	32	2 - 2-9/16	50-65
PY-40	PY-400	40	2-5/16 - 3	58-75
PY-44	PY-440	44	2-11/16 - 3-3/8	68-85
PY-52	PY-520	52	3 - 3-3/4	77-95
PY-64	PY-640	64	3-7/16 - 4-7/16	87-112
PY-80	PY-800	80	4-1/8 - 5-7/16	104-138
PY-96	PY-960	96	5-1/8 - 6-1/2	130-165
PY-104	PY-1040	104	5-7/8 - 7-1/8	150-180
PY-122	PY-1220	122	6-7/8 - 8-1/8	175-205
PY-138	PY-1380	138	7-7/8 - 9-1/8	200-231
PY-154	PY-1540	154	8-7/8 - 10-1/16	226-256
PY-170	PY-1700	170	9-7/8 - 11-1/8	251-282
PY-186	PY-1860	186	10-7/8 - 12-1/8	277-307

Python II – Stainless Steel Type 316		
Part No.	Clamping Range	
	in.	mm
PY-331	5/16 - 9/16	8-14
PY-431	7/16 - 11/16	11-17
PY-631	1/2 - 13/16	13-20
PY-831	5/8 - 15/16	15-24
PY-1031	3/4 - 1-1/8	19-28
PY-1231	7/8 - 1-1/4	22-32
PY-1631	1-1/16 - 1-1/2	26-38
PY-2031	1-1/4 - 1-3/4	32-44
PY-2431	1-1/2 - 2	38-50
PY-2831	1-1/4 - 2-1/4	32-57
PY-3231	1/2 - 2-1/2	38-64
PY-3631	1-3/4 - 2-3/4	44-70
PY-4031	2 - 3	51-76
PY-4431	2-1/4 - 3-1/4	57-83
PY-4831	2-1/2 - 3-1/2	64-89
PY-5231	2-3/4 - 3-3/4	70-95
PY-5631	3 - 4	76-102
PY-6031	3-1/4 - 4-1/4	83-108
PY-6431	3-1/2 - 4-1/2	89-114
PY-7231	3-1/2 - 5	89-127
PY-8031	4 - 5-1/2	102-140
PY-8831	4 - 1/2-6	114-152
PY-9631	5 - 6-1/2	127-165
PY-10431	5-1/2 - 7	140-178
PY-11231	6 - 7-1/2	152-191
PY-12031	6-1/2 - 8	165-203
PY-12831	7 - 8-1/2	178-216
PY-13831	7-5/8 - 9-1/8	194-232
PY-15431	8-5/8 - 10-1/8	219-257
PY-17031	9-5/8 - 11-1/8	244-283
PY-18631	10-5/8 - 12-1/8	270-308



# Z-Strut and Z-Strut Clamps



All Z-Strut is 1-5/8" Wide, With 7/8" opening

## STRUT PRODUCTS

Foster offers a line of standard strut channel and a variety of clamps tailored for use with strut. Cush-A-Clamp®, Cush-A-Therm™, and Porce-A-Clamp™ provide cushioned clamping solutions.

Complementing products are offered for quick connection of pipe, tube and hose to strut.

Foster's family of cushioned clamps presented earlier in the catalog offer solutions for isolation of the pipes from vibration or thermal transfers. And, "fire retardant" and "fire retardant, halogen free" options are available.

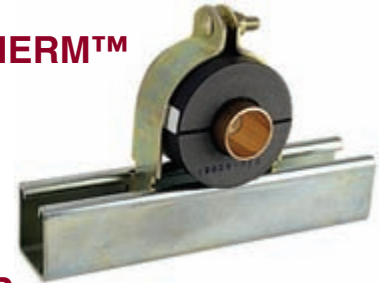


**CUSH-A-CLAMP®**  
(See Page 48)

**PORCE-A-CLAMP™**  
(See Page 51)



**CUSH-A-THERM™**  
(See Page 53)



**SADDLE-UP**  
(See Page 54)



**CUSH-A-CLIP**  
(See Page 63)



Foster's family of non-metallic strut clamps allow quick and easy attachment of pipe, tube, and hose to Z-Strut support channels and are corrosion resistant. They are all a great and cost effective alternative to metallic clamps.

**CUSH-A-CLAW**  
(See Page 65)



**CUSH-A-CLICK**  
(See Page 64)



**CUSH-A-GRIP™**  
(See Page 63)

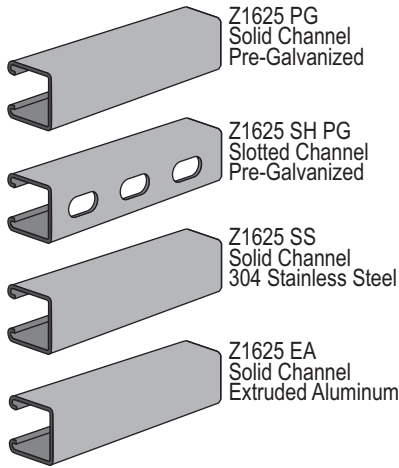
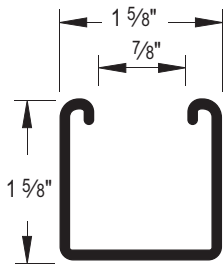


**QUICK-CLIP**  
(See Page 64)





## Z1625 Series

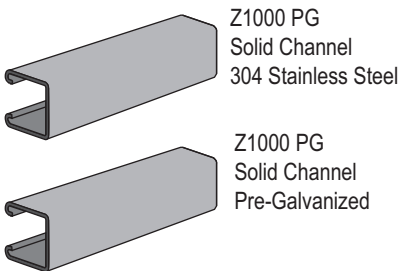
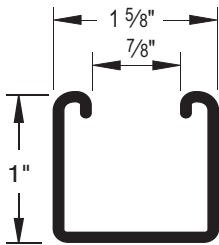


Solid Channel			Slotted Channel	Length	Steel Channel Wt. Each	Aluminum Channel Wt. Each
Pre-galvanized Part No.	Stainless Steel Type 304 Part No.	Extruded Aluminum Part No.	Pre-galvanized Part No.			
Z1625-06PG	Z1625-06SS	Z1625-06EA	Z1625SH-06PG	0' - 6"	0.95	0.38
Z1625-12PG	Z1625-12SS	Z1625-12EA	Z1625SH-12PG	1' - 0"	1.90	0.76
Z1625-18PG	Z1625-18SS	Z1625-18EA	Z1625SH-18PG	1' - 6"	3.04	1.22
Z1625-24PG	Z1625-24SS	Z1625-24EA	Z1625SH-24PG	2' - 0"	3.80	1.52
Z1625-30PG	Z1625-30SS	Z1625-30EA	Z1625SH-30PG	2' - 6"	4.94	1.98
Z1625-36PG	Z1625-36SS	Z1625-36EA	Z1625SH-36PG	3' - 0"	5.70	2.28
Z1625-42PG	Z1625-42SS	Z1625-42EA	Z1625SH-42PG	3' - 6"	6.84	2.74
Z1625-48PG	Z1625-48SS	Z1625-48EA	Z1625SH-48PG	4' - 0"	7.60	3.04
Z1625-54PG	Z1625-54SS	Z1625-54EA	Z1625SH-54PG	4' - 6"	8.74	3.50
Z1625-60PG	Z1625-60SS	Z1625-60EA	Z1625SH-60PG	5' - 0"	9.50	3.80

### MATERIAL/FINISH

- Pre-galvanized – Steel conforming to ASTM A653 GR 33
- Stainless Steel - Type 304 Stainless Steel conforming to ASTM A 240 (Type 304)
- Aluminum - Extruded Aluminum conforming to ASTM B221 (Type 6063-T6)

## Z1000 Series



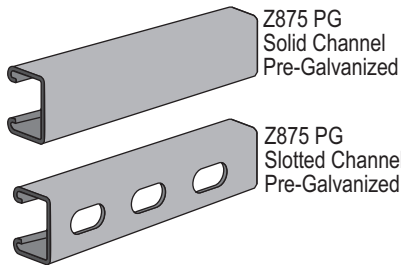
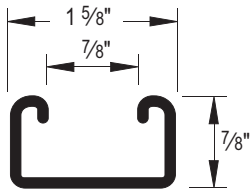
Z1000 - 1 5/8" x 1" Channel, 12 Ga. Solid Channel			
Pre-galvanized Part No.	Stainless Steel Type 304 Part No.	Length	Weight
Z1000-06PG	Z1000-06SS	0' - 6"	0.70
Z1000-12PG	Z1000-12SS	1' - 0"	1.40
Z1000-18PG	Z1000-18SS	1' - 6"	2.24
Z1000-24PG	Z1000-24SS	2' - 0"	2.80
Z1000-30PG	Z1000-30SS	2' - 6"	3.64
Z1000-36PG	Z1000-36SS	3' - 0"	4.20
Z1000-42PG	Z1000-42SS	3' - 6"	5.04
Z1000-48PG	Z1000-48SS	4' - 0"	5.60
Z1000-54PG	Z1000-54SS	4' - 6"	6.44
Z1000-60PG	Z1000-60SS	5' - 0"	7.00

### MATERIAL/FINISH

- Pre-galvanized – Steel conforming to ASTM A653 GR 33
- Stainless Steel - Type 304 Stainless Steel conforming to ASTM A 240 (Type 304)



## Z875 Series

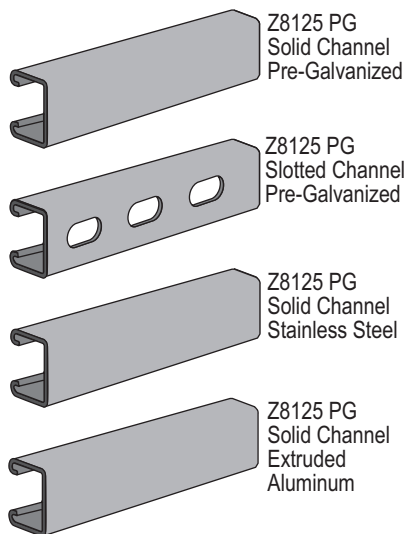
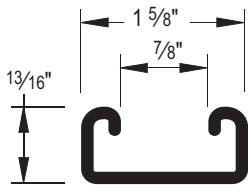


<b>Z875 - 1<sup>5</sup>/<sub>8</sub>" x 7<sup>7</sup>/<sub>8</sub>" Channel, 12 Ga.</b>			
Solid Channel		Slotted Channel	
Pre-galvanized Part No.	Pre-galvanized Part No.	Length	Wt. Each
Z875-06PG	Z875SH-06PG	0' – 6"	0.68
Z875-12PG	Z875SH-12PG	1' – 0"	1.35
Z875-18PG	Z875SH-18PG	1' – 6"	2.16
Z875-24PG	Z875SH-24PG	2' – 0"	2.70
Z875-30PG	Z875SH-30PG	2' – 6"	3.51
Z875-36PG	Z875SH-36PG	3' – 0"	4.05
Z875-42PG	Z875SH-42PG	3' – 6"	4.86
Z875-48PG	Z875SH-48PG	4' – 0"	5.40
Z875-54PG	Z875SH-54PG	4' – 6"	6.21
Z875-60PG	Z875SH-60PG	5' – 0"	6.75

### MATERIAL/FINISH

- Pre-galvanized – Steel conforming to ASTM A653 GR 33
- Stainless Steel - Type 304 Stainless Steel conforming to ASTM A 240 (Type 304)
- Aluminum - Extruded Aluminum conforming to ASTM B221 (Type 6063-T6)

## Z8125 Series



<b>Z8125 - 1<sup>5</sup>/<sub>8</sub>" x 1<sup>3</sup>/<sub>16</sub>" Channel, 14 Ga.</b>						
Solid Channel			Slotted Channel	Length	Steel Channel Wt. Each	Aluminum Channel Wt. Each
Pre-galvanized Part No.	Stainless Steel Type 304 Part No.	Extruded Aluminum Part No.	Pre-galvanized Part No.			
Z8125-06PG	Z8125-06SS	Z8125-06EA	Z8125SH-06PG	0' – 6"	0.49	0.23
Z8125-12PG	Z8125-12SS	Z8125-12EA	Z8125SH-12PG	1' – 0"	0.97	0.45
Z8125-18PG	Z8125-18SS	Z8125-18EA	Z8125SH-18PG	1' – 6"	1.55	0.72
Z8125-24PG	Z8125-24SS	Z8125-24EA	Z8125SH-24PG	2' – 0"	1.94	0.90
Z8125-30PG	Z8125-30SS	Z8125-30EA	Z8125SH-30PG	2' – 6"	2.52	1.17
Z8125-36PG	Z8125-36SS	Z8125-36EA	Z8125SH-36PG	3' – 0"	2.91	1.35
Z8125-42PG	Z8125-42SS	Z8125-42EA	Z8125SH-42PG	3' – 6"	3.49	1.62
Z8125-48PG	Z8125-48SS	Z8125-48EA	Z8125SH-48PG	4' – 0"	3.88	1.80
Z8125-54PG	Z8125-54SS	Z8125-54EA	Z8125SH-54PG	4' – 6"	4.46	2.07
Z8125-60PG	Z8125-60SS	Z8125-60EA	Z8125SH-60PG	5' – 0"	4.85	2.25

### MATERIAL/FINISH

- Pre-galvanized – Steel conforming to ASTM A653 GR 33
- Stainless Steel - Type 304 Stainless Steel conforming to ASTM A 240 (Type 304)
- Aluminum - Extruded Aluminum conforming to ASTM B221 (Type 6063-T6)

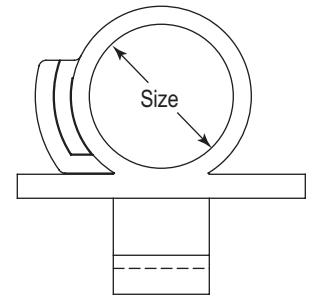


## A SIMPLE, ECONOMICAL, LIGHTWEIGHT HANGER FOR SUPPORTING TUBING

Multi-size adjustment capability allows four clamp sizes to fit fifteen sizes of tube and pipe. Comes complete with stainless steel bolt and captured nylon lock nut hardware.

- Manufactured from polyamide alloy
- U.L. Rated
- Sizes from 3/8" to 1-1/8"
- One piece design makes installation a snap
- No nuts to tighten, no parts to lose
- Temperatures from -40°F to 275°F
- Secure but non-tightening design allows for expansion, greatly reducing joint fractures

Part Number	Tube Sizes Only	Wt./100
RPC-3/8"	3/8"	2.5
RPC-1/2"	1/2"	2.5
RPC-5/8"	5/8"	3.0
RPC-3/4"	3/4"	3.0
RPC-7/8"	7/8"	4.5
RPC-1-1/8"	1-1/8"	4.5



# Cush-A-Grip™



## FEATURES

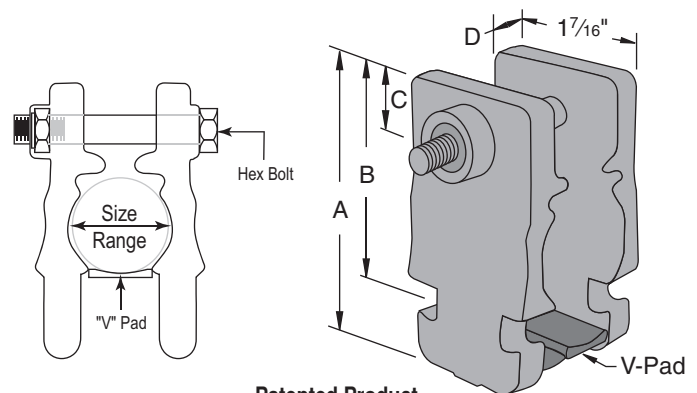
- Ten sizes of tube, five sizes of pipe
- Diameters from .25" to 1.31" (6mm to 32mm)

## ADVANTAGES

- Reduces inventory SKU's
- Simplifies takeoffs and requirements on projects using both tube and pipe sizes
- Easy installation, Non conducting
- Permissible outdoors
- Temperature range: -40°F to +380°F
- No galvanic reaction, Will not rust,

## BENEFITS

- Lowers overall inventory costs
- Works with screw or nut driver
- Resists vibration
- Use in place of steel clamps with steel tube
- Multi-environmental
- Covers a wide range of applications and maintains thermal barrier
- For use on copper tube
- Use in place of stainless, aluminum, PVC or hot dipped galvanized clamps



Part No.	O.D. Tube Sizes			Pipe Sizes	Metric Sizes	Diameters (in)
CG-10	1/4"	3/8"	1/2"	1/4"	6mm - 14mm	0.25 - 0.54
CG-20	5/8"	3/4"	7/8"	3/8" - 1/2"	15mm - 22mm	0.62 - 0.87
CG-30	7/8"	1"	1-1/8"	3/4"	22mm - 28mm	0.87 - 1.12
CG-40	1"	1-1/8"	1-1/4"	3/4" - 1"	26mm - 32mm	1.00 - 1.31

Part No.	Nominal Pipe Size	Dimensions				Hex Head Cap Screw & Lock Nut
		"A"	"B"	"C"	"D"	
CG-10	1/4"	1-15/16"	1-3/8"	3/8"	3/16"	1/4"-20 x 1-1/2"
CG-20	3/8"	2-3/8"	1-5/8"	7/16"	1/4"	1/4"-20 x 2"
CG-30	1/2"	2-9/16"	1-13/16"	7/16"	5/16"	1/4"-20 x 2"
CG-40	3/4"	2-11/16"	1-15/16"	7/16"	5/16"	1/4"-20 x 2"



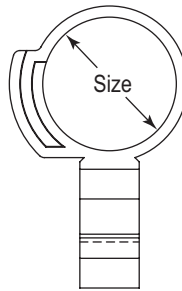
# Cush-A-Click, Quick-Clip

## Cush-A-Click



The great advantage with the **Cush-A-Click** is it retains an unbroken vapor barrier seal, eliminating the problem of sweating on metal fittings. The Cush-A-Click is ideal for the installation of refrigeration systems allowing the barrier seal to run the length of the pipe work without cutting the insulation material. The Cush-A-Click quickly secures both the pipe and the insulation.

- Time and labor savings
- Simple, secure installation of refrigeration and plumbing pipe work
- No break insulation material
- Corrosion resistance
- Light weight



CLAMPING RANGE					
Part No.	Standard Copper	Metric Copper	Copper Pipe		Condensate Drain
	(No Insulation)		with 3/8" Insulation	with 1/2" Insulation	
CC12	3/4"	-	-	-	-
CC14	7/8"	22mm	-	-	yes
CC16	1"	-	1/4" pipe	-	-
CC18	1-1/8"	28mm	3/8" pipe	-	-
CC20	1-1/4"	-	1/2" pipe	1/4" pipe	-
CC22	1-3/8"	-	5/8" pipe	3/8" pipe	yes
CC24	1-1/2"	-	7/8" pipe	5/8" pipe	-
CC26	1-5/8"	42mm	1-1/8" pipe	3/4" pipe	yes
CC32	2"	-	-	7/8" pipe	-
CC34	2-1/8"	54mm	1-3/8" pipe	1-1/8" pipe	yes

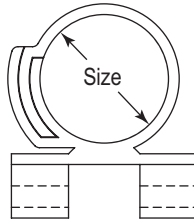
Inside diameter: Certain clips have two or more positions to accommodate both metric and standard sizes

## Quick-Clip



**Quick-Clip's** unique one-piece composite polyamide alloy design combines strength with light weight. It will overcome the problems of using cable ties for piping, electrical, optical and network cabling

- Quick Clip locates easily on 3/8" rod
- No breaks in insulation material
- Fast and easy installation, saves time and money
- Single handed installation
- Manufactured from a composite polyamide, tested from -40°F to + 275°F, makes it ideal for network cables
- Studding panel inserts



CLAMPING RANGE					
Part No.	Standard Copper	Metric Copper	Copper Pipe		Condensate Drain
	(No Insulation)		with 3/8" Insulation	with 1/2" Insulation	
QC12	3/4"	-	-	-	-
QC14	7/8"	22mm	-	-	yes
QC16	1"	-	1/4" pipe	-	-
QC18	1-1/8"	28mm	3/8" pipe	-	-
QC20	1-1/4"	-	1/2" pipe	1/4" pipe	-
QC22	1-3/8"	-	5/8" pipe	3/8" pipe	yes
QC24	1-1/2"	-	7/8" pipe	5/8" pipe	-
QC26	1-5/8"	42mm	1-1/8" pipe	3/4" pipe	yes
QC32	2"	-	-	7/8" pipe	-
QC34	2-1/8"	54mm	1-3/8" pipe	1-1/8" pipe	yes

Inside diameter: Certain clips have two or more positions to accommodate both metric and standard sizes



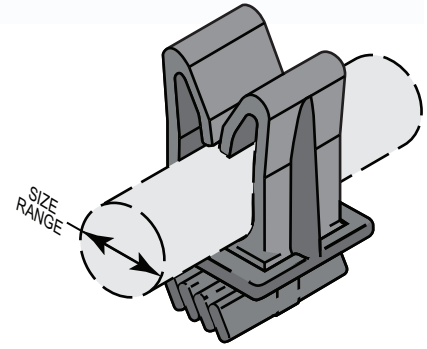
Slide onto threaded rod, twist to engage  
Insert pipe and clip to lock





The Cush-A-Claw Grabs on to your Tube, Pipe, or Hose and holds it in place. The unique one piece patent pending design allows for quick, simple, and easy installation. It will not rust because it's molded from the same choice TPE Material of some of our other products that you've come to know and trust.

- Quick, Simple, and Easy Snap-in Installation of Tube, Pipe, or Hose
- Sure Grip Strut Base easily rotates into strut
- Will not Rust, Non Conducting
- Saves Time and Money
- Temp Range: -50° to 275° F
- Works Great Indoors or Outdoors
- Six Sizes of Tube and Three Sizes of EMT
- Designed for Light Duty Loads and Applications
- Prevents Galvanic Corrosion of Dissimilar Metals
- An Excellent Alternative to Steel, Stainless Steel, or Galvanized Clamps.



Part No.	O.D. Tube Size		Part No.	EMT Conduit Sizes	
	O.D. Size	Inches		EMT Size	Inches
CL-06	3/8"	0.375	EMT-1/2	1/2"	0.706
CL-08	1/2"	0.500	EMT-3/4	3/4"	0.922
CL-10	5/8"	0.625	EMT-1	1"	1.163
CL-12	3/4"	0.750			
CL-14	7/8"	0.875			
CL-18	1-1/8"	1.125			

**250 lbs.  
Max Load**

**25 lbs.  
Max Load**



**50 lbs.  
Max Load**



**20 lbs. Max Load**

Note: Slip load shown will vary depending upon channel manufacturer specifications



# Gamma Anti-Vibration Pads

## GAMMA PADS

When installing pipe, tube, hose, or equipment the effects of vibration, shock, surge, galvanic corrosion and unwanted noise are a major concern. Improperly cushioned equipment, pipe, tube, or hose invites failure and potential problems. New developments in cushioned clamping and vibration isolation products from ZSi provide the proper solutions to combat these effects.

ZSi's products have earned a well-deserved reputation for unparalleled quality and effectiveness. As industry develops new needs, ZSi can and will respond with superior quality products and innovative solutions.



**EXTREME**



**STANDARD**

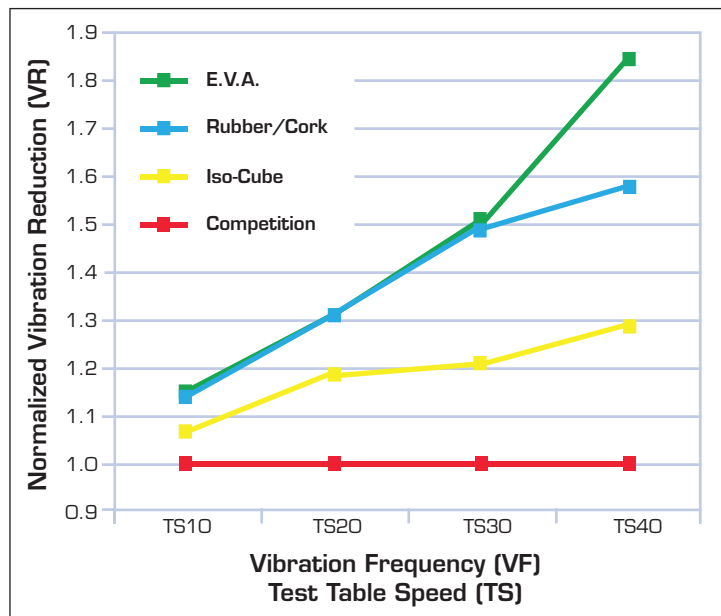


**ISO-CUBE**



**SHIELD**

**ANTI-VIBRATION PAD PERFORMANCE**





## GAMMA SHIELD – RUBBER MAT

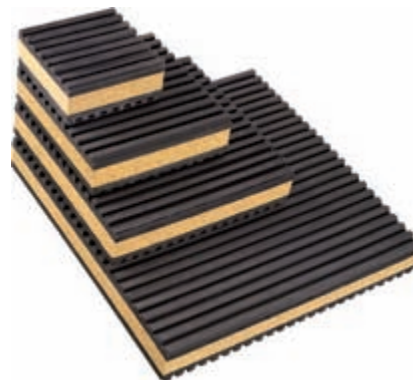
Shields equipment from vibration and movement when lesser amounts of vibration absorption is needed.



Part No.	Description
AR-2	2" x 2" x 3/8" All Rubber AV Pad
AR-3	3" x 3" x 3/8" All Rubber AV Pad
AR-4	4" x 4" x 3/8" All Rubber AV Pad
AR-6	6" x 6" x 3/8" All Rubber AV Pad
AR-18	18" x 18" x 3/8" All Rubber AV Pad

## GAMMA STANDARD PAD

The Industry Standard Highest quality elastomeric oil resistant padding. Designed to withstand 50 psi. The rubber pads are corrugated on both sides and laminated to the cork center.



Part No.	Description
AC-2	2" x 2" x 7/8" Cork / Rubber AV Pad
AC-3	3" x 3" x 7/8" Cork / Rubber AV Pad
AC-4	4" x 4" x 7/8" Cork / Rubber AV Pad
AC-6	6" x 6" x 7/8" Cork / Rubber AV Pad
AC-18	18" x 18" x 7/8" Cork / Rubber AV Pad

## ISO - CUBE — SOLID RUBBER TOUGH

Natural rubber pads designed to reduce vibration and noise emanating from refrigeration or AC equipment. Circular design offers a suction cup effect eliminating the need to bolt the pads down. A standard 18" pad divides into eighty-one 2" segments which may be cut or torn into smaller pads. The 50 durometer pads will withstand a load of 180 psi with great resiliency.



Part No.	Description
AS-2	2" x 2" x 3/4" Iso-Cube
AS-18	18" x 18" x 3/4" Iso-Cube

## GAMMA EXTREME PAD

The **BEST** Performer E.V.A. (Extreme Vibration Attenuation) is the latest generation in vibration dampening technology. In the most severe vibration extremes, testing shows the E.V.A. pad outperforms cork and rubber by greater than 3:1 and outperforms our competitor's "waffle" pad by greater than 8:1! The enhanced performance comes from the special composite foam center which is structurally more sound than cork. E.V.A. is not affected by oils or chemicals that can break down cork and is much more effective at vibration dampening than solid rubber.

Designed to withstand 50 psi. Choose E.V.A. to get the best of both worlds!



Part No.	Description
AV-2	2" x 2" x 7/8" EVA Pad
AV-3	3" x 3" x 7/8" EVA Pad
AV-4	4" x 4" x 7/8" EVA Pad
AV-6	6" x 6" x 7/8" EVA Pad
AV-18	18" x 18" x 7/8" EVA Pad



# Specifications for Industrial Interchange and Non Standard Interchange

**Type:** One Way Shut-Off – Socket is valved, shutting off supply line at disconnect. Plug is un-valved, exhausting downstream line at disconnect. Install socket on pressure side of line.

**Interchangeability:** Standard industrial interchange design, most widely used in industry. 3 and 5 Series Automatic water service comply with **A-A-59439** (formerly MIL-C-4109F). 3-4-5-6 SERIES MEET ISO 6150-B, ANSI(NFPA)T3.20.14-1990. IN ADDITION, SV SOCKETS MEET ISO 4414.

## Operation:

**Manual:** Low cost, general purpose coupler

- Positive locking mechanism
- 65% more ball retention
- Precision leakproof seal
- Heavy steel sleeve.

**Automatic:** One hand operation

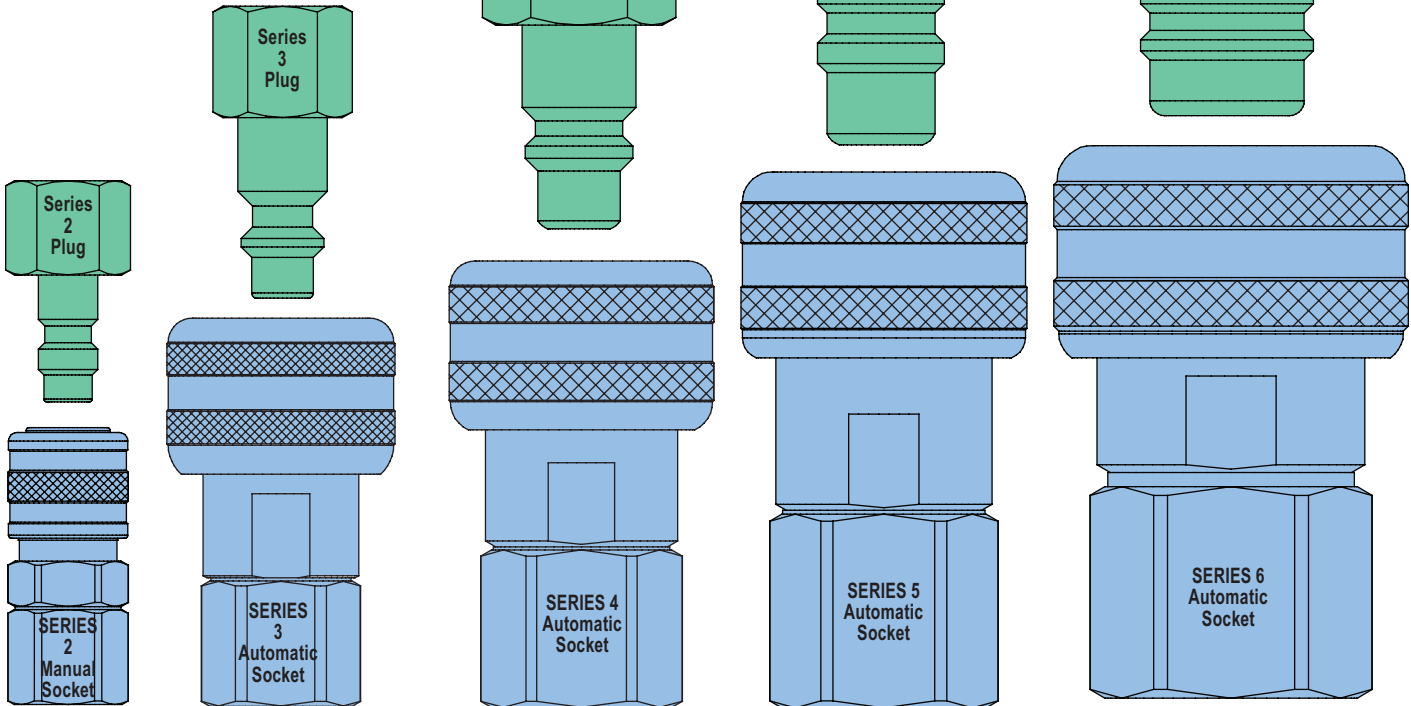
- One piece sleeve with rear crimp
- Precision leakproof seal
- Long wearing pin type locking mechanism with greater plug contact

**Safety:** 100% safety

- Connect and disconnect at “O” pressure
- Plug is securely locked before air is turned on
- Downstream line is exhausted before plug is released, completely eliminating hose whip
- Tested to 100,000 operations with no leakage
- Special lubrication eliminates dry breakaway
- Can be used as 3-Way on-off valve without disconnecting.

**Working Pressure –** 300 PSIG; Vacuum to 26"Hg (connected)

## Actual Size Layouts: Series 2, 3, 4, 5, & 6 Industrial Interchange



**Optional Seal [Ordering]:** Sockets are normally supplied with Buna-N seal compound. Other seals are available as shown in the table below and are specified by adding the appropriate suffix to the catalog number.

Service	Construction	Seal Compound	Temperature	To Order
Air	Brass & Steel	Buna-N	-40° to +225°F	Cat. No.
Water	Brass & S/S	Buna-N	+32° to +100°F	Suffix W
Steam	Brass & S/S	Ethylene Propylene	-40° to +325°F	Suffix S
Heat	Brass & Steel	Viton	-40° to +400°F	Suffix H
Grease & Oil	Brass & Steel	Buna-N	-40° to +225°F	Cat. No.
Vacuum	Brass & Steel	Buna-N	-40° to +225°F	Cat. No.
Less Valve	Brass & Steel	Buna-N	-40° to +225°F	Suffix LV

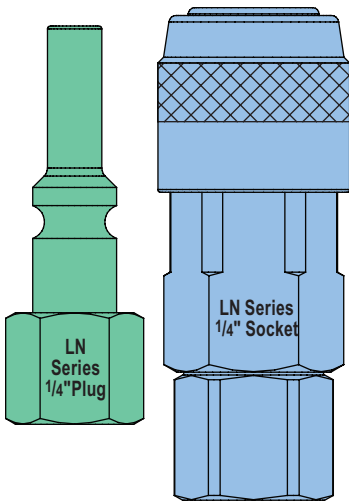
## Performance Data

	Air Flow – CFM				Water Flow	
	100 PSIG		80 PSIG		GPM – 60 PSIG	
	Pressure Drop				Pressure Drop	
	10 PSIG	5 PSIG	10 PSIG	5 PSIG	10 PSIG	5 PSIG
2 Series	16	12	14	11	1.8	1.2
3 Series	36	26	33	24	3.7	2.5
4 Series	68	50	62	45	6.8	5
5 Series	118	90	107	82	11	8
6 Series	190	135	172	122	22	16

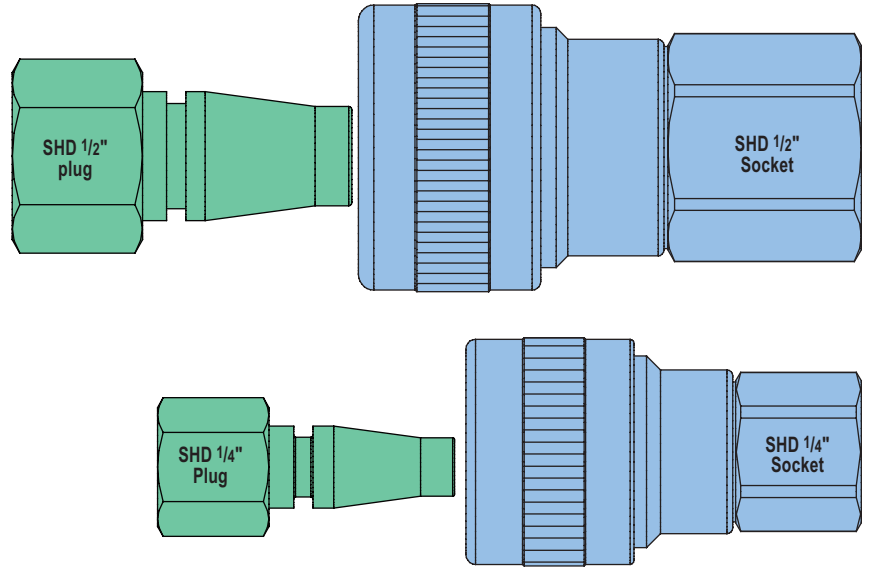
**NOTE: All Layouts are Actual Size**



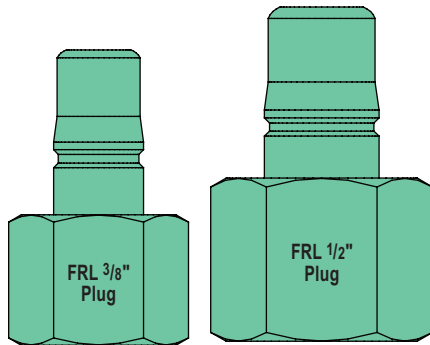
## LN Series



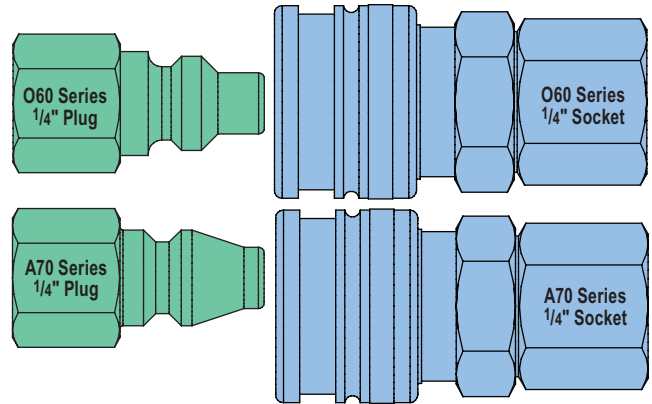
## SHD Series



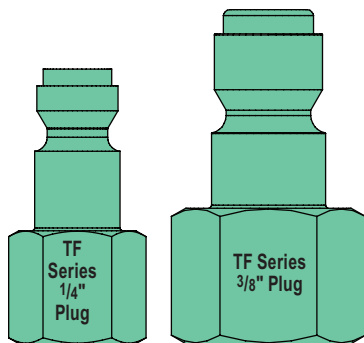
## FRL Series



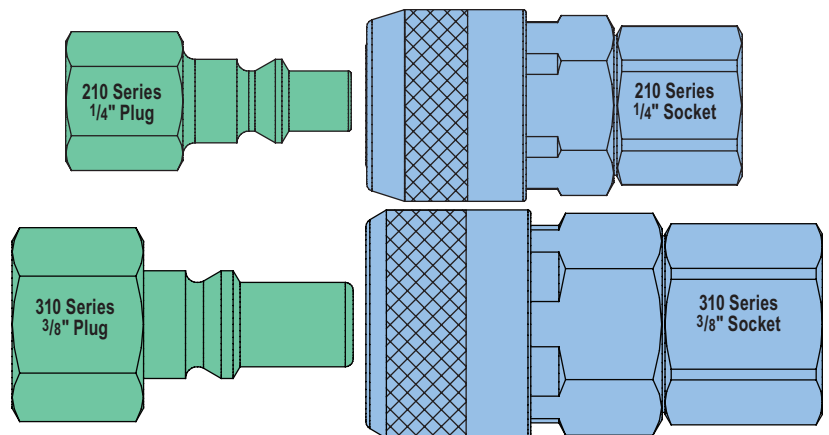
## O60 & A70 Series



## TF Series



## 210 & 310 Series





## Specifications & Layouts – ISO A Series

Performance Data			
Body Size	Max. Working Pressure PSIG	Min. Burst Pressure PSIG	Oil Flow SAE 10W/125°F/GPM
1/4"	5000	20,300	3
3/8"	4500	18,270	6
1/2"	4000	14,500	12
3/4"	4000	14,500	28
1"	4000	13,340	50

**Type:** ISO A, Two-Way Shutoff, Both socket and plug are sealed at disconnect.

**Interchangeability:** Conforms with ISO 7241-1, Series A

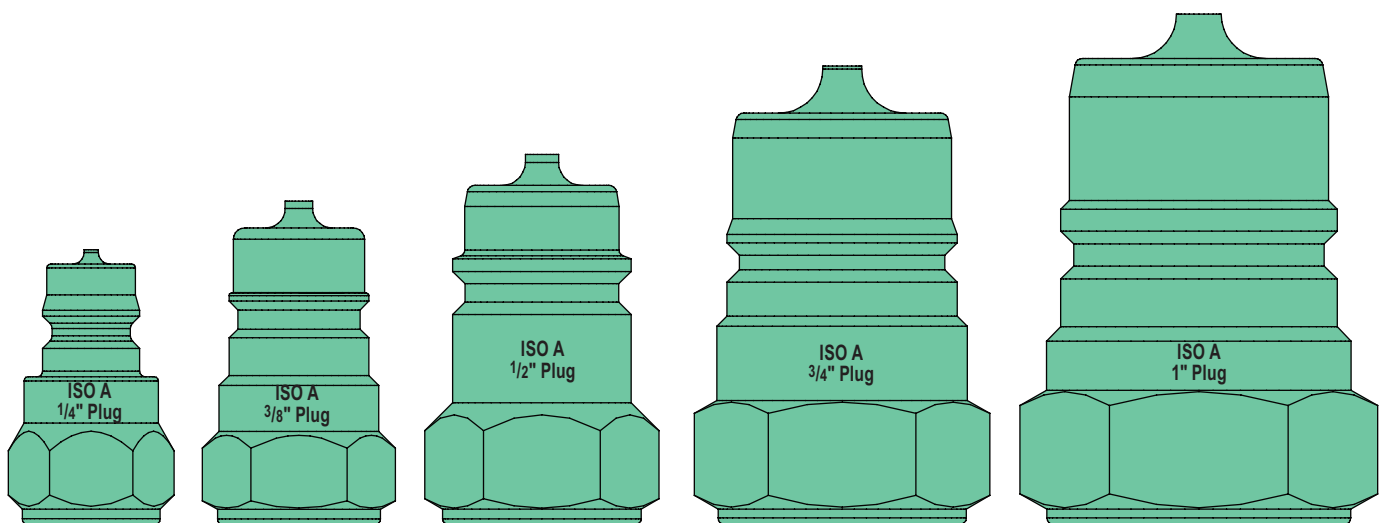
**Operation:** Manual- Socket sleeve must be manually retracted to connect and disconnect.

**Seal Compound:** Buna-N

**Temperature Range:** -40° to +225° F

**Materials of Construction:**

- Socket Body, Sleeve: Steel
- Plug Body: Induction Hardened Steel
- Valves: Hardened Steel
- Seals: Buna-N
- Back Up Ring: Teflon





## Specifications & Layouts— FHK Series

Performance Data								
Body Size	Working Pressure			Air Flow – CFM				Oil Flow-GPM MIL-H5606-125°F Pressure Drop
				100 PSIG		80 PSIG		
				Pressure Drop				
	Steel PSIG	Brass PSIG	Stainless PSIG	10 PSIG	5 PSIG	10 PSIG	5 PSIG	10 PSIG
1/8"	4000	3000	3500	22	17	20	15	1.8
1/4"	4000	2700	3700	32	22	29	20	3.6
3/8"	3500	2200	3700	58	42	53	38	6.7
1/2"	2500	2200	4200	130	88	118	80	11.0
3/4"	1600	1500	1600	305	207	277	188	26.3
1"	2000	1500	2000	372	252	338	229	31.8

**Vacuum Service:** 27" Hg. maximum

Rated pressures as defined by ANSI/B93.2-1986, based on 4:1 safety factor and non-shock service.

**Type:** FHK, Two-Way Shutoff, Both socket and plug are sealed at disconnect.

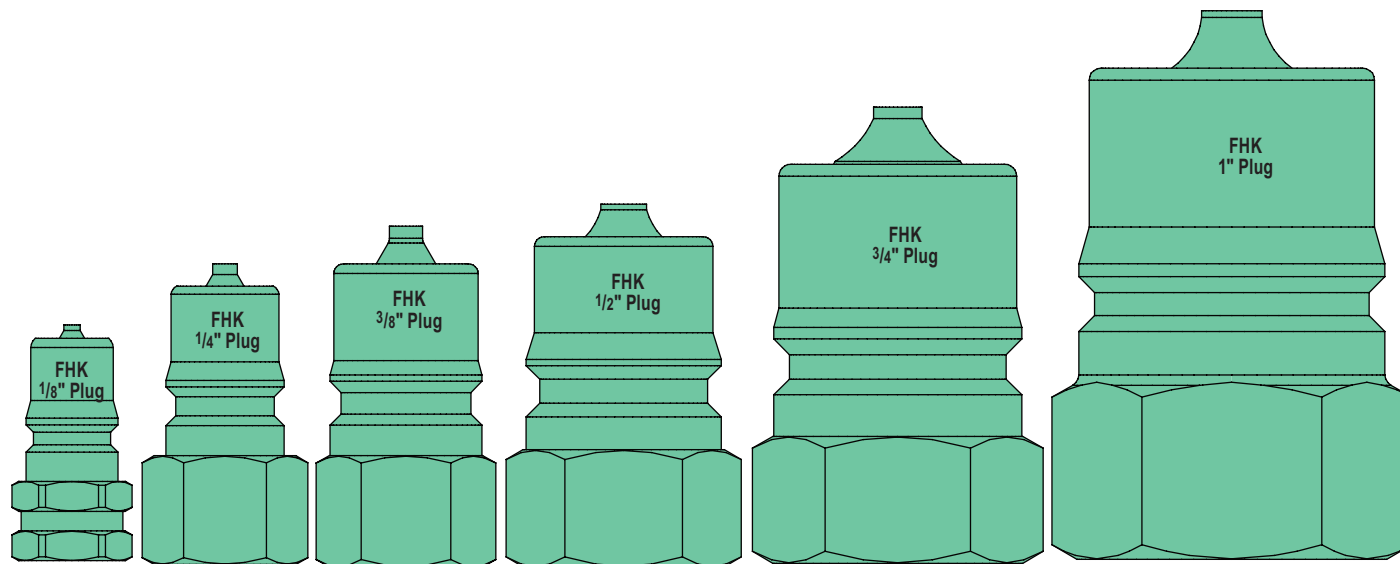
**Interchangeability:** Standard, most widely used, industrial interchange design. Within each series, only sockets and plugs of the same size will couple together. Conforms with ISO 7241-1, Series B.

**Operation:** Manual- Socket sleeve must be manually retracted to connect and disconnect.

**Seal Compound:** Standard seals are Buna-N.

**Options:**

- One Way Shut-Off: Add suffix VA to either socket or plug catalog number for valve actuator.
- Straight-Thru: Add suffix LV to both socket and plug catalog number for less valve.
- BL: Locks against accidental disconnect. To connect, align ball with slot. After connection, rotate sleeve to lock. To disconnect, realign ball with slot and retract sleeve. To order, add prefix BL to socket catalog number.





# Specifications and Layouts

## FH & FIH Series

**Type:**

- FH – Two Way Shut-Off and Straight-Thru
- FIH – One Way Shut-Off

**Interchangeability:**

- FH Series interchanges with Snap-Tite “H” Series.
- FIH Series interchanges with Snap-Tite “IH” Series.
- Within each series, only sockets and plugs of the same size will couple together.

**Operation:** Manual – Socket sleeve must be manually retracted to connect and disconnect.

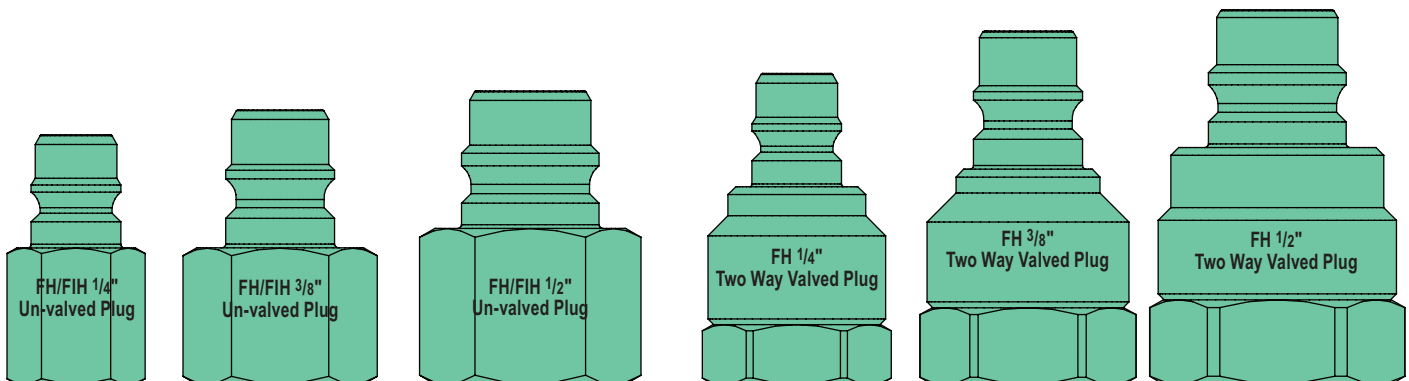
**Options:** BL – Locks against accidental disconnect. To connect align ball with slot. After connection, rotate sleeve to lock. To disconnect, realign ball with slot and retract sleeve. To order, prefix BL to socket catalog numbers.

**Seal Compound:** Standard seals are Buna-N.

**Working Pressure:** Rated Pressure as defined by ANSI/B93.2 – 1986, based on a 4:1 safety factor and non-shock service.

Body Size	FH Series, Two Way		FH, Straight Thru		FIH Series, One Way
	Steel PSIG	Brass PSIG	Steel PSIG	Brass PSIG	Steel PSIG
1/4"	3250	2000	3000	3000	3000
3/8"	2250	1200	4000	3500	2250
1/2"	1800	1200	4000	2500	2000

**NOTE: All Layouts are Actual Size**







# Specifications and Layouts

## FF Series, Flush Face Hydraulic Couplers

**Type:** FF, Two Way Shut-Off, Both socket and plug are sealed at disconnect.

**Interchangeability:** Meets HTMA (Hydraulic Tool Manufacturers' Association) requirements. Also Conforms with ISO 16028

**Operation:**

- Automatic- Push-to-connect for one hand operation
- Direction of Flow- Indicated by arrow stamped on body of coupler

**Features:** Sleeve Lock- Align the notched sleeve with the ball to connect and disconnect. Prevents unintended operation.

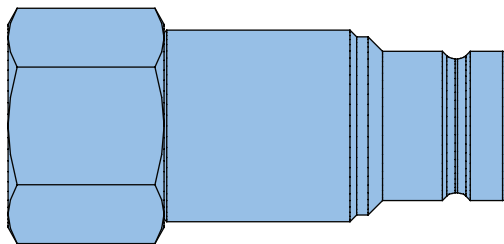
**Seal Compound:** Viton and PTFE

**Temperature Range:** -40° to +400° F

**Materials of Construction:**

- Socket Body, Sleeve: Steel
- Plug Body: Steel
- Valve Components: Steel and 303 S/S

Performance Data					
Body Size	Max. Working Pressure PSIG	Min. Burst Pressure, PSIG			Rated Flow GPM
		Coupled	Plug	Socket	
3/8"	4,350	17,500	17,500	8,800	10



**NOTE: Layouts are Actual Size**



# Specifications and Layouts FST Series

**Type:** FST Straight-Thru, No valve in either socket or plug.

**Interchangeability:** Standard industrial interchange design, most widely used in industry. Within each series, only sockets and plugs of the same size will couple together.

**Operation:** Manual – Socket sleeve must be manually retracted to connect and disconnect.

**Options:** BL – Locks socket against accidental disconnect. To connect, align ball with slot. After connection, rotate sleeve to lock. To disconnect, realign ball with slot and retract sleeve. To order, prefix BL to socket catalog number.

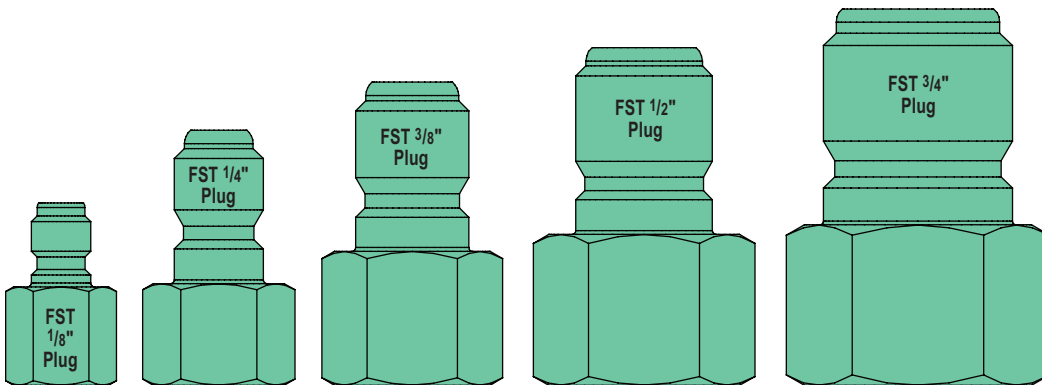
**Seal Compound:** Standard seals are Buna-N

**Performance Data Flow:** Couplers have same inside diameter as nominal pipe.

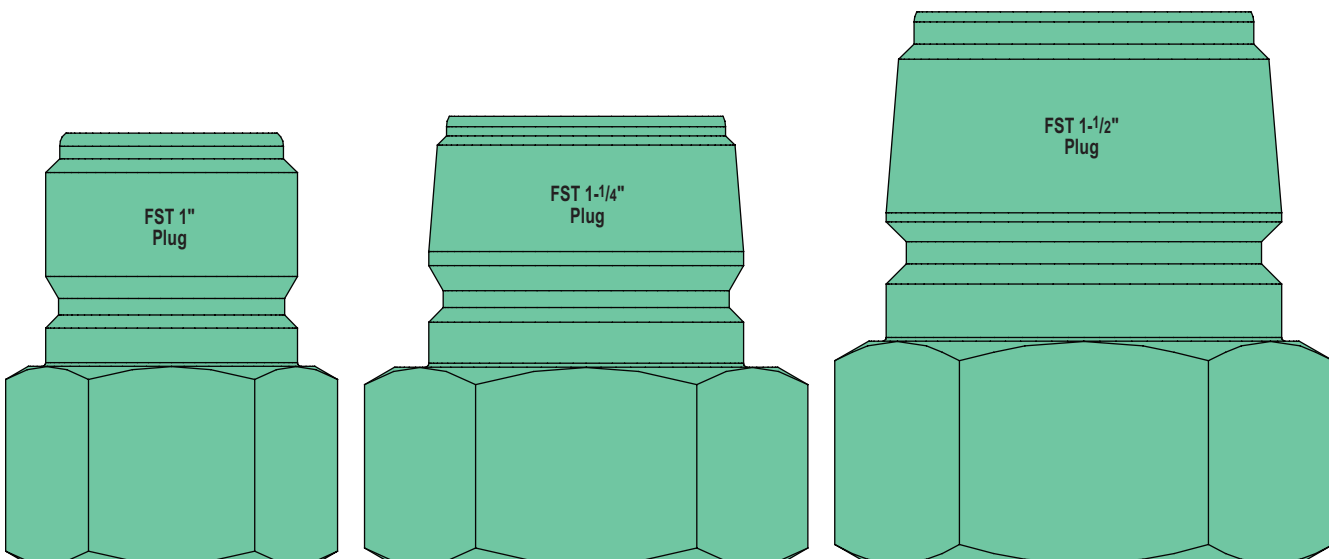
**Working Pressure:** Rated pressures as defined by ANSI/B93.2-1986, based on 4:1 safety factor and non-shock service.

Body Size	Brass Socket w/ Brass Plug	Brass Socket w/ Steel Plug	S/S Socket w/ S/S Plug
	PSIG	PSIG	PSIG
1/8"	2500	2600	4200
1/4"	5200	5500	5000
3/8"	2700	3500	5500
1/2"	2200	2700	3000
3/4"	1700	2700	3000
1"	1200	2000	1700
1 1/4"	1700	2700	-
1 1/2"	1400	2200	-

**Vacuum Service:** 27" Hg maximum



**NOTE: All Layouts are Actual Size**



## Specifications & Layouts FJT Series

Foster FJT Series couplers are designed to connect coolant lines to plastic molds and die casting dies. FJT Series plugs are mounted in the mold. They can be threaded directly into the mold coolant ports or recessed into the mold for a flush surface during storage. Sockets have hose stems, either standard hose or "Push-on" type, for direct connection to the coolant line going to the manifold. Seal compound is silicone for use with water, ethylene glycol, or air.

**Type:** Straight-Thru, One Way or Two Way

**Interchangeability:** DME Jiffy-Tite and Jiffy-Matic and Parker Moldmate couplers

**Operation:** Manual -Socket sleeve must be manually retracted to connect and disconnect

**Options:** BL – Locks manual socket against accidental disconnect. To connect, align ball with slot. After connection, rotate sleeve to lock. To disconnect, realign ball with slot and retract sleeve. **To order, prefix BL to socket catalog number**

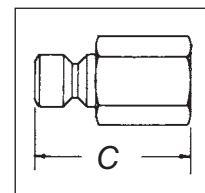
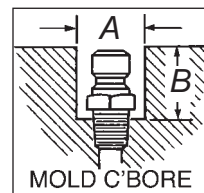
**Features:**

- Precision leakproof seal, lathe cut from silicone tubing
- Two piece construction on straight stem sockets
- Double knurl on socket sleeve for easier grip
- Sockets have six balls

**Temperature:** -65° to 425° F.

**Working Pressure:** 200 PSIG

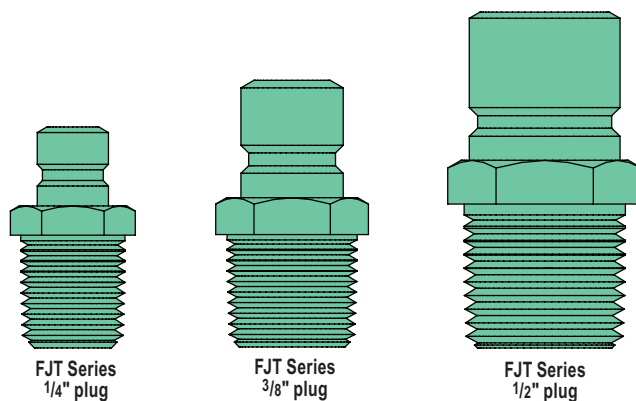
**NOTE: All Layouts are Actual Size**



Cat. No.	NPT	A	B	C
FP251 (F)	1/8	.687	.687	1.000
FP252 (F)	1/4	.843	.937	1.278
FP253 (F)	3/8	1.00	.937	1.373
FP352 (F)	1/4	1.00	1.092	1.450
FP353 (F)	3/8	1.00	1.125	1.574
FP354	1/2	1.187	1.250	-
FP554 (F)	1/2	1.250	1.500	1.750
FP556 (F)	3/4	1.500	1.562	1.750

(F) – Suffix F for female pipe thread

PERFORMANCE DATA		FLOW
		Water – GPM
		10 PSIG Pressure Drop
FJT200	Straight-Thru	4.5
FJT200 V	One Way (valved)	2.3
FJT300	Straight-Thru	10.0
FJT300HF	High Flow	13.8
FJT300 V	One Way (valved)	5.9
FJT500	Straight-Thru	28.2



### FJT Series Brass Extension Plugs



- One piece construction for fast assembly, positive removal
- Installation problems associated with pipe nipple extensions on standard plugs are eliminated
- One-piece brass construction eliminates a potential leak point and ensures removability
- A variety of pipe sizes and lengths are available per the enclosed table

FJT Brass Extension Plugs		
Cat. Part No.	Series	Pipe Size
FP251X	1/4"	1/8" MPT
FP252X	1/4"	1/4" MPT
FP253X	1/4"	3/8" MPT
FP352X	3/8"	1/4" MPT
FP353X	3/8"	3/8" MPT
FP354X	3/8"	1/2" MPT
FP554X	1/2"	1/2" MPT

Lengths available: 2.5" thru 13" Standard, Call factory for available lengths

To Order: Suffix the catalog part number with the desired length; i.e. FP251x2.5.



# Fluid Compatibility Guide

The following body material and seal compound chart is presented as a guide only and is not intended to provide a specific recommendation as to the suitability of any Foster product for a specific application. Various other environmental and operating conditions must be considered. These items include, but are not limited to, operating temperatures, ambient conditions and any prevailing standards or regulations.

Body Material Data		Seal Compound Data		
Body Material		Seal Material	Part No. Suffix	Coupler Color Code
Brass	B	Nitrile (Buna-N)	Std.	None
Steel	S	Viton (product of DuPont)	-101	Blue
303 S/S	S/S	Neoprene	-102	Red
		Ethylene Propylene	-103	Black
		Silicone	-104	White

Media	Body Material	Seal Compound	Media	Body Material	Seal Compound	Media	Body Material	Seal Compound
Acetic Acid (5%)	S/S	-101	Hydraulic Oil (Petroleum Base)	B, S, S/S	Std.	Plating Solutions (other)	S/S	-101
Acetone	B, S/S	-103	Hydraulic Oil (Water Base)	S, S/S	-103	Potassium Acetate	S	-103
Acetophenone	S/S	-103	Hydrazine	S/S	-103	Potassium Dichromate	S	Std.
Acetylene	B, S/S	Std.	Hydrogen Gas	B, S, S/S	Std.	Potassium Nitrate	S, S/S	Std.
Air (up to 200° F)	B, S/S	Std.	Isobutyl Alcohol	S/S	-101	Potassium Sulfate	S/S	Std.
Air (up to 400° F)	B, S/S	-101, -104	Isopropyl Alcohol	B, S, S/S	-101	Propane	B, S/S	Std.
Ammonia (Anhydrous)	S/S	-102	Isopropyl Ether	B, S, S/S	Std.	Propyl Alcohol	B, S, S/S	Std.
Ammonia (Cold, Gas)	S/S	-103	Isocyanate	S	-101	Propylene	B, S, S/S	-101
Ammonium Nitrate	S/S	Std.	Kerosene	B, S/S	Std.	Pydraul 10E	S, S/S	-103
Amyl Chloride	S/S	-101	Linseed Oil	S, S/S	Std.	Pydraul A-200, C Series	S, S/S	-101
Arsenic Acid	S/S	Std.	Lubricating Oil (SAE 10,20,30,40,50)	B, S, S/S	Std.	Pydraul, 3 Series	S, S/S	-101
Asphalt	S/S	-101	Mercury	S/S	Std.	Sea Water (Salt Water)	S/S	Std.
Brine (Sodium Chloride)	S/S	Std.	Methane	B, S/S	Std.	Silicone Greases	B, S, S/S	Std.
Butane	S/S	Std.	Methanol	B, S/S	Std.	Skydrol 500, Type 2	S, S/S	-103
Butanol (Butyl Alcohol)	S/S	Std.	Methyl Bromide	S, S/S	-101	Skydrol 7000, Type 2	S, S/S	-103
Calcium Acetate	B, S	-103	Methyl Chloride (Wet)	B	-101	Soap Solutions	S/S	Std.
Carbon Dioxide	B, S/S	Std.	Methyl Ethyl Ketone (MEK)	B, S, S/S	-103	Sodium Acetate	B, S, S/S	-103
Carbon Tetrachloride	B	-101	Mineral Oils	B, S, S/S	Std.	Sodium Carbonate (Soda Ash)	S, S/S	Std.
Castor Oil	B, S, S/S	Std.	Naphtha	S	-101	Sodium Cyanide	S, S/S	Std.
China Wood Oil (Tung Oil)	S/S	Std.	Naphthalene	S	-101	Sodium Metaphosphate	S	Std.
Chloroform	S/S	-101	Naphthenic Acid	S	-101	Sodium Nitrate	S/S	-103
Corn Oil	B, S, S/S	Std.	Nickel, Acetate	S/S	-103	Sodium Perborate	S/S	-101
Creosote	S/S	Std.	Nickel Sulfate	S/S	Std.	Sodium Peroxide	S	-101
Crude Oil	S/S	-101	Nitrogen	B, S, S/S	Std.	Sodium Phosphates	B, S/S	Std.
Cutting Oil	S, S/S	Std.	Nitrous Oxide	S/S	Std.	Sodium Sulfate	S/S	Std.
Detergent, Water Solution	S/S	Std.	Octyl Alcohol	B, S, S/S	-101	Soybean Oil	S, S/S	Std.
Diesel Fuel	B, S/S	Std.	Oxalic Acid	S/S	-101	Steam (below 400° F)	B, S/S	-103
Diethylene Glycol	S, S/S	Std.	Oxygen (200-400° F.)	B, S/S	-101	Sucrose Solutions	B, S, S/S	Std.
Dimethyl Formamide	S/S	-103	Oxygen, (below 200° F.)	B, S/S	Std.	Tannic Acid (10%)	B	Std.
Ethanol	B	-103	Ozone	S/S	-101	Tertiary Butyl Alcohol	B, S, S/S	-101
Freon 11	B	-101	Palmitic Acid	B, S/S	Std.	Tetraethyl Lead	B, S, S/S	-101
Freon 12	B, S, S/S	-102	Para-Dichlorobenzene	S	-101	Tetraethyl Lead (blend)	B, S, S/S	-101
Freon 22	B, S/S	-102	Peanut Oil	S, S/S	Std.	Titanium Tetrachloride	S	-101
Freon R134a	B, S, S/S	-102	Petrolatum	B, S, S/S	Std.	Toluene	B, S, S/S	-101
Fuel Oil	S/S	Std.	Petroleum Oil, (below 200° F)	B, S, S/S	Std.	Transmission Fluid, Type A	B, S, S/S	Std.
Gas, Liquid, Propane (LPG)	B, S/S	Std.	Phenol	B, S, S/S	-101	Turbine Oil #15	S/S	-101
Gas, Natural	B, S/S	Std.	Phosphorous Trichloride	S/S	-101	Turpetine	S/S	Std.
Gasoline (unleaded)	B, S/S	-101	Plating Solutions (Chrome)	B, S/S	-101	Varnish	B, S, S/S	-101
Glucose	B, S, S/S	Std.				Water (below 100° F)	B, S/S	Std.
Glycerine (Glycerol)	S, S/S	Std.				Water (above 100° F)	B, S/S	-103
Glycols	S, S/S	Std.				Xylene	B, S/S	-101
Helium	B, S, S/S	Std.						
Heptane	B, S, S/S	Std.						

**To Order:** Suffix seal compound part number to coupling part number.  
 Example: H4S-103, 1/2" NPT, FHK Series, steel socket with ethylene propylene seals.

**Note:** Please consult with your Foster representative or the factory for any media not listed.



## THINK SAFETY FIRST

Pressurized lines employing quick-disconnect couplers should be considered potentially hazardous and must be used with safety in mind. Proper selection and use of Foster products will help you maintain a safe working environment for your personnel, your equipment, and your products.

### - COUPLERS -

Foster's quick-disconnect couplers are precision devices—do not modify, strike, or otherwise abuse the coupling halves. Never exceed their pressure or temperature limits and always protect the hose and coupler assembly from moving equipment.

Be cautious when moving pressurized hoses as some types of quick-disconnect couplers may unintentionally disconnect if the coupler encounters an obstacle as the hose is dragged. The pressurized media subsequently escaping from the freed line can force the hose assembly to violently whip about, possibly causing personal injury, equipment/product damage, and economic loss. Foster couplers and plugs designed to minimize hose-whip hazards should be used whenever the risk is present, and personnel must be instructed to maintain a firm grip on both coupler halves when connecting or disconnecting pressurized lines.

Above all, always wear appropriate personal-protection equipment and safety glasses when working with, or near, pressurized lines utilizing quick-disconnect couplers.

**Described below are several products offered by Foster Manufacturing Company that are designed to minimize the possibility of inadvertent disconnection and dangerous hose-whip:**

#### **Sleeve Guard Sockets:**

Sleeve guard sockets (models SG3 and TF3) employ a rigid flange at the nose of the socket that protects the sleeve from accidental retraction if the coupler encounters an obstacle while the hose is being dragged or moved.

#### **Sleeve Locking Options:**

BL and SL options employ a ball or pin to restrict sleeve retraction and are available on all Foster manual and automatic couplers having retractable sleeves. Couplers with the BL or SL designation are constructed with sleeves having a slot that must be aligned with a ball or pin before the sleeve is allowed to retract. Rotating the sleeve 180 degrees so the slot is not aligned with the ball or pin will minimize the chance of accidental sleeve retraction.

#### **Twist-lock Sockets:**

Our twist-lock couplers (RL series and SHD series) offer another option for minimizing the chance of hose-whip. These models are very resistant to accidental disconnection because the sleeves must be rotated, rather than retracted, to release the plug. In addition, the RL and SHD couplers are push-to-connect automatic models designed for easy operation when using gloved hands.

#### **Safety Vent Sockets:**

Foster SV series safety-vent sockets are "zero pressure" connect/disconnect type couplers designed to safely vent downstream pressure prior to disengaging the plug. Besides being nearly effortless to connect and great for hose use, SV sockets are especially useful for single-hand operation when they are mounted to hard lines such as an overhead air drop. Once inserted into the SV socket, the plug is lightly gripped and will stay in place allowing the operator to use the same hand to actuate the sleeve to the "on" position. As the sleeve is being moved to the "on" position, the SV socket will securely lock the plug in place before flow begins. Foster SV sockets can also be used as a 3-way valve to turn off the flow of air and exhaust the downstream pressure without disengaging the plug. By turning and sliding the sleeve to the "exhaust" position, downstream air pressure is relieved but the plug remains locked in place. Turning and sliding the sleeve in the opposite direction allows air to flow again. Foster SV series sockets are the ultimate solution to accidental-disconnect hose-whip dangers.

### - PLUGS -

#### **Ball Check Plugs**

Ball check plugs are offered in several sizes of Industrial Interchange and RL plugs. Ball-check plugs have a free-floating internal ball that acts as a check valve when the plug is disconnected from the coupler. The check-valve action minimizes hose-whip by causing the pressurized gas to escape slowly from the disconnected hose.

### - AIR BLOWGUNS -

Foster manufactures several types of air blowgun products designed for cleaning, blow-off, inflation, and other operations. The blowguns are available with zinc or nylon bodies and we offer a variety of optional tips for nearly any use. Foster blowguns are available in OSHA\* compliant and non-compliant\*\* models to suit your particular needs.

\*Blowguns that comply with OSHA regulations will limit the pressure of air exiting the gun to less than 30 psig when the tip is dead-headed. All Foster blowguns using "standard" and "safety" tips are OSHA compliant and are available with either removable threaded tips or tamper resistant crimped tips.

\*\*Note: If a non-compliant blowgun/tip assembly is being used, air pressure to the gun's inlet must be regulated to less than 30 PSI to meet OSHA regulations.

### - PRODUCT SELECTION AND TRAINING -

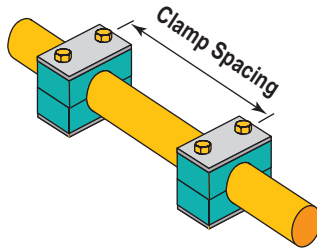
We strongly recommend that the end user obtain proper training before using quick-disconnect couplers, air blowguns, and other Foster products. Thoughtful analysis of the user's needs and application must be given before selecting a product.

Our dedicated employees and distributors are eager to explain the features, benefits, and proper selection of Foster products, and answer your questions regarding their correct application and safe use.



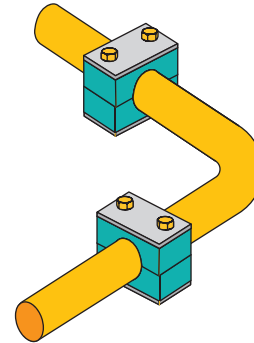
# Technical Data - Beta Clamps

## Recommended Pipe Clamp Spacing



Pipe O.D.		Spacing	
in	mm	ft - in.	m
0.24" - 0.5"	6 - 12.7	3' - 3"	1.0
0.5" - 0.87"	12.7 - 22	3' - 11"	1.2
0.87" - 1.26"	22 - 32	4' - 11"	1.5
1.26" - 1.5"	32 - 38	6' - 7"	2.0
1.5" - 2.24"	38 - 57	8' - 10"	2.7
2.24" - 2.95"	57 - 75	9' - 10"	3.0
2.95" - 3"	75 - 76.1	11' - 6"	3.5
3" - 3.5"	76.1 - 88.9	12' - 2"	3.7
3.5" - 4"	88.9 - 102	13' - 1"	4.0
4" - 4.5"	102 - 114	14' - 9"	4.5
4.5" - 6.6"	114 - 168	16' - 5"	5.0
6.6" - 8.6"	168 - 219	19' - 8"	6.0
8.6" - 12.8"	219 - 324	21' - 12"	6.7
12.8" - 14"	324 - 356	22' - 12"	7.0
14" - 16"	356 - 406	24' - 7"	7.5
16" - 16.5"	406 - 419	26' - 11"	8.2
16.5" - 20"	419 - 508	27' - 11"	8.5
20" - 20.5"	508 - 521	29' - 6"	9.0
20.5" - 22"	521 - 558	32' - 10"	10.0
22" - 31.5"	558 - 800	41' - 0"	12.5

## Recommended Clamping for Bends



Bends in the line should be clamped on BOTH sides of the bend as shown.

## Beta Clamp Material Properties

Material Properties		Polypropylene (PP)
Density	-	0.906 g/cm <sup>3</sup>
Tensile strength	DIN 53454	25-35 N/mm <sup>2</sup>
Flexure stress limit	DIN 53452	36N N/mm <sup>2</sup>
Compressive strength	DIN 53454	90 N/mm <sup>2</sup>
Impact strength	DIN 53453	No break
Thermo Properties		Polypropylene (PP)
Max. temp. resistance		-30 to 90°C
Thermal conductivity		15 x 10 <sup>-5</sup> /°C
Linear expansion coeff.		0.22 W/[mk]
Electrical Properties		Polypropylene (PP)
Specific volume	DIN 53482	1016 ohm x cm
Chemical Properties		Polypropylene (PP)
Consistent for weak acids, solvents, mineral oils and seawater.		

## Tightening Torque

Clamp	Group	Bolt Size	Aluminum Cushion		Polypropylene Cushion		Polyamide Cushion	
			Lbf	Nm	Lbf	Nm	Lbf	Nm
Beta Standard	S1 - S7	1/4"-20	7	10	6	8	6	8
Beta Heavy	H3, H4	3/8"-16	22	30	9	12	15	20
	H5	3/8"-16	26	35	11	15	18	25
	H6	1/2"-13	41	55	29	30	30	40
	H7	5/8"-11	89	120	33	45	41	55
Beta Twin	T1	1/4"-20	-	-	4	6	4	6
	T2 - T5	5/16"-18	-	-	9	12	9	12

The outlined particulars are approximate values and are only valid as references, which are not binding, also with regard to possible protection of third parties, and they do not exempt you from your own examination of suitability of the products delivered by us. Therefore, these values can only be used in a limited sense for construction purposes. The application of the products is carried out outside our control possibilities and, therefore, is exclusively subject to your own area of responsibility. If, however, liability should be possible, it would be limited for all damages to the value of the goods supplied by us and in use by you. It goes without saying, that we guarantee the perfect quality of our products according to our general sales and delivery conditions.

# Beta Clamp Installation

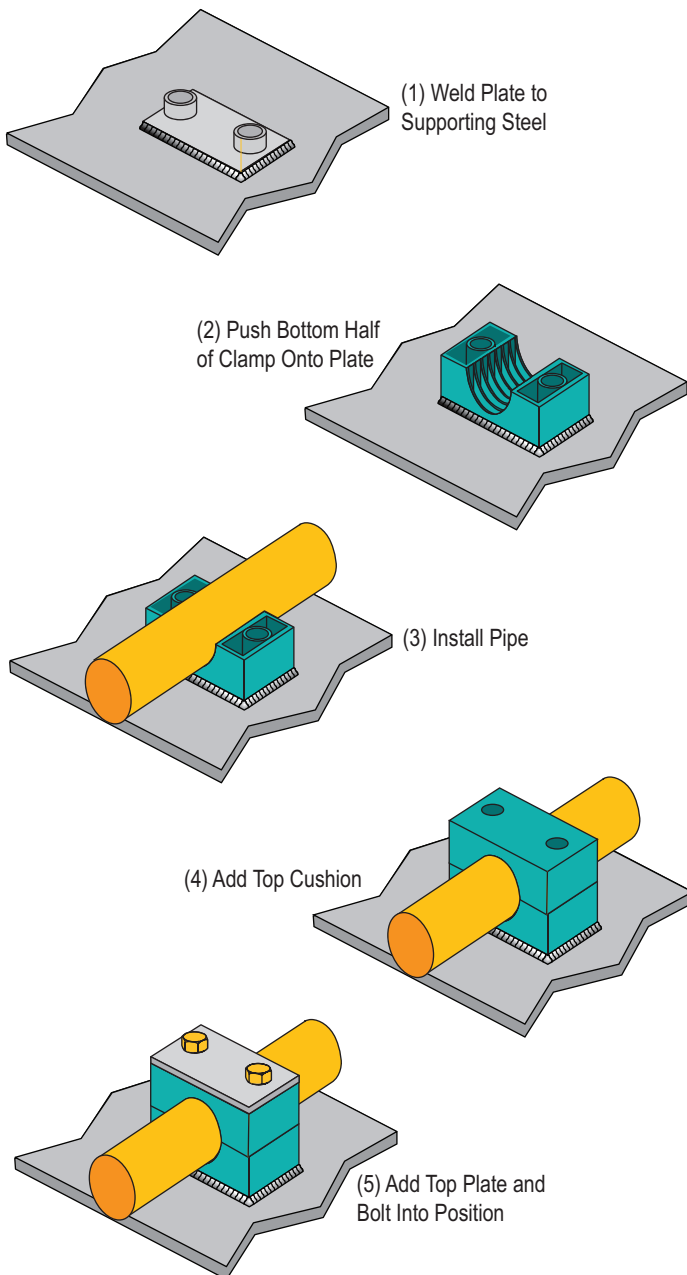


## INSTALLATION ON WELD PLATES

Foster weld plates are available for the following Series:

- Standard-Series
- Heavy-Series
- Twin-Series
- Beta Adapters

For best alignment of Foster clamps we recommend that you mark their location before welding.



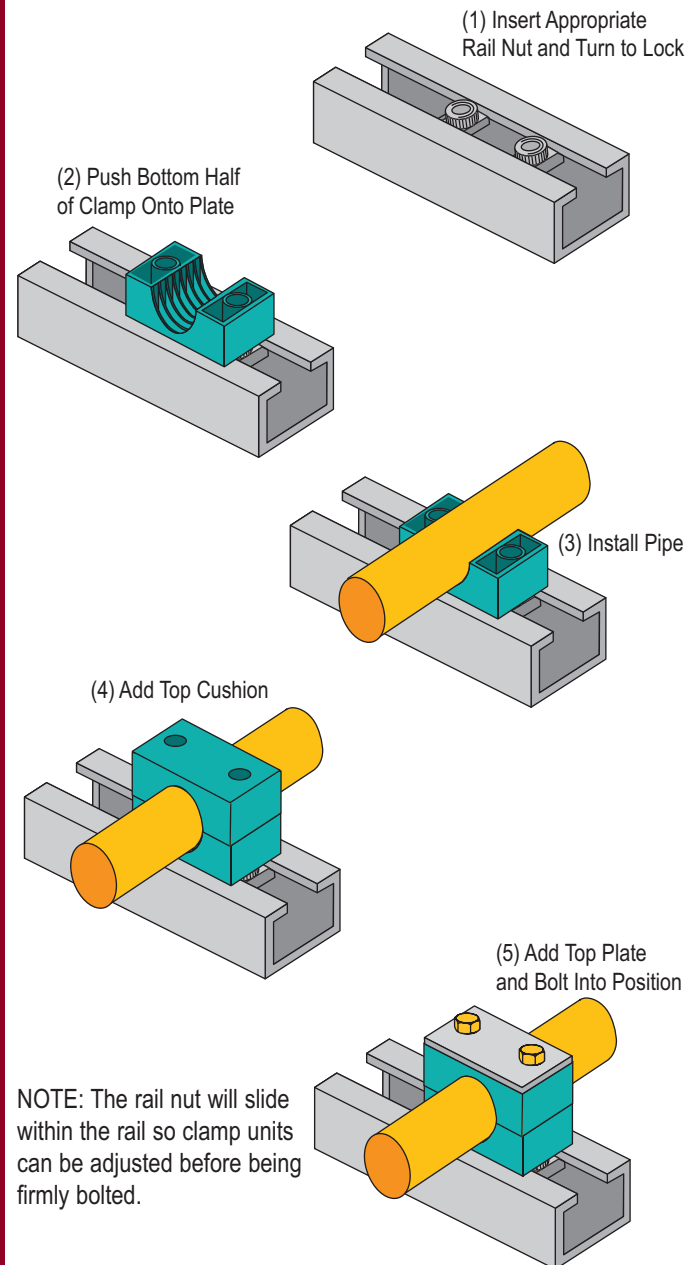
## INSTALLATION ON MOUNTING RAILS

Foster mounting rails can be used with the following Series:

- Standard-Series
- Heavy-Series (Group H3 to H6)
- Twin-Series
- Beta Adapters

Foster mounting rails are available in two different height sizes and are either welded or bolted to the supporting construction.

For Standard-Series and Twin-Series insert hexagon rail nut and turn to lock. For Heavy-Series slide in rail nut.



NOTE: The rail nut will slide within the rail so clamp units can be adjusted before being firmly bolted.

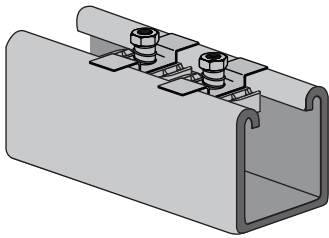


# Beta Clamp Installation

## INSTALLATION ON Z-STRUT CHANNEL

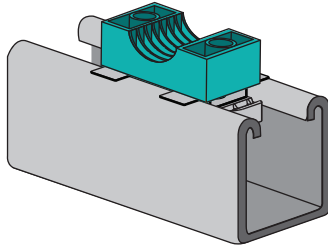
The Z-Strut Nuts can be used with any clamp using a 1/4-20 mounting bolt. This includes:

- Standard-Series
- Twin-Series (T1 Only)
- Beta Rubber Inserts

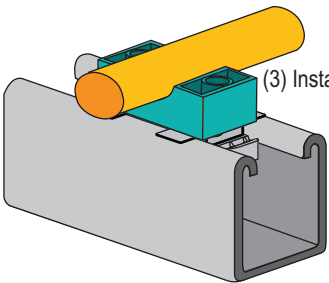


(1) Insert Z-Strut Nuts Into Z-Strut Channel And Turn to Lock

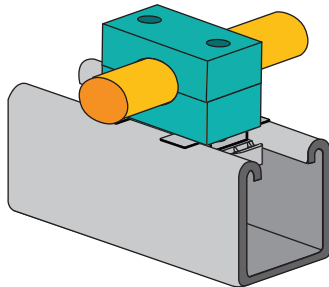
(2) Push Bottom Half of Clamp Onto Z-Strut Nuts



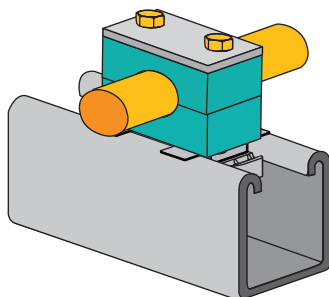
(3) Install Pipe



(4) Add Top Cushion



(5) Add Top Plate and Bolt Into Position



NOTE: The Z-Strut Nut will slide within the Z-Strut Channel so clamp units can be adjusted before being firmly bolted.

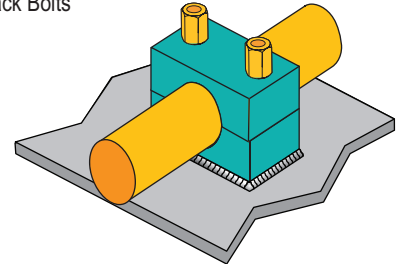
## MULTI-LEVEL ASSEMBLY

Foster multi-level pipe clamps permit easy stacking of several tubes or pipes of the same group. The clamps are connected by stacking bolts.

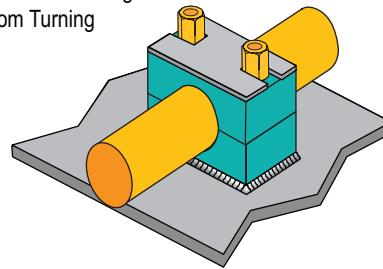
Safety plates are inserted between the clamps to prevent the stacking bolts from turning.

The example below shows a stacking clamp added to a welded clamp, however, Foster stacking assemblies can be fitted to weld plates, rails, or strut in the same manner.

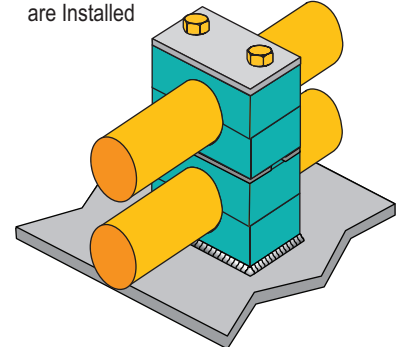
(1) After the Top Cushion is Added, Secure it with the Stack Bolts



(2) Add Safety Plate to Prevent Stacking Bolts from Turning



(2) Assemble Another Clamp Onto the Stacking Bolt in Same Manner as Single Clamps are Installed



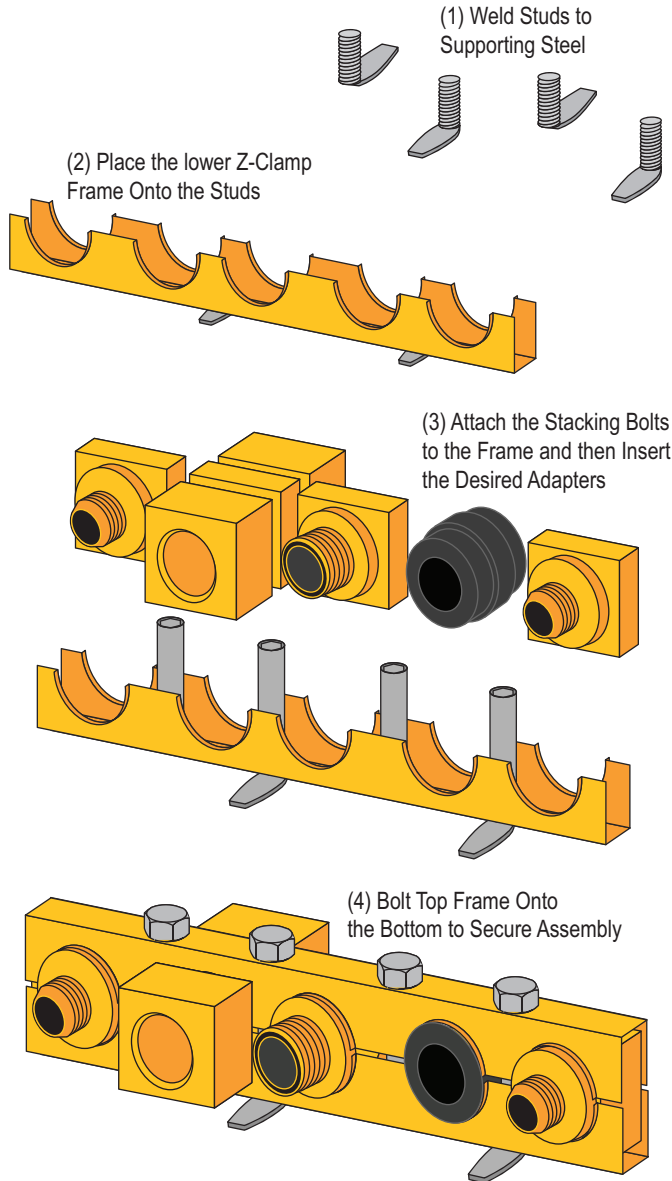


# Z-Clamp & Beta Installation



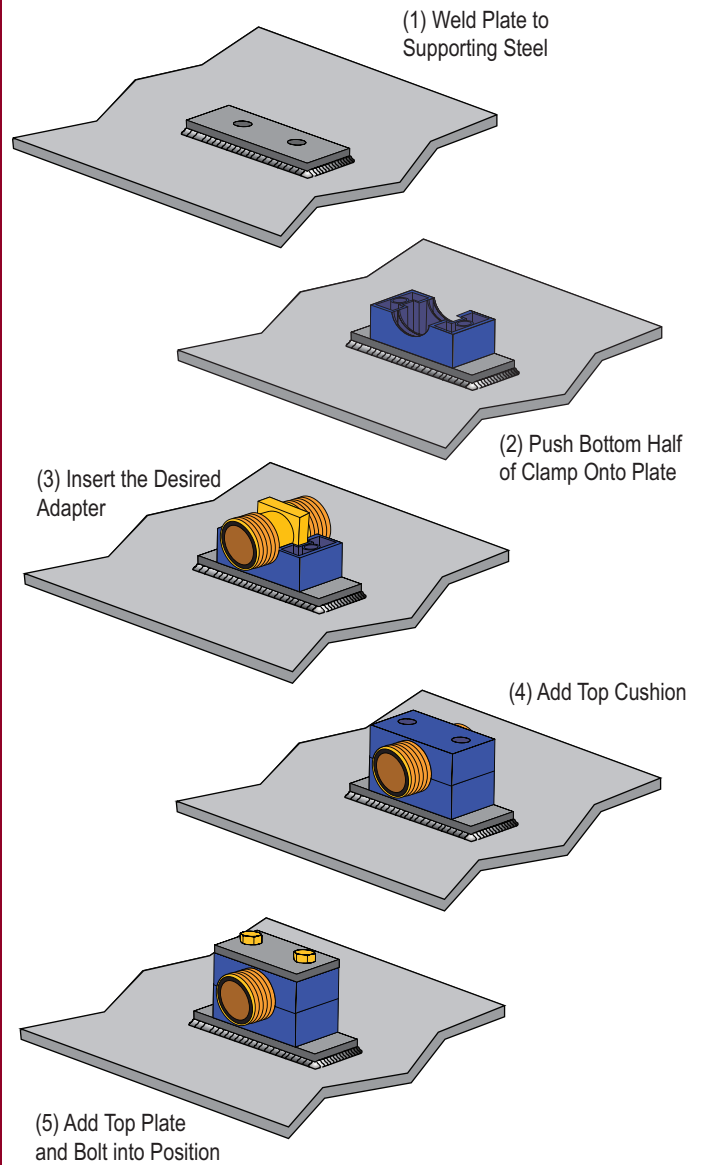
## INSTALLATION OF Z-CLAMPS

Z-Clamps are installed in much the same manner as Beta Clamps. The weld studs are welded onto existing structure and the clamp assembled onto them.



## INSTALLATION OF BETA ADAPTER

Beta Adapters are installed in much the same manner as Beta Clamps. The weld plate is welded onto existing structure and the Beta cushion and adapter is assembled onto it.



## Z-CLAMP & BETA ADAPTER OPTIONAL ADAPTERS



**FEMALE JUNCTION ADAPTER**



**O-RING FACE SEAL**



**37° FLARE MALE JUNCTION ADAPTER**



**RUBBER SPLIT BUSHINGS**



Drill Sizes for NPT Pipe Taps		
Tap Size (In.)	Threads/Inch	Drill Dia. (In.)
1/8	27	R
1/4	18	7/16
3/8	18	37/64
1/2	14	23/32
3/4	14	59/64
1	11 1/2	15/32
1 1/4	11 1/2	11/2
1 1/2	11 1/2	147/64
2	11 1/2	27/32
2 1/2	8	25/8
3	8	31/4
3 1/2	8	33/4
4	8	41/4

Tap & Drill Sizes (Unified National Coarse)		
Tap Size (In.)	Threads/Inch	Drill Size (In.)
1/4	20	7
5/16	18	F
3/8	16	5/16
7/16	14	U
1/2	13	27/64
9/16	12	31/64
5/8	11	17/32
3/4	10	21/32
7/8	9	49/64
1	8	7/8
1 1/8	7	63/64
1 1/4	7	17/64
1 3/8	6	17/32
1 1/2	6	11 1/32
1 3/4	5	19/16
2	4 1/2	125/32

Standard Weight Pipe Data					
Nom. Diameter (In.)			Nom. Wt./Ft. (Lbs.)	Length Containing One Cu. Ft.	Gallons / Linear Ft. (Gallons)
Pipe	Inside	Outside			
1/8	0.269	0.405	0.245	2,526.000	0.0030
1/4	0.364	0.540	0.425	1,383.800	0.0054
3/8	0.493	0.675	0.568	754.360	0.0099
1/2	0.622	0.840	0.851	473.910	0.0158
3/4	0.824	1.050	1.131	270.030	0.0277
1	1.049	1.315	1.679	166.620	0.0449
1 1/4	1.380	1.660	2.273	96.275	0.0777
1 1/2	1.610	1.900	2.718	70.733	0.1058
2	2.067	2.375	3.653	49.913	0.1743
2 1/2	2.469	2.875	5.793	30.077	0.2487
3	3.068	3.500	7.580	19.479	0.3840
3 1/2	3.548	4.000	9.110	14.565	0.5136
4	4.026	4.500	10.790	11.312	0.6613
5	5.047	5.563	14.620	7.198	1.0393
6	6.065	6.625	18.970	4.984	1.5008
8	7.981	8.625	28.550	2.878	2.5988
10	10.020	10.750	40.480	1.826	4.0963

Copper Tube Data - Type L					
Size (In.)	O.D. (In.)	O.D. (In.)	Wall Thick. (In.)	Weight per Foot (lbs)	Weight of Water / Ft. (lbs)
1/4	3/8	0.375	0.030	0.126	0.034
3/8	1/2	0.500	0.035	0.198	0.062
1/2	5/8	0.625	0.040	0.285	0.100
5/8	3/4	0.750	0.042	0.362	0.151
3/4	7/8	0.875	0.045	0.455	0.209
1	1 1/8	1.125	0.050	0.655	0.357
1 1/4	1 3/8	1.375	0.055	0.884	0.546
1 1/2	1 5/8	1.625	0.060	1.140	0.767
2	2 1/8	2.125	0.070	1.750	1.341
2 1/2	2 5/8	2.625	0.080	2.480	2.064
3	3 1/8	3.125	0.090	3.330	2.949
3 1/2	3 5/8	3.625	0.100	4.290	3.989
4	4 1/8	4.125	0.110	5.380	5.188
5	5 1/8	5.125	0.125	7.610	8.081
6	6 1/8	6.125	0.140	10.200	11.616
8	8 1/8	8.125	0.200	19.290	20.289
10	10 1/8	10.125	0.250	30.100	31.590
12	12 1/8	12.125	0.280	40.400	45.426

Copper Tube Data - Type K					
Size (In.)	O.D. (In.)	O.D. (In.)	Wall Thick. (In.)	Weight per Foot (lbs)	Weight of Water / Ft. (lbs)
1/4	3/8	0.375	0.035	0.145	0.032
3/8	1/2	0.500	0.049	0.269	0.055
1/2	5/8	0.625	0.049	0.344	0.094
5/8	3/4	0.750	0.049	0.418	0.144
3/4	7/8	0.875	0.065	0.641	0.188
1	1 1/8	1.125	0.065	0.839	0.337
1 1/4	1 3/8	1.375	0.065	1.040	0.527
1 1/2	1 5/8	1.625	0.072	1.360	0.743
2	2 1/8	2.125	0.083	2.060	1.310
2 1/2	2 5/8	2.625	0.095	2.920	2.000
3	3 1/8	3.125	0.109	4.000	2.960
3 1/2	3 5/8	3.625	0.120	5.120	3.900
4	4 1/8	4.125	0.134	6.510	5.060
5	5 1/8	5.125	0.160	9.670	8.000
6	6 1/8	6.125	0.192	13.870	11.200
8	8 1/8	8.125	0.271	25.900	19.500
10	10 1/8	10.125	0.338	40.300	30.423
12	12 1/8	12.125	0.405	57.800	43.675

Steel Pipe Data — Schedule No 40 & 80					
Nominal Size (In.)	O.D. (In.)	Schedule No.	Wall Thick. (In.)	Weight per Foot (lbs)	Weight of Water per Foot (lbs)
3/8	0.675	40	0.091	0.567	0.083
		80	0.126	0.738	0.061
1/2	0.840	40	0.109	0.850	0.132
		80	0.147	1.087	0.101
3/4	1.050	40	0.113	1.130	0.230
		80	0.154	1.473	0.186
1	1.315	40	0.133	1.678	0.374
		80	0.179	2.171	0.311
1 1/4	1.660	40	0.140	2.272	0.647
		80	0.191	2.996	0.555
1 1/2	1.900	40	0.145	2.717	0.882
		80	0.200	3.631	0.765
2	2.375	40	0.154	3.652	1.452
		80	0.218	5.022	1.279
2 1/2	2.875	40	0.203	5.790	2.072
		80	0.276	7.660	1.834
3	3.500	40	0.216	7.570	3.200
		80	0.300	10.250	2.860
3 1/2	4.000	40	0.226	9.110	4.280
		80	0.318	12.510	3.850
4	4.500	40	0.237	10.790	5.510
		80	0.337	14.980	4.980
5	5.563	40	0.258	14.620	8.660
		80	0.375	20.780	7.870
6	6.625	40	0.280	18.970	12.510
		80	0.432	28.570	11.290
8	8.625	40	0.322	28.550	21.600
		80	0.500	43.390	19.800
10	10.750	40	0.365	40.480	34.100
		80	0.593	64.400	31.100
12	12.75	40	0.406	53.600	48.500
		80	0.687	88.600	44.000
14	14.000	40	0.437	63.000	58.500
		80	0.750	107.000	51.200
16	16.000	40	0.500	83.000	76.500
		80	0.843	137.000	69.700
18	18.000	40	0.563	105.000	97.200
		80	0.937	171.000	88.500
20	20.000	40	0.593	123.000	120.400
		80	1.031	209.000	109.400



PVC and CPVC Pipes - Schedule 80 (inches)					
Nominal Pipe Size	Outside Diameter	Minimum Wall Thickness	Nominal Inside Diameter	Weight (lb/100 ft)	
				PVC	CPVC
1/2	0.840	0.109	0.622	16	17
3/4	1.050	0.113	0.824	21	23
1	1.315	0.133	1.049	32	34
1 1/4	1.660	0.140	1.380	43	46
1 1/2	1.900	0.145	1.610	51	55
2	2.375	0.154	2.067	68	74
2 1/2	2.875	0.203	2.469	107	118
3	3.500	0.216	3.068	141	154
4	4.500	0.237	4.026	201	220
5	5.563	0.258	5.047	273	-
6	6.625	0.280	6.065	353	386
8	8.625	0.322	7.981	539	581
10	10.750	0.365	10.020	755	824
12	12.750	0.406	11.938	1001	1089
14	14.000	0.438	13.124	1180	-
16	16.000	0.500	15.000	1543	-

PVC and CPVC Pipes - Schedule 80 (inches)					
Nominal Pipe Size	Outside Diameter	Minimum Wall Thickness	Nominal Inside Diameter	Weight (lb/100 ft)	
				PVC	CPVC
1/2	0.840	0.147	0.546	20	22
3/4	1.050	0.154	0.742	27	30
1	1.315	0.179	0.957	41	44
1 1/4	1.660	0.191	1.278	52	61
1 1/2	1.900	0.200	1.500	67	74
2	2.375	0.218	1.939	95	102
2 1/2	2.875	0.276	2.323	145	156
3	3.500	0.300	2.900	194	209
4	4.500	0.337	3.826	275	305
5	5.563	0.375	4.813	387	-
6	6.625	0.432	5.761	542	582
8	8.625	0.500	7.625	805	883
10	10.750	0.593	9.564	1200	1309
12	12.750	0.687	11376	1650	180
14	14.000	0.750	12.500	1930	-
16	16.000	0.843	14.314	2544	-

PVC - Wall Schedule 40 - Support Spacing (feet)			
NPS (inches)	Operating Temperature (°F)		
	60	100	140
1/2	4 1/2	4	2 1/2
3/4	5	4	2 1/2
1	5 1/2	4 1/2	2 1/2
1 1/4	5 1/2	5	3
1 1/2	6	5	3
2	6	5	3
3	7	6	3 1/2
4	7 1/2	6 1/2	4
6	8 1/2	7 1/2	4 1/2
8	9	8	4 1/2

PVC - Wall Schedule 80 - Support Spacing (feet)			
NPS (inches)	Operating Temperature (°F)		
	60	100	140
1/2	5	4 1/2	2 1/2
3/4	5 1/2	4 1/2	2 1/2
1	6	5	3
1 1/4	6 1/2	5 1/2	3 1/2
1 1/2	7	6	3 1/2
2	8	7	4
3	9	7 1/2	4 1/2
4	10	9	5
6	11	9 1/2	5 1/2
8	9	8	4 1/2

Hydraulic Hose - No Skive SAE 100R1 Type AT				
SAE Number	Hose I.D.		Hose O.D.	
	(In.)	(mm)	(In.)	(mm)
SAE-3	3/16	5.0	0.46	12
SAE-4	1/4	6.3	0.53	13
SAE-5	5/16	8.0	0.59	15
SAE-6	3/8	10.0	0.68	17
SAE-8	1/2	12.5	0.81	21
SAE-10	5/8	16.0	0.94	24
SAE-12	3/4	19.0	1.09	28
SAE-16	1	25.0	1.41	36
SAE-20	1-1/4	31.5	1.79	45
SAE-24	1-1/2	38.0	2.00	51
SAE-32	2	51.0	2.54	64

Hydraulic Hose - No Skive SAE 100R2 Type AT - ISO 1436 Type 2AT - EN 853 Type 2SN				
SAE Number	Hose I.D.		Hose O.D.	
	(In.)	(mm)	(In.)	(mm)
SAE-4	1/4	6.3	0.53	13
SAE-5	5/16	8.0	0.59	15
SAE-6	3/8	10.0	0.68	17
SAE-8	1/2	12.5	0.81	21
SAE-10	5/8	16.0	0.94	24
SAE-12	3/4	19.0	1.09	28
SAE-16	1	25.0	1.41	36
SAE-20	1-1/4	31.5	1.79	45
SAE-24	1-1/2	38.0	2.00	51
SAE-32	2	51.0	2.54	64

Hydraulic Hose - SAE 100R16 Type AT				
SAE Number	Hose I.D.		Hose O.D.	
	(In.)	(mm)	(In.)	(mm)
SAE-4	1/4	6.3	0.53	13
SAE-5	5/16	8.0	0.59	15
SAE-6	3/8	10.0	0.68	17
SAE-8	1/2	12.5	0.81	21
SAE-10	5/8	16.0	0.94	24
SAE-12	3/4	19.0	1.09	28
SAE-16	1	25.0	1.41	36

Hydraulic Hose - No Skive SAE 100R17 Abrasion Resistant "Tough Cover" and "Super Tough" Cover				
SAE Number	Hose I.D.		Hose O.D.	
	(In.)	(mm)	(In.)	(mm)
SAE-4	1/4	6.3	0.53	13
SAE-6	3/8	10.0	0.68	17
SAE-8	1/2	12.5	0.81	21
SAE-10	5/8	16.0	0.94	24
SAE-12	3/4	19.0	1.09	28
SAE-16	1	25.0	1.41	36
SAE-20	1-1/4	31.5	1.79	45



Nom. Pipe Size	Outside Dia. (IN)	Nominal Wall Thickness For Schedule Pipe																
		Sch 5S	Sch 10	Sch 10S	Sch 20	Sch 30	Sch Std.	Sch 40	Sch 40S	Sch 60	Sch 80	Sch 80S	Sch 100	Sch 120	Sch. 140	Sch. 160	X Strong	XX Strong
1/8	0.405	-	0.049	0.049	-	-	0.068	0.068	0.068	-	0.095	0.095	-	-	-	-	0.095	-
1/4	0.540	-	0.065	0.065	-	-	0.088	0.088	0.088	-	0.119	0.119	-	-	-	-	0.119	-
3/8	0.675	-	0.065	0.065	-	-	0.091	0.091	0.091	-	0.126	0.126	-	-	-	-	0.126	-
1/2	0.840	0.065	0.083	0.083	-	-	0.109	0.109	0.109	-	0.147	0.147	-	-	-	0.187	0.147	0.294
3/4	1.050	0.065	0.083	0.083	-	-	0.113	0.113	0.113	-	0.154	0.154	-	-	-	0.219	0.154	0.308
1	1.315	0.065	0.109	0.109	-	-	0.133	0.133	0.133	-	0.179	0.179	-	-	-	0.250	0.179	0.358
1 1/4	1.660	0.065	0.109	0.109	-	-	0.140	0.140	0.140	-	0.191	0.191	-	-	-	0.250	0.191	0.382
1 1/2	1.900	0.065	0.109	0.109	-	-	0.145	0.145	0.145	-	0.200	0.200	-	-	-	0.281	0.200	0.400
2	2.375	0.065	0.109	0.109	-	-	0.154	0.154	0.154	-	0.218	0.218	-	-	-	0.344	0.218	0.436
2 1/2	2.875	0.083	0.120	0.120	-	-	0.203	0.203	0.203	-	0.276	0.276	-	-	-	0.375	0.276	0.552
3	3.500	0.083	0.120	0.120	-	-	0.216	0.216	0.216	-	0.300	0.300	-	-	-	0.437	0.300	0.600
3 1/2	4.000	0.083	0.120	0.120	-	-	0.226	0.226	0.226	-	0.318	0.318	-	-	-	-	0.318	0.636
4	4.500	0.083	0.120	0.120	-	-	0.237	0.237	0.237	-	0.337	0.337	-	0.438	-	0.531	0.337	0.674
5	5.563	0.109	0.134	0.134	-	-	0.258	0.258	0.258	-	0.375	0.375	-	0.500	-	0.625	0.375	0.750
6	6.625	0.109	0.134	0.134	-	-	0.280	0.280	0.280	-	0.432	0.432	-	0.562	-	0.719	0.432	0.864
8	8.625	0.109	0.148	0.148	0.250	0.277	0.322	0.322	0.322	0.406	0.500	0.500	0.594	0.719	0.812	0.906	0.500	0.875
10	10.750	0.134	0.165	0.165	0.250	0.307	0.365	0.365	0.365	0.500	0.594	0.500	0.719	0.844	1.000	1.125	0.500	1.000
12	12.750	0.156	0.180	0.180	0.250	0.330	0.375	0.406	0.375	0.562	0.688	0.500	0.844	1.000	1.125	1.312	0.500	1.000
14	14.000	0.156	0.250	0.188	0.312	0.375	0.375	0.438	-	0.594	0.750	-	0.938	1.094	1.250	1.406	0.500	-
16	16.000	0.165	0.250	0.188	0.312	0.375	0.375	0.500	-	0.656	0.844	-	1.031	1.219	1.438	1.594	0.500	-
18	18.000	0.165	0.250	0.188	0.312	0.438	0.375	0.562	-	0.750	0.938	-	1.156	1.375	1.562	1.781	0.500	-
20	20.000	0.188	0.250	0.218	0.375	0.500	0.375	0.594	-	0.812	1.031	-	1.281	1.500	1.750	1.969	0.500	-

ASTM B 280 Copper Tube - ACR					
Standard Specification for Seamless Copper Tube for Air Conditioning and Refrigeration Field Service (inches)					
Nominal Size	Annealed (A) or Drawn Temper (D)	Outside Diameter	Inside Diameter	Wall Thickness	Cross Sectional Area of Bore (square inches)
1/8	A	0.125	0.065	0.030	0.0033
3/16	A	0.187	0.128	0.030	0.0129
1/4	A	0.250	0.190	0.030	0.0284
5/16	A	0.312	0.248	0.032	0.0483
3/8	A	0.375	0.311	0.032	0.076
	D	0.375	0.315	0.030	0.078
1/2	A	0.500	0.436	0.032	0.149
	D	0.500	0.430	0.035	0.145
5/8	A	0.625	0.555	0.035	0.242
	D	0.625	0.545	0.040	0.233
3/4	A	0.750	0.680	0.035	0.363
	A	0.750	0.666	0.042	0.348
	D	0.750	0.666	0.042	0.348
7/8	A	0.875	0.785	0.045	0.484
	D	0.875	0.785	0.045	0.484
1 1/8	A	1.125	1.025	0.050	0.825
	D	1.125	1.025	0.050	0.825
1 3/8	A	1.375	1.265	0.055	1.260
	D	1.375	1.265	0.055	1.260

# Fraction Conversion Table



Fractions	Decimal (in)	Metric (mm)
1/64	0.016	0.40
1/32	0.031	0.79
	0.039	1
3/64	0.047	1.19
1/16	0.063	1.59
5/64	0.078	1.98
	0.079	2
3/32	0.094	2.38
7/64	0.109	2.78
	0.118	3
1/8	0.125	3.18
9/64	0.141	3.57
5/32	0.156	3.97
	0.157	4
11/64	0.172	4.37
3/16	0.188	4.76
	0.197	5
13/64	0.203	5.16
7/32	0.219	5.56
15/64	0.234	5.95
	0.236	6
1/4	0.250	6.35
17/64	0.266	6.75
	0.276	7
9/32	0.281	7.14
19/64	0.297	7.54
5/16	0.313	7.94
	0.315	8
21/64	0.328	8.33
11/32	0.344	8.73
	0.354	9
23/64	0.359	9.13
3/8	0.375	9.53
25/64	0.391	9.92
	0.394	10
13/32	0.406	10.32
27/64	0.422	10.72
	0.433	11
7/16	0.438	11.11
29/64	0.453	11.51
15/32	0.469	11.91
	0.472	12
31/64	0.484	12.30
1/2	0.500	12.70
	0.512	13
33/64	0.516	13.10
17/32	0.531	13.49
35/64	0.547	13.89
	0.551	14
9/16	0.563	14.29
37/64	0.578	14.68
	0.591	15
19/32	0.594	15.08
39/64	0.609	15.48
5/8	0.625	15.88
	0.630	16
41/64	0.641	16.27
21/32	0.656	16.67
	0.669	17
43/64	0.672	17.07
11/16	0.688	17.46
45/64	0.703	17.86
	0.709	18
23/32	0.719	18.26
47/64	0.734	18.65

Fractions	Decimal (in)	Metric (mm)
	0.748	19
3/4	0.750	19.05
49/64	0.766	19.45
25/32	0.781	19.84
	0.787	20
51/64	0.797	20.24
13/16	0.813	20.64
53/64	0.828	21.03
27/32	0.844	21.43
55/64	0.859	21.83
7/8	0.875	22.23
57/64	0.891	22.62
29/32	0.906	23
59/64	0.922	23.42
15/16	0.938	23.81
61/64	0.953	24.21
31/32	0.969	24.61
63/64	0.984	25
1	1	25.40
1 1/32	1.031	26.19
1 1/16	1.063	26.99
1 3/32	1.094	27.78
1 1/8	1.125	28.58
1 5/32	1.156	29.37
	1.181	30
1 3/16	1.188	30.16
1 7/32	1.219	30.96
1 1/4	1.250	31.75
1 9/32	1.281	32.54
1 5/16	1.313	33.34
1 11/32	1.344	34.13
1 3/8	1.375	34.93
	1.378	35
1 13/32	1.406	35.72
1 7/16	1.438	36.51
1 15/32	1.469	37.31
1 1/2	1.500	38.10
1 17/32	1.531	38.89
1 9/16	1.563	39.69
	1.575	40
1 19/32	1.594	40.48
1 5/8	1.625	41.28
1 21/32	1.656	42.07
1 11/16	1.688	42.86
1 23/32	1.719	43.66
1 3/4	1.750	44.45
	1.772	45
1 25/32	1.781	45.24
1 13/16	1.813	46.04
1 27/32	1.844	46.83
1 7/8	1.875	47.63
1 29/32	1.906	48.42
1 15/16	1.938	49.21
	1.969	50
1 31/32	1.969	50.01
2	2	50.80
2 1/32	2.031	51.59
2 1/16	2.063	52.39
2 3/32	2.094	53.18
2 1/8	2.125	53.98
2 5/32	2.156	54.77
	2.165	55
2 3/16	2.188	55.56
2 7/32	2.219	56.36
2 1/4	2.250	57.15

Fractions	Decimal (in)	Metric (mm)
2 9/32	2.281	57.94
2 5/16	2.313	58.74
2 11/32	2.344	59.53
	2.362	60
2 3/8	2.375	60.33
2 13/32	2.406	61.12
2 7/16	2.438	61.91
2 15/32	2.469	62.71
2 1/2	2.500	63.50
2 17/32	2.531	64.29
	2.559	65
2 9/16	2.563	65.09
2 19/32	2.594	65.88
2 5/8	2.625	66.68
2 21/32	2.656	67.47
2 11/16	2.688	68.26
2 23/32	2.719	69.06
2 3/4	2.750	69.85
	2.756	70
2 25/32	2.781	70.64
2 13/16	2.813	71.44
2 27/32	2.844	72.23
2 7/8	2.875	73.03
2 29/32	2.906	73.82
2 15/16	2.938	74.61
	2.953	75
2 31/32	2.969	75.41
3	3	76.20
3 1/32	3.031	76.99
3 1/16	3.063	77.79
3 3/32	3.094	78.58
3 1/8	3.125	79.38
	3.150	80
3 5/32	3.156	80.17
3 9/16	3.188	80.96
3 7/32	3.219	81.76
3 1/4	3.250	82.55
3 9/32	3.281	83.34
3 5/16	3.313	84.14
3 11/32	3.344	84.93
	3.346	85
3 3/8	3.375	85.73
3 13/32	3.406	86.52
3 7/16	3.438	87.31
3 15/32	3.469	88.11
3 1/2	3.500	88.90
3 17/32	3.531	89.69
	3.543	90
3 9/16	3.563	90.49
3 19/32	3.594	91.28
3 5/8	3.625	92.08
3 21/32	3.656	92.87
3 11/16	3.688	93.66
3 23/32	3.719	94.46
	3.740	95
3 3/4	3.750	95.25
3 25/32	3.781	96.04
3 13/16	3.813	96.84
3 27/32	3.844	97.63
3 7/8	3.875	98.43
3 29/32	3.906	99.22
	3.937	100
3 15/16	3.938	100.01
3 31/32	3.969	100.81

Fractions	Decimal (in)	Metric (mm)
4	4	101.60
4 1/16	4.063	103.19
4 1/8	4.125	104.78
4 3/16	4.188	106.36
4 1/4	4.250	107.95
4 5/16	4.313	109.54
	4.331	110
4 3/8	4.375	111.13
4 7/16	4.438	112.71
4 1/2	4.500	114.30
4 9/16	4.563	115.89
4 5/8	4.625	117.48
4 11/16	4.688	119.06
	4.724	120
4 3/4	4.750	120.65
4 13/16	4.813	122.24
4 7/8	4.875	123.83
4 15/16	4.938	125.41
5	5	127.00
	5.118	130
5 1/4	5.250	133.35
5 1/2	5.500	139.70
	5.512	140
5 3/4	5.750	146.05
	5.906	150
6	6	152.40
6 1/4	6.250	158.75
	6.299	160
6 1/2	6.500	165.10
	6.693	170
6 3/4	6.750	171.45
7	7	177.80
	7.087	180
	7.480	190
7 1/2	7.500	190.50
	7.874	200
8	8	203.20
8 1/2	8.500	215.90
9	9	228.60
9 1/2	9.500	241.30
	9.843	250
10	10	254.00
11	11	279.40
	11.811	300
12	12	304.80
13	13	330.20
	13.780	350
14	14	355.60
15	15	381.00
	15.748	400
16	16	406.40
17	17	431.80
	17.717	450
18	18	457.20
19	19	482.60
	19.685	500
20	20	508.00

COUPLERS & ACCESSORIES

CLAMPING PRODUCTS

COUPLER SPEC'S & LAYOUTS

TECHNICAL DATA

INDEX



# Part Number Index [Foster]

Part No. ....	Page	Part No. ....	Page	Part No. ....	Page	Part No. ....	Page
1B3 to 1B9.....	24	8D9-S .....	24	53-5 .....	9,16	2702.....	6
1C5-S .....	24	10P13-S to 10P19-S.....	24	54S-5.....	9	2803.....	7
1C7-S .....	24	10S-3 .....	7	54-5 .....	16	2903.....	7
1D.....	24	10-3 .....	7	54-5 .....	9	3003.....	7
1M.....	25	10-3M .....	24	54-5B.....	9,16	3103 to 3703.....	7
1-2M .....	24	10-4M .....	24	54-5CA.....	9	4004.....	8
1-3M .....	24	11-3.....	7	54-5G.....	9	4015.....	9,16
2B3 to 2B9.....	24	12F .....	19	55-5 .....	9,16	4104 to 4904.....	8
2C5.....	24	12M.....	19	56-5 .....	9,16	4905.....	9,16
2C7 .....	24	12S-3.....	7	57-5 .....	9,16	5005 to 5905.....	9
2D.....	24	12-3 .....	7	59-5 .....	9,16	A0 .....	17
2L38 to 2L49.....	13	13-3 .....	7	60-5 .....	9,16	A12DC.....	17
2LPD7 to 2LPD 13.....	13	14S-3.....	7	60-5B.....	9,16	A12DP.....	17
2LPP13 to 2LPP19.....	13	14-3 .....	7	60-5G.....	9	A16DC.....	17
2M.....	25	15-3 .....	7	61-5 .....	9,16	A16DP.....	17
2P13 to 2P19.....	24	16-3 .....	7	64-6 to 72-6.....	10	A-10.....	14
2R1714.....	13	17-3 .....	7	71-3 .....	7	A-11 .....	14
2R1814.....	13	22-2.....	6	71-4 .....	8	A-12 .....	14
2R4004 to 2R4904 .....	13	22-2B.....	6	71-5 .....	9,16	A-1513.....	14
2RSD7 to 2RSD13 .....	13	23-2.....	6	75F .....	19	A-16.....	14
02-2 to 04-2 .....	6	24-2 .....	6	75HPB.....	19	A-17 .....	14
3L50 to 3L61.....	13	25F .....	19	75M.....	19	A-1713.....	14
3M.....	25	25HP.....	19	81-4 .....	8	A-2803 to A-3703.....	14
3PDC.....	7	25M.....	19	81-5 .....	9,16	A-SB.....	14
3R1815.....	13	25US.....	27	81-5B.....	9,16	A-SC5.....	14
3R4015 to 3R5905 .....	13	27-2 .....	6	100F .....	19	A-SC7.....	14
3RSD7 to 3RSD13 .....	13	38F .....	19	100M.....	19	A-SD.....	14
3SDC.....	7	38H.....	19	125F .....	19	AF15.....	17
3W125 to 3W500.....	26	38M.....	19	125M.....	19	AM15 .....	17
4B3 to 4B9.....	24	38US.....	27	150F .....	19	B1D to B8D.....	17
4D7 to 4D13 .....	24	38-4 .....	8	150M.....	19	BG2 .....	22
4M4M.....	25	40S-4 .....	8	165-3 .....	7	BG2L .....	22
4P.....	24	40-4 to 49-4 .....	8	210.....	15	BHS81 to BHS85.....	25
5AA-S .....	24	41-4 .....	8	310.....	15	BLA.....	14
5AO-S.....	24	42S-4 .....	8	1502.....	6	BLO .....	14
5B.....	24	43-4 .....	8	1513.....	7	EX2.....	22
5C.....	24	45-4 .....	8	1713.....	7	EX12.....	22
5D.....	24	50F .....	19	1714.....	8	EX10DH.....	22
5-2M .....	24	50HS.....	19	1814.....	8	EX2RT.....	22
6D.....	24	50M.....	19	1815.....	9,16	EX2ST .....	22
6M6M.....	25	50US.....	27	1900.....	27	BG-KIT-F1 .....	23
6P.....	24	50-5 .....	9,16	2022 to 2042.....	6	BG-KIT-F2.....	23
8D11-S.....	24	51-3 .....	7	2202.....	6	F33 to F42 .....	25
8D13-S.....	24	51-4 .....	8	2302.....	6	FFP.....	18
8D7-S .....	24	52-5 .....	9,16	2402.....	6	FFS.....	18

# Part Number Index [Foster]



Part No.	Page	Part No.	Page	Part No.	Page	Part No.	Page
FH	18	FWN	26	PD11-3	7	SP17-5	9,16
FHP	18	GGO1	23	PD11-4	8	SP19-5	9,16
FHS	18	H1 to H8	17	PD11-5	9	SV4-PC	8
FIS	18	H1B to H8B	17	PD13-3	7	SV5-PC	9
FM1513	7	H1DP to H8DP	17	PD13-4	8	SV3003 to SV3703	7
FM1713	7	H1S to H8S	17	PD13-5	9	SV4004 to SV4904	8
FM1714	8	HS	24	PF	25	SV5005 to SV5905	9
FM1814	8	K1 to K8	17	PG2P	22	SV6406 to SV6906	10
FM1815	9	LN	11	PG2T	22	TF	16
FM4004	8	LO	26	PHS	25	TFPB	16
FM4015	9	M1 to M22	25	PJ8	6	TFSB	16
FM2803 to FM3703	7	M13S	27	PM13S	27	TFSC	16
FM4104 to FM4904	8	M17S	27	PM17S	27	TFSD	16
FM4905 to FM5905	9	M7S	27	PM7S	27		
FM6206 to FM7006	10	O-10 to O-17	14	PM	25		
FMSB3-3	7	O-1513	14	PO25	25		
FMSB3-4	8	O-1713	14	PO38	25		
FMSB5-3	7	O-2803 to O-3703	14	PO50	25		
FMSB5-4	8	O-SB	14	PP13 to PP19	9		
FMSB7-3	7	O-SC	14	PRM	21		
FMSB7-4	8	O-SD	14	PSM	21		
FMSB9-3	7	PB3-2	6	SB3	7,8		
FMSB9-4	8	PB3-3	7	SB5	7,8		
FMSC5-3	7	PB3-4	8	SB7	7,8		
FMSC7-3	7	PB3-5	9	SB9	7,8		
FMSD7-3	7	PB5-2	6	SB55	25		
FMSD7-4	8	PB5-3	7	SB57	25		
FMSD7-5	9	PB5-4	8	SB58	25		
FMSD9-3	7	PB5-5	9	SC5	7		
FMSD9-4	8	PB7-2	6	SC7	7		
FMSD9-5	9	PB7-3	7	SD7	7,8,9,16		
FMSD11-3	7	PB7-4	8	SD9	7,8,9,16		
FMSD11-4	8	PB7-5	9	SD11	7,8,9,16		
FMSD11-5	9	PB9-2	6	SD13	7,8,9,16		
FMSD13-3	7	PB9-3	7	SG	7		
FMSD13-4	8	PB9-4	8	SGTF	16		
FMSD13-5	9	PB9-5	9	SHD-DP	12		
FMSP13-5	9	PC5-3	7	SHD	12		
FMSP15-5	9	PC7-3	7	SHDSB	12		
FMSP17-5	9	PD7-3	7	SHDSC	12		
FMSP19-5	9	PD7-4	8	SHDSD	12		
FP	19	PD7-5	9	SHDSP	12		
FPR	21	PD9-3	7	SJ8	6		
FR	21	PD9-4	8	SP13-5	9,16		
FS	20	PD9-5	9	SP15-5	9,16		

### Using this index

Just match the first few characters of the part number with the part number listed in the table.

For example, SG2803 matches SG so it is found on page 7.



# Part Number Index [ZSI]

Part No. ....	Page	Part No. ....	Page	Part No. ....	Page
004M007 to 106M114 .....	48	H4MJA1-4-S .....	39	HAC-1-2.....	41
004MS007 to 106MS114.....	48	H4MJA1-6-S .....	39	HAC-1-3.....	41
004NS008 to 106NS114 .....	47	H4MJA1-8-S .....	39	HAC-1-4.....	41
004T008 to 022T026.....	47	H4MJO1-10-S .....	39	HAC-1-5.....	41
006CC018 to 072CC080.....	51	H4MJO1-6-S .....	39	HAC-1-6.....	41
009N012 to 106N114 .....	47	H4MJO1-8-S .....	39	HAC-1-7.....	41
AC-2 to AC-18.....	67	H5014RI to H5020RI .....	38	HAC-2-2.....	41
AR-2 to AR-18.....	67	H5C .....	38	HAC-2-3.....	41
AS-2 to AS-18 .....	67	H5FJA2-12P-S .....	39	HAC-2-4.....	41
AV-2 to AV-18 .....	67	H5FJA2-12-S .....	39	HAC-2-5.....	41
CC12 to CC34.....	64	H5JCN-C .....	39	HAC-2-6.....	41
CG-10 to CG-40.....	63	H5MJA2-10-S .....	39	HAC-2-7.....	41
CL-06 to CL-18.....	65	H5MJA2-12-S .....	39	HAC-3-2.....	41
CS030 to CS110 .....	52	H5MJA2-14-S .....	39	HAC-3-3.....	41
DCP-3 to DCP-7.....	33	H5MJA2-16-S .....	39	HAC-3-4.....	41
EMT-1/2 to EMT-1 .....	65	H5MJA2-4-S .....	39	HAC-3-5.....	41
FJA-1-6-P.....	45	H5MJA2-6-S .....	39	HAC-3-6.....	41
FJA-2-12-P.....	45	H5MJA2-8-S .....	39	HAC-1-32.....	41
FJA-3-20-P.....	45	H5MJO2-10-S .....	39	HAC-2-1-2 .....	42
FJA-1-8 .....	45	H5MJO2-12-S .....	39	HAC-2-2-3 .....	42
FJA-2-12 .....	45	H5MJO2-16-S .....	39	HAC-2-24.....	41
FJA-3-20 .....	45	H5MJO2-6-S .....	39	HAC-2-3-4 .....	42
G-1 to G-3.....	45	H5MJO2-8-S .....	39	HAC-2-4-5 .....	42
H-3004 to H-7057.....	32	H6021RI to H6034RI .....	38	HAC-3-1-2 .....	42
H3011-C.....	33	H6C .....	38	HAC-3-16.....	41
H4007RI to H4012RI.....	38	H7038RI to H7050RI .....	38	HAC-3-2-3 .....	42
H4C.....	38	H7C .....	38	HAC-3-3-4 .....	42
H4FJA1-6P-S .....	39	H8036RI .....	38	HAC-3-4-5 .....	42
H4FJA1-8-S .....	39	H8C .....	38	HAC 1-1-2.....	42
H4JCN-C .....	39	HAC-1.....	39	HAC 1-2-3.....	42
H4MJA1-10-S .....	39	HAC-2.....	39	HAC 1-3-4.....	42

Cush-A-Clamp® and Handy-Air® are registered trademarks in the U.S. Patent and Trademark Office.

Cush-A-Strip™, Cush-A-Grip™, Omega Series™, Alpha Series™, Porce-A-Clamp™, Cush-A-Therm™, Cush-A-Strip™, and Controlled Squeeze are trademarks of ZSi or Foster.

ZSi or Foster products are manufactured under one or more of the following U.S. patents:

4,516,296 • 4,934,635 • 4,997,148 • D408727  
5,014,940 • 5,215,281 • 7,179,010 • D424922

We reserve the right to make specification changes without notice.

While every effort has been made to assure the accuracy of information contained in this catalog at the time of publication, we cannot accept responsibility for inaccuracies resulting from undetected errors or omissions.



# Part Number Index [ZSI]



Part No. ....	Page	Part No. ....	Page	Part No. ....	Page
HAC 1-4-5.....	42	N008C to N110C .....	52	TRN-2-5.....	35
HAC 1-5-6.....	42	NS008 to NS101.....	52	TSB-1 to TSB-5 .....	35
HB-1 to HB-3 .....	43	PY Series.....	59	TSP-1 to TSP-5 .....	35
HCP-3 to HCP-9 .....	33	QC12 to QC34.....	64	UB Series .....	50
HCR-1 to HCR-2.....	33	RPC Series.....	63	UX1212 to UX41815.....	53
HDP-3 to HDP-7 .....	33	S-1 to S-3 .....	43	W-1 to W-3 .....	43
HHB-3 to HHB-9 .....	33	S-1004 to S-7038 .....	30	Z1000-06 to Z1000-60.....	61
HM4006RI to HM8036RI .....	38	S1004-C .....	31	Z1625-06 to Z1625-60.....	61
HRN-3-5 to HRN-6 .....	33	S-2004H to S-5016H .....	36	Z1625SH-06 to Z1625SH-60.....	61
HSB-3 to HSB-9 .....	33	S4007RI to S4012RI.....	37	Z8125-06 to Z8125-60.....	62
HSN-04 to HSN-12.....	56	S4C.....	37	Z8125SH-06 to Z8125SH-60.....	62
HSP-3 to HSP-9 .....	33	S6014RI to S6020RI.....	37	Z875-06 to Z875-60.....	62
HVN-04 to HVN-12.....	56	S6C.....	37	Z875SH-06 to Z875SH-60.....	62
HW-1 to HW-3 .....	43	SB-1 to SB-6.....	31	ZSA1-8 .....	31
HWP-3 to HWP-9 .....	33	SC-1 to SC-6 .....	31		
LVZ-18 to LVZ-57 .....	58	SCP-1 to SCP-7 .....	31		
MJA-2-16.....	44	SCR-1 to SCR-2 .....	31, 35		
MJA-2-14.....	44	SD150 to SD650.....	54		
MJA-2-12.....	44	SHB-1 to SHB-7 .....	31		
MJA-2-10.....	44	SM-1006 to SM-5035 .....	30		
MJA-1-10.....	44	SM4006RI to SM6030RI.....	37		
MJA-2-8.....	44	SP-1 to SP-6.....	31		
MJA-1-8.....	44	SPD-8 to SPD-20 .....	56		
MJA-2-6.....	44	SPN-3 to SPN-48 .....	55		
MJA-1-6.....	44	SPW-04 to SPW-18 .....	55		
MJA-2-4.....	44	SRN-1-6.....	31, 35		
MJA-1-4.....	44	SSN-03 to SSN-18 .....	58		
MJO-3-24.....	44	SVN-03 to SVN-18 .....	57		
MJO-3-20.....	44	SVW-04 to SVW-22.....	57		
MJO-2-16.....	44	SWP-1 to SWP-7.....	31		
MJO-2-12.....	44	T-1 to T-3 .....	43		
MJO-2-10.....	44	T-1004 to T-5027 .....	34		
MJO-1-10.....	44	T-2004H to T5016H.....	36		
MJO-2-8.....	44	T2008-S.....	35		
MJO-1-8.....	44	TB-1 to TB-5.....	35		
MJO-2-6.....	44	TC-1 to TC-5.....	35		
MJO-1-6.....	44	TP-1 to TP-5.....	35		

COUPLERS & ACCESSORIES

CLAMPING PRODUCTS

COUPLER SPEC'S & LAYOUTS

TECHNICAL DATA

INDEX



# Key Word Index

Key Word.....	Page	Key Word.....	Page
210 & 310 SERIES [INTERCHANGE WITH ARO 210 & 310] .....	15	FJT SERIES [INTERCHANGE WITH DME JIFFY-TITE - JIFFY-MATIC	
2-TUBE CUSHIONED CABLE CLAMPS - 3/4" WIDE .....	56	PARKER MOLDMATE] .....	19, 20, 75
360 DEGREE UNIVERSAL SWIVEL .....	27	FLAME RETARDANT .....	47
37° FLARE MALE .....	81	FLARE MALE JUNCTION ADAPTER - 37° .....	44
37° JLC .....	39, 44	FLOW .....	5
ACETYLENE SERVICE .....	14	FLUSH FACE HYDRAULIC COUPLERS – FF SERIES.....	18
AIR GUN KIT.....	23	FRACTION CONVERSION TABLE .....	85
AIR SCREEN TIP.....	22	FREE SWIVEL UNDER PRESSURE .....	27
ALPHA SERIES™ .....	46, 50	FRL SERIES [INTERCHANGE WITH HANSEN 2RL & 3RL SERIES] .....	13, 69
ANCHOR BOLT.....	41	FST SERIES.....	19, 74
ANGLE STEM .....	20	FWN SERIES .....	26
ANTI-VIBRATION SPLIT RUBBER BUSHING.....	45	GAMMA ANTI-VIBRATION PADS.....	66, 67
ARO 210 & 310.....	15	GG01 .....	23
AUTOMATIC - ONE HAND OPERATION.....	68	GREASE GUN .....	23
AUTOMATIC COUPLER.....	5,7,9	HANDY-AIR®.....	22,28
BALL CHECK PLUGS .....	7,9,77	HARDWARE, Z-CLAMP .....	43
BETA ADAPTERS.....	39, 81	HEAVY RUBBER INSERT.....	38
BETA CLAMP INSTALLATION .....	80	HEAVY, BETA CLAMPS .....	32
BETA CLAMPS .....	28 THRU 39	HEX BOLT.....	31, 33, 35, 43
BG-KIT-F1 .....	23	HEX NIPPLES.....	25
BG-KIT-F2 .....	23	HEX NUT.....	43
BLOW GUNS .....	19,22	HSN LOOP CLAMPS.....	56
BRASS EXTENSION PLUGS.....	19,75	HTMA .....	18, 73
BUTTON OPERATED AIR GUN.....	22	HVN, LOOP CLAMPS.....	56
CAP SCREW.....	31	INDUSTRIAL INTERCHANGE .....	7-10, 68
COAXIAL COUPLER.....	9, 10	INSTALLATION.....	79
COAXIAL PLUG.....	9, 10	INSULATION SADDLE .....	54
COLOR CODED SOCKETS .....	14	INTERCHANGEABILITY .....	68
COMMON WELDED METHOD .....	28	INTERCHANGEABLE COUPLERS FOR NON-STD. DESIGNS .....	11
CONTROLLED SQUEEZE™ .....	48	INTERLOCK EDGE.....	48-49
COVER PLATE .....	31, 33, 35	ISO 16028 .....	18, 73
C-RAIL .....	31, 33, 35	ISO 7241-1, SERIES A .....	17, 70
C-RAIL NUT.....	31, 33, 35	ISO 7241-1, SERIES B .....	17, 71
CRUSH-RESISTANT .....	53	ISO A.....	70
CUSH-A-CLAMP®.....	46	ISO A SERIES - TWO WAY SHUT-OFF .....	17
CUSH-A-CLAW.....	65	JIFFY-MATIC.....	75, 19, 20
CUSH-A-CLICK .....	64	JIFFY-TITE .....	75, 19, 20
CUSH-A-CLIP.....	63	JUNCTION ADAPTERS.....	41
CUSH-A-GRIP™ .....	63	KIT, AIR GUN .....	23
CUSH-A-STRIP™ .....	47, 52	LEVER OPERATED AIR GUN.....	22
CUSH-A-THERM™ .....	47, 53	LINCOLN LONG NOSE .....	11
CUSHIONED CLAMPING.....	46 THRU 54	LIVING HINGE .....	48
DOUBLE COVER PLATE .....	33	LN SERIES [INTERCHANGE WITH LINCOLN LONG NOSE] .....	11
DOUBLE WELD PLATE.....	33	LOCK WASHER.....	43
DUAL SWIVEL .....	27	LOCKOUT .....	26
DUST CAPS.....	7, 17	LVZ, LOOP CLAMPS .....	58
DUST PLUG .....	12, 17	MEDIA .....	5
EXTENSION .....	22	MOLDMATE .....	75, 19, 20
EXTENSION PLUGS .....	19	MOUNTING RAILS .....	79
FEMALE JUNCTION ADAPTER .....	45	MULTI-LEVEL ASSEMBLY .....	80
FF SERIES.....	18,73	MULTIPLE LINE, Z-CLAMP .....	41
FH & FIH SERIES [INTERCHANGE WITH SNAP-TITE H & IH SERIES].....	18, 72	NON-MARRING SWIVEL .....	27
FKH SERIES – TWO WAY SHUT-OFF .....	17, 71	NON-STANDARD INTERCHANGE DESIGN.....	11
FIBER BRAID REINFORCED TUBE .....	25	NYLON INSERT.....	50



Key Word.....	Page	Key Word.....	Page
O60 & A70 SERIES [INTERCHANGE WITH HANSEN 600 & 700 SERIES]	14, 69	STANDARD TIP .....	22
OMEGA SERIES™ .....	46, 49	STRAIGHT-THRU – FST SERIES .....	19
ONE WAY SHUT-OFF – 2 SERIES (1/8") .....	6	STRAIGHT-THRU COUPLER.....	5
ONE WAY SHUT-OFF – 3 SERIES (1/4") .....	7	STRUT NUT .....	31
ONE WAY SHUT-OFF – 4 SERIES (3/8") .....	8	STRUT PRODUCTS .....	60 THRU 65
ONE WAY SHUT-OFF – 5 SERIES (1/2") .....	9	SVN LOOP CLAMPS .....	57
ONE WAY SHUT-OFF – 6 SERIES (3/4") .....	10	SVW LOOP CLAMPS .....	57
ONE WAY SHUT-OFF COUPLER.....	5	SWIVEL FITTINGS .....	27
OPTIONAL SEAL.....	68	SYNTHETIC RUBBER TUBE .....	25
O-RING FACE SEAL .....	39, 44, 81	TECHNICAL DATA.....	78 THRU 84
OUTSIDE HOLE, Z-CLAMP .....	42	TF SERIES [INTERCHANGE WITH PARKER TRU-FLATE SERIES 10].....	16, 69
OXYGEN SERVICE .....	14	THREAD ADAPTER .....	43
PANEL MOUNT .....	6	THREE WAY SLEEVE .....	26
PISTOL TYPE GREASE GUN.....	23	TWIN, BETA CLAMPS.....	34
PLATED STEEL, LOOP CLAMPS 1/2" WIDE.....	55	TWIST-LOCK.....	77
PNEUMATIC GREASE GUN .....	23	TWIST-LOCK SOCKETS.....	77
POLYURETHANE RECOIL HOSE .....	21	TWO WAY SHUT-OFF .....	17
PORCE-A-CLAMP™ .....	47, 51	TWO WAY SHUT-OFF COUPLER .....	5
PROTECTIVE COVER.....	8, 9	U-BOLT .....	46
PUSH ON HOSE FITTINGS .....	25	VACUUM SERVICE .....	74
PYTHON CLAMPS .....	59	VINYL DIPPED CLAMPS .....	56, 57, 58
QUICK DETACHABLE COUPLER .....	5	WELD NUT.....	43
QUICK-CLIP.....	64	WELD PLATE.....	31, 33, 35
QUICK-D.....	77	WELD PLATES .....	79
RECOIL HOSE.....	21	WING NUT COUPLERS .....	26
REUSABLE SWIVEL .....	24	Z1000 - 1 5/8" X 1" CHANNEL, 12 GA. ....	61
REUSABLE NON-SWIVEL.....	24	Z1625 - 1 5/8" X 1 5/8" CHANNEL, 12 GA. ....	61
RL.....	77	Z8125 - 1 5/8" X 1 3/16" CHANNEL, 14 GA.....	62
RUBBER BOLT BUSHINGS .....	81	Z875 - 1 5/8" X 7/8" CHANNEL, 12 GA.....	62
RUBBER INSERT, BETA HEAVY.....	38	Z-CLAMP .....	40, 81
RUBBER INSERT, BETA STANDARD .....	37	Z-CLAMP & BETA INSTALLATION .....	81
RUBBER TIP .....	22	Z-CLAMP ADAPTERS.....	44, 45
SADDLE-UP.....	47, 54	Z-STRUT .....	31, 60 TO 62
SAFETY COUPLER.....	5	Z-STRUT CLAMPS .....	60
SAFETY PLATE.....	31, 33, 35	Z-STRUT MOUNTED .....	28
SAFETY PLATES.....	80	Z-STRUT NUTS .....	80
SAFETY SOCKETS.....	7, 8, 9, 10	Z-STRUT™ CHANNEL .....	61, 62
SAFETY TIP.....	22		
SAFETY VENT SOCKETS: .....	77	See also -	
SG3 .....	77	Foster Part Number Index .....	86-87
SHD SERIES		ZSI Part Number Index.....	88-89
[INTERCHANGE WITH SCHRADER STANDARD & HEAVY DUTY] .....	12, 69	Key Word Index .....	90-91
SLEEVE GUARD SOCKETS.....	77		
SLEEVE LOCKING OPTIONS.....	77		
SMOOTHIE, BETA CLAMPS .....	36		
SOCKET HEAD .....	43		
SPD, LOOP CLAMPS .....	56		
SPLIT BUSHINGS .....	39, 45		
SPLIT RUBBER BUSHINGS .....	45		
SPN, LOOP CLAMPS .....	55		
SPW LOOP CLAMPS .....	55		
SSN, LOOP CLAMPS .....	58		
STACKING BOLTS.....	31, 33, 35		
STACKING NUT.....	43		
STANDARD SAFETY TIP .....	22		

COUPLERS &amp; ACCESSORIES

CLAMPING PRODUCTS

COUPLER SPEC'S &amp; LAYOUTS

TECHNICAL DATA

INDEX

Quick Disconnect Couplers  
Blow Guns & Accessories  
Hose & Hose Fittings  
Cushioned Clamping & Support Systems  
Anti-Vibration Products



2324 W. Battlefield Rd. • Springfield, MO 65807  
Ph: 417-881-6600 • Fax: 417-881-3645  
1-866-918-3003

[www.couplers.com](http://www.couplers.com)