

FORD DEXTA PARTS CATALOGUE & PRICE LIST



Updated January 2017

Discount Tractor Parts
Free phone 0800 872272

E-mail sales@discounttractorparts.co.nz
Prices are plus gst and subject to change

COOLING SYSTEM



Water Pump Dexta Petrol	\$110.00
Water Pump Dexta Diesel	\$195.00
Water Pump Kit Dexta	\$64.00
Thermostat all	\$13.20
Radiator Cap large	\$15.60
Radiator cap Std long	\$15.00
Radiator cap std short	\$15.00
Fan Belt All Dexta narrow	\$14.00
Radiator Dexta	\$475.00
Radiator Super Dexta	\$499.00
Water pump back plate	\$11.00

COOLING SYSTEM

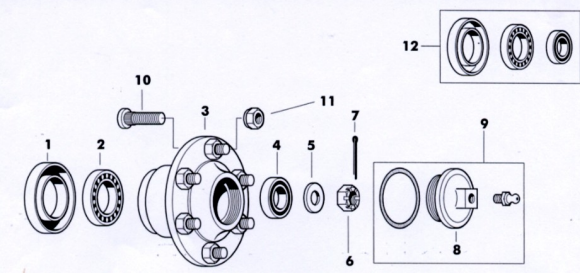


Hoses :- Diesel Engines

Top S/Dexta	\$17.50
Filler S/Dexta	\$15.00
Top Dexta	\$15.00
Filler Dexta	\$15.00
Bot. Dex S/Dex	\$20.00
Pump to block Dex/SD	\$10.00
By pass Dexta S/Dexta	\$7.50
Water Hose Kit Dexta	\$52.00
S/Dexta	\$52.00

Dexta petrol by pass hose \$6.90

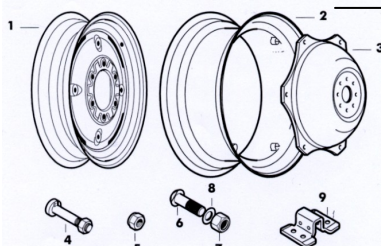
FRONT HUB



Hub & Bearings

Hub seal	\$6.56
Inner Brg	\$17.50
Hub	\$98.65
Outer Brg	\$18.50
Washer	\$3.56
Nut	\$3.21
Hub cap (cast)	\$9.36
Hub Cap (Pressed)	\$8.50
Stud	\$2.27
Nut	\$1.88
Brg & Seal Kit	\$36.50

WHEEL RIMS

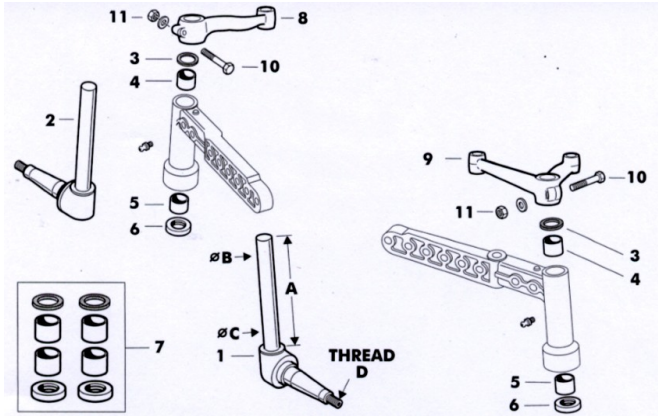


Wheel Rims & Bolts

Rim suit 6.00x 16 tyre	\$88.00
Rim suit 7.50x 16 tyre	\$110.00
Rim suit 10 & 11 x 28 Tyre	\$250.00
Rim nut & bolt set	\$7.50 ea

Prices plus GST
& subject to change 1

FRONT AXLE



Front Axle parts

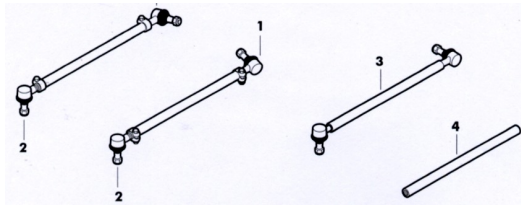
King pin LHS	\$130
Kingpin RHS	\$130
Felt seal	\$2.50
Top KP bush	\$5.10
Lower KP bush	\$11.70
KP Thrust Brg	\$14.04
KP Repair Kit	\$29.64 per side
Centre Axle Pin	\$95.00
Centre Axle Bush	\$38.50

STEERING BOX

Steering Wheel	\$60.00
Steering Wheel Nut	\$19.50



STEERING LINKS



Drag Links Dexta

Rear tie rod end	\$38.00
Front tie rod end	\$38.00
Drag link tube 34 1/2"	\$48.00

ENGINE KITS

MODEL	Kit A	Kit B	Kit C
Dexta petrol			
4cy 87mm bore	\$692	\$760	\$1160
Dexta diesel Perkins 3-144			
88.925 bore *	\$498	\$540	\$940
Dexta diesel Perkins			
A3-152 91.491 mm bore	\$498	\$560	\$940

*Note :- * Kit contains cast cylinder liners. Chrome liners N/A. Some gaskets and seals not included in kit*

Kit A contains :- liners, pistons, rings, gudgeon bushes & pins, big end brgs, gaskets

Kit B contains :- all of kit A plus main brgs, thrusts, seals

Kit C contains :- all of above plus new crankshaft.

Prices plus gst and subject to sale

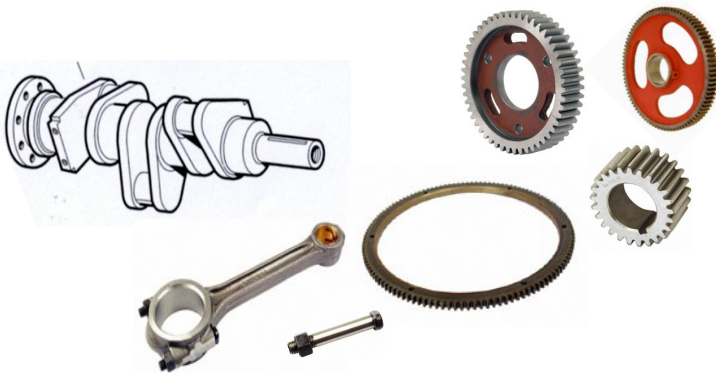
ENGINE PARTS

Model	Piston liner & ring kit	Piston only	Ring set per cy.	Liner	Con rod Brg set	Gudgeon bush	Main brg set std	Crankshaft thrusts
Dexta Petrol 4 cy 87mm	\$131	\$69	\$19.50	\$76.50	\$60 **	\$7.70	\$58 ***	\$33 ****
Dexta Diesel Perkins 3-144 88.9mm bore	\$131	\$69	\$23 ##	\$62.50	\$22 ***	\$5.20	\$39 ***	\$19.50 #
Dexta Diesel Perkins 3-152 91.491	\$144	\$83	\$22 ##	See Note *	\$22 ***	\$5.20	\$39***	\$19.50#

NOTE. Do not use chrome piston rings in chrome bores

*F10/D34 Finished liner \$62.50 F10/D34 SF Semi finished \$53 F10/D34 OS .030"o/size \$65.50
 **Avail in :- Std, .010" .020" .030" .040"
 *** Avail in :- Std .010" .020" .030"
 **** Avail in :- Std .005"
 # Centre Tab type.
 ## Not suitable for use with chrome bores

CRANKSHAFT & CRANKCASE



Diesel engines 3-144 & A3-152

Crankshaft \$540
 Flywheel lock tabs \$4 ea
 Crankshaft timing gear \$40
 Camshaft timing gear \$175
 Idler timing gear \$65
 Ring gear \$150
 Connecting rod \$85
 Con rod bolt & nut set \$5.25 ea
 Con rod bolt nut only \$2.00 ea

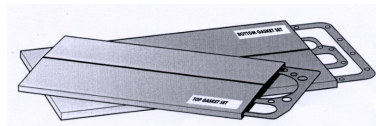
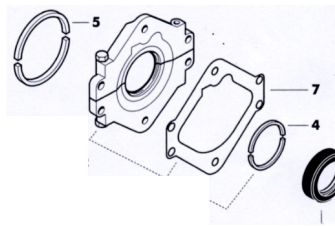
Petrol Engines 87mm bore

Crankshaft \$520
 Timing chain and governor parts POA

GASKETS & SEALS

Diesel Engines

Head gasket set \$66
 Bottom gasket set \$46.80
 Head gasket only \$35
 Tappet cover gasket \$9.50
 Sump gasket \$14.20
 Timing cover seal \$17.20
 Rear main seal \$6.40
 Rear main alloy housing assem. \$48.50

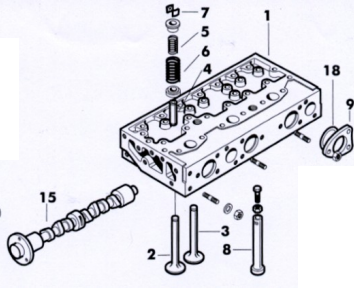


Petrol Engines

Head gasket set \$48
 Bottom gasket set \$31.20
 Sump gasket \$7.20
 Rocker cover gasket \$7.20
 Timing cover seal \$11.00
 Rear main seal \$10.20
 Liner seal \$9.00 2 req.

Prices plus GST and subject to change 3

CYLINDER HEAD



Cylinder Head Dexta Petrol

Valve Inlet	\$13.20ea
Valve Exhaust	\$15.00ea
Valve Guide	
Inlet	\$6.00ea
Exhaust	\$6.93ea
Valve Spring	\$3.90ea

Cylinder Head Dexta Diesel

Cy Head with valves	\$680.00
Valve inlet	\$12.00
Valve exhaust	\$15.00
Valve guide in & ex	\$7.50 ea
Valve spring outer *#	\$4.20
*# Outer only required	
Valve collet	\$3.00 ea
Tappet follower	\$16.50 ea
Manifold gasket	\$3.00 ea
Comb. Chamber seal	\$6.50 ea
Injector Washers	\$1.20
Chamber Cap	\$46.00
LH Rocker Arm	\$34.00
RH Rocker Arm	\$34.00

Oil pump diesel engine	\$87
Oil Pump Rotor assem. petrol	\$91
Ring Gear Dexta Petrol	\$95
Ring gear Diesel eng	\$160
Dipstick Diesel	\$7.80

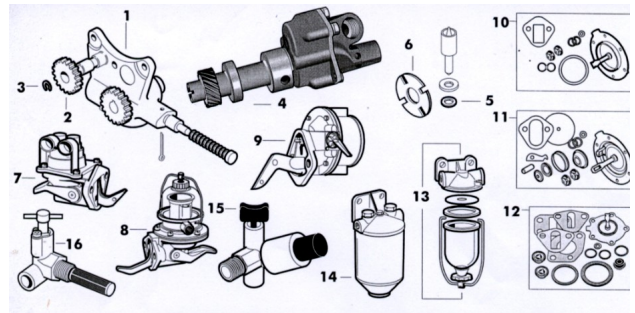
Fuel system

Injector washer Dexta	\$1.20
Fuel Lift pump All Dexta	\$66
Repair kit	\$21.50
Fuel tap and primer	\$195
Fuel tap alternative. Dex. & F/son	\$30
Fuel Cap Dexta Diesel	\$17.20
Injection Pump Diaphragm	\$89.50



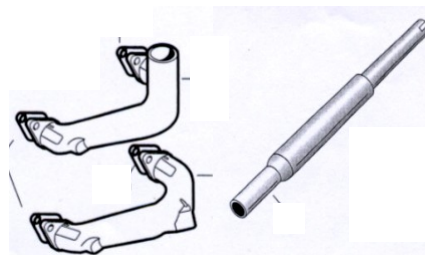
Exhaust cap \$15

OIL PUMPS & FUEL SYSTEM



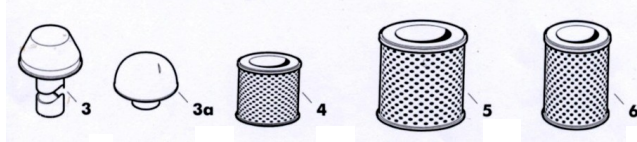
Exhaust

Exhaust manifold upstand Dexta	\$125
Manifold gasket Dexta	\$3.00 ea
Ex manifold down swept Dexta	\$102
Muffler Dexta	\$82.00



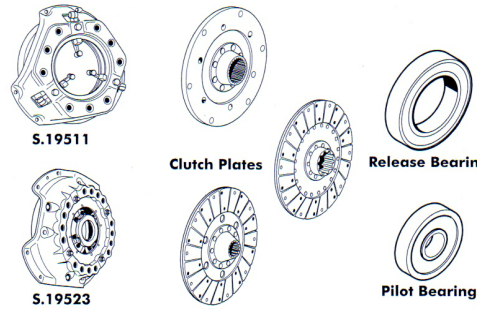
Prices plus gst and subject to change

FILTERS



- Pre cleaner 50mm ID outle x 82mm length \$31.00
- Oil filter Dexta petrol \$14.00
- Oil filter Dexta diesel \$14.00
- Fuel filter Dexta 33mm centre hole \$9.90
- Fuel filter Dexta 19mm centre hole \$13.26
- Air Cleaner Hose Dexta \$18.50
- Element Oil Bath Dexta \$62.50
- Universal Air Cleaner assembly \$85

CLUTCH

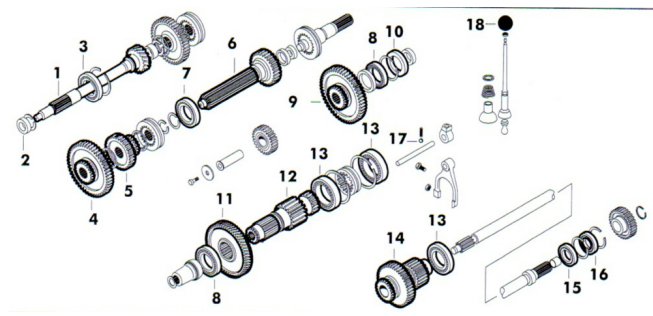


CLUTCH KITS AND PARTS

Model	Kit	Drive plate	PTO plate	Pressure plate	Release brg	Spigot Brg
Single plate 11" x 15 spl	\$395	\$96		\$255	\$74	\$7.65
Dual plate 9" x 15 spl & 9" x 29 spl.		\$100	\$123		\$58.50	\$7.65

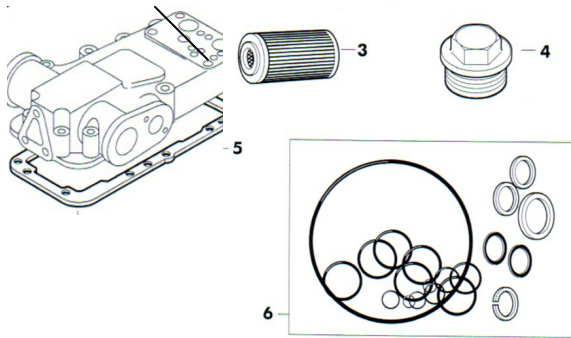
Dexta gearbox parts

- Input shaft 17 T (8/60 >) \$175
- Seal - Main input shaft \$12.50
- Seal 49x79x12 \$16.50
- Bearing - main input shaft \$26
- Gear -1st & 3rd -49 T \$185
- Gear 2nd & 5th 41 Teeth \$185.00
- Gear -reverse idler -30 T \$205
- Main shaft -28 T 1 1/8" spigot \$250
- Main shaft -28 T 1" spigot \$295
- Bearing -main shaft \$30
- Bearing \$69.50
- Gear - output \$350
- Seal -83 x 46 x 14.8 mm \$17.50
- Gear countershaft 24 x 57 T x 26spline \$240
- Countershaft \$195
- Gear -counter shaft \$295
- Seal -PTO counter shaft. 43 x 73 x 16 mm \$8.50
- Selector ball 3/8" diam \$1
- Knob Gear shift \$7.00
- Gear lever mount plate \$79
- Gear lever assembly \$225
- Main & HL levers \$58 each



Prices plus GST and subject to change 5

HYDRAULIC SYSTEM



Hydraulic seals and gaskets

Hy cover gasket \$12.00
 Filler plug \$16.50
 Lift piston seal (cuff type) \$16.50
 Hy. o/haul seal kit Dexta \$45.00
Kit contains lift cover, cylinder & pump seals.

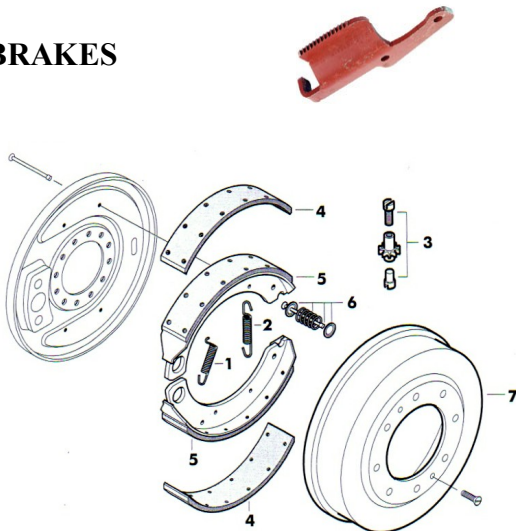
Large range of control valve spools, and housing Available POA

PTO

Seal 60.2 x 37.5 x 20.2 mm \$17.50



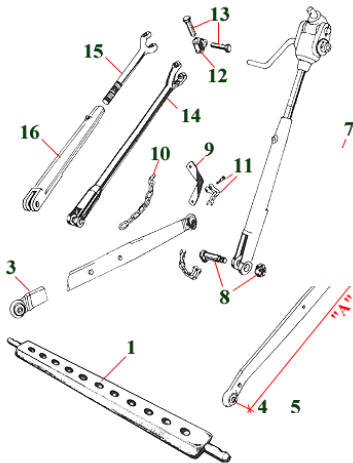
BRAKES



Brakes

Spring (no 1) \$4.00
 Spring (no 2) \$5.00
 Adjuster \$35.50
 Brake lining kit \$48.50
(contains 4 facings & rivets)
 Brake shoe \$168 set of 4
 Retaining kit \$12.00 per side
 Hand Brake Ratchet Plate \$58

THREE POINT LINKAGE



Rear linkage

Linkage drawbar. Cat 1 \$67.50
 Lower arm 813mm x 12mm \$104
 Lower arm 813mm x 18mm \$144
 Weld on end cat 1 \$17.00
 Lower link pivot bolt \$10.00
 Knuckle \$15.00
 Pin 5/8" \$3.60
 Yoke rod \$57.00
 Fork \$40.50
 Levelling box \$147

Prices plus gst & subject to change 6

PANELS



Grill set with H/L holes	\$185
Grill set without H/L holes	\$185
Footplate set	\$310
Mudguard orig shape	\$520 pr
Toolbox	\$95
Dexta Nose Cone (No Grill)	\$895
Nose Cone (No grill) S/Dexta	\$POA
Bonnet Handle Dexta	\$58
S Dexta	\$69

Lock Assembly	\$22350
Steering Box Cover Set	\$141.50
Dash Panel	\$164
Dash Panel Cover	\$57
Bonnet Set Dexta	POA
S/Dexta	POA
Bonnet Rubber/Rivet Set	\$51.40

ELECTRICAL



Electrical

Solenoid Button Type	\$55.50
Starter solenoid	\$36.50
Ignition / light switch	\$48
Generator 11 amp	\$150
Regulator bullet terminals	\$72
45 amp Alternator / regulator with A section pulley	\$186
Dexta 3cy starter mtr (with solenoid)	\$360
Wiring Harness Dexta	\$240
Wiring Harness S Dexta	\$240
Starter Boot	\$20.50
Ign Oil Dash Lights	\$49pr
3cy Glow Plugs	\$69.80
Cover for pre heater switch	28.40
Neutral Safety Switch	\$35
Ign Switch. Flat mount on/off	\$35
Ign. / light switch	\$47
Oil Pressure Switch avail 1/8" or 1/4" gas thread	\$18.50

INSTRUMENTS



Gauges

Water temp gauge Dexta	\$51.00
Rev counter Dexta diesel	\$58.00
Rev counter cable (all)	\$65.00

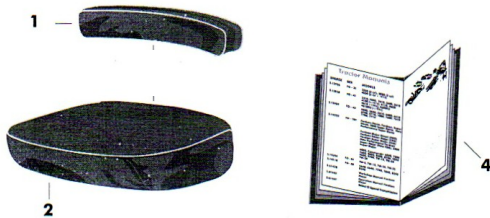
LIGHTS



Lights

Headlight LH RH external \$46.00 ea
 Headlight (in grill) L/R \$48.00ea
 Lamp & mount L/R Dexta \$99.00 ea
 Lamp assembly only \$69.00
 Lens only red \$16.50
 Lens only white \$16.50
 Rubber lens surround \$19.50
 Number plate lamp \$95.00
 Rubber light socket \$POA
 Number plate holder \$140.00

SEATS, MANUALS



Seats, Manuals

Dexta operators handbook \$46
 Service manual. Includes Fordson Major
 & Dexta \$86.50
 Metal Seat Pan \$153
 Seat Cushion & Back Rest \$112

BADGES

Nose cone badge's

Dexta \$165
 Super Dexta \$POA

