

MASSEY FERGUSON 135

Parts Catalogue and Price List

Updated February 2017

Includes 3cy diesel and 4 cy petrol models



Discount Tractor Parts Ph 0800 872272

See our full range of catalogues on line

www.discounttractorparts.co.nz

Email sales@discounttractorparts.co.nz

Prices plus gst & subject to change

Front Axle

King Pins LH RH \$118.70 ea
King Pin Repair Kit \$25.50 per side
King pin lower thrust brg \$13.41
King pin bush \$5.10 ea. 2 per side req.
Dust Shield \$12.20
Spindle seal \$2.34
Wheel bearing & Seal Kit \$45.00 per side
Hub oil seal \$4.86
Wheel Hub \$72.00 (takes wheel bolts)
Hub cap \$9.36
Keyed Washer 3/4in Dia \$3.56
Castellated Nut 3/4in Dia \$3.21

Wheel Stud \$2.49
Wheel Nut \$2.19
Wheel stud bolt \$2.81
Wheel rim 4.5 x 16 \$88.00
(takes 600 x 16 tyre)

Radius Rod Axle *To ser. no 140128*

Axle pivot pin \$51.48
Flanged bush \$12.45 ea 2 req
Tie Rod Ends 1) rear \$28.50
 2) Front \$25.05
Boots \$4.00 Universal fitting
Bolt & nut Axle beam to exten \$5.15
Bolt & nut Radius rod to axle \$6.24

Non Radius Rod Axle

From Ser.no140129

Axle pivot pin \$49.92
Axle pivot bush \$11.70

Tie Rod Ends *Manual steer models*

1) **Rear LH/RH** \$28.50 ea
 2) **Front LH** \$39.00 ea
 3) **Front RH** \$39.00 ea

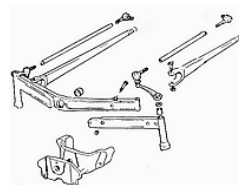
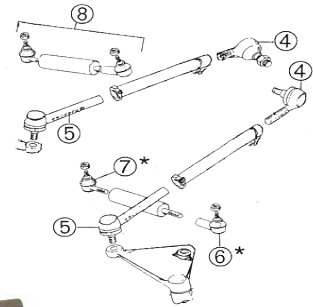
Prices + gst and subject to change



Tie Rod Ends *Power Steering models*

4) **Rear drag link** \$28.50 ea
 5) **Front drag link** \$49.50 ea
 6) **Hy. ram. f/m Thread** \$45.24ea
 7) **Hy. ram Male Thread** \$39.00 ea

 8) **Power steer ram** \$354 per side
 (Includes ball ends. Fits either side)
Ram Seal Kit (non orig) \$64.00
Ram seal kit \$33.69 per side (orig model)
Power steer hydraulic pump \$445
Pump Seal Kit \$28.08



Cooling

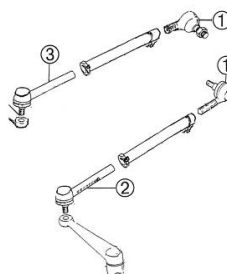
Hoses

Radiator hose kit \$33.00 *note 1a*
Radiator hose kit \$33.00 *note 1b*
 1) **Top Hose** \$10.40
 2) **Bottom Hose** \$15.45 *note 1a*
 3) **Bottom Hose** \$17.16 *note 1b*
 5) **Pump to Cylinder Block hose** \$8.58
 6) **By pass hose** \$8.24

Air cleaner to manifold hose :-

7) **Oil bath cleaner** \$17.16
 8) **Dry element cleaner** \$26.60

*Note 1a suits radius rod front axle models
 Up to Serial Number 148525
 Note 1b suits straight axle models
 From Serial Number 148526*



COOLING *cont*

Fan belt \$14.25

Water Pumps

Without Pulley \$68.00

With Pulley (27mm spigot) \$86.00

With Pulley (41mm spigot) \$86.00

Radiator \$425.00

Radiator Pads \$3.00 ea

Radiator Cap 7 psi \$15.00

Thermostat \$11.25

T/stat housing Gasket \$3.50

Fan blades \$12.75 ea 2 req.

Spigot
Diam. →



Engine

Oil pump \$78.65

Timing Cover \$178.00

Timing Cover Seal \$12.45

Fly wheel ring gear \$72.00

Flywheel Lock Plates \$2.85 ea

Piston \$82.50

Ring set \$21.75 per cy

Liners *finished / Semi finished* POA

Piston liner kit \$144.00 per cy

Con rod BE brgs \$21.84 *full eng set*

Main brgs \$39.00 *full set*

All brgs avail std - 0.030 thou. us

Crank thrusts \$19.50 std o/size \$45

Con rod \$77.50

Conrod lock nut \$1.47 ea

Gudgeon bush \$4.50 ea

Crankshaft Rope Seal \$540

Crankshaft Lip Seal \$548.00

Oil filler cap \$10.92

Eng oil dip stick \$7.80



SPECIAL PRICES ON ENGINE KITS

Engine Kits AD3-152 3cy engine

Rope Rear Seal In Tractor \$439.89
Full O/haul \$506.54
With Crankshaft \$919.77

Lip Rear seal In Tractor \$439.89
Full O/haul \$506.54
With Crankshaft \$959.76

Kits contain :-

In tractor :- gaskets, big end brgs, rings, liners and pistons

Full o/haul :-gaskets, big end & main brgs, rings, liners , pistons & thrusts

Crankshaft :-as full o/haul plus crankshaft .

Engine block assem \$1173. *Lip Seal Only*

Rear lip seal housing \$47.50

Rear lip seal \$39.00

Rear rope seal housing \$48.50

Rope type seal rear \$3.50 ea (2 reqd)

Engine Gaskets

Head Gasket Set \$42.00

Bottom Gasket Set \$44.00

Sump Gasket \$12.00

Head gasket \$28.50

Tappet cover gasket \$8.25

Cylinder Head

Cy. Head assembly \$540.00

Inlet Valve \$9.00

Exhaust Valve \$12.00

Valve Guide \$6.09

Valve Spring (Outer Spring Only) \$3.90

Injector Washers \$0.98 ea

Valve keepers \$2.19 ea

Valve train kit \$110

Exhaust

Up tp Engine No UA274531

Manifold :-Bottom Outlet
\$49.50

Elbow *to suit* \$36.00

After Engine No UA274531

Manifold *with Side Outlet* \$72.00

Elbow *to suit* \$42.00

Manifold Gasket (2 req) \$2.55 ea

Ex Flange Gasket \$3.75

Manifold Stud & Nut \$5.40 ea

Exhaust Clamp 2 1/4". \$4.00

Muffler \$52.00 Silver paint
\$59.00 Baked Enamel

Down Swept Ex Pipe \$73.50

Down Swept Muffler \$45.00

Heat Shield D/S Muffler \$32.76

Exhaust Clamp \$4.00 D/swept kit

Rain caps \$15.00



Prices plus GST and subject to change

Fuel System

Lift Pumps

Model With Glass Bowl \$58.50

Model without Glass Bowl \$58.00

Glass Bowl \$10.50

Lift Pump Bowl Seal \$3.50

Fuel pump kits AC type, 5 screws \$18.00

Corona Type, 6 Screws \$33.00

Injection pipe kit \$65.52

Injector bleed back pipe \$33.00

Full range of fuel lines available

Stop Knob \$5.46

Fuel Tank Cap \$14.00

Fuel Tap \$18.00

Tap filter \$3.00

Injector Kit \$185.00

Contains 3 new injectors

Injector \$75.00 ea



Filters

Pre Cleaner Mushroom \$46.00

1) Oil Bath Air Cleaner assembly \$82.00

Oil Bath Air Cleaner Element \$24.00

Dry Air Filter Element Inner \$31.50

Outer \$46.11

Oil Filter Element \$10.95

Spin On \$15.50

Fuel Filter

Primary \$6.71

Secondary \$6.71

3) Air pre cleaner assembly \$40.50

(Donaldson type 52mm outlet)



Electrical

Generator \$145.00

Pulley \$32.25

Control Box \$68.50

Starter (RH Side of Engine) \$315.00

Gear Box Starter Isolating Switch

\$32.25

Ignition. Switch \$34.50

Keys \$6.30 pr

Manifold Heater \$28.00

Wiring Lomh \$75.50

Headlamp Switch \$24.00



Battery leads

Terminal and lug :- 300mm \$23.96

460mm \$29.96 690mm \$38.12

900mm \$41.75 1200mm \$50.82

Lug each end 450mm \$26.33

610mm \$29.04 910mm \$38.12

Instruments

Oil Pressure Gauge \$26.50

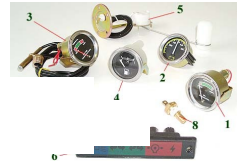
Ammeter \$19.50

Water Temp. Gauge \$32.50

Fuel Gauge \$29.75

Fuel Tank Sender \$47.50

Dash Light \$26.00



Tractor Meters & Drives

Tacho Meter

6 Speed Transmission \$45.00

6 speed with Multipower

\$45.00

Tacho Cable \$20.25

Tacho drive assem. \$47.50

Includes gasket & seal

Seal only \$10.00



Lights

Headlight assembly LH/RH \$59.00 per side

Incl :- Cowl \$14.30

Semi sealed beam unit \$29.25

Fixing Set \$13.25

Plug & Lomb \$11.00

Early type lamp assembly 4 inch \$52.00

Work lamp

\$50.00

Marker light

\$61 per side



Panels

Bonnet & Grill Catch Kit (Contains 4 Handles, 3 dezus clips, 1 Grill Door Screw) \$85.00

Lock Lever & hook for Battery Door \$19.50 set

Lock Lever for Hood Top Door \$13.95 ea

Wire latch for above lever \$3.20 ea

Bonnet side badge 135 \$22.00 2 required

Front badge bar \$36.00

Hood Pivot Bolt \$5.00 ea 2 req

10) Hood Top assembly \$POA *Incl. Doors (does not include latches)*

11) Lower Front Apron \$45.75

12) Grill avail 330mm &

356mm High \$89.00 ea

13) Grill Door 330mm &

356mm High \$45.00 ea

14) Top Nose Grill \$26.75

15) Side Panel 500mm LH / RH \$33.50 ea

15) Side Panel 525mm LH / RH \$33.50 ea

Bonnet decal set \$29.50



Mudguards

2) Curved Guards \$486 pr.

3) Flat top guards \$698.00 pr

Flat Top Guards (orig type with tool box) \$960 pr

Mudguard bolt and nut \$11.50 ea

Footplates \$165 each

Tool Box :-universal \$48.00

Ferguson type \$48.00



Clutch Kits



9"x11" Clutch kit \$550

Comprises of:-

Clutch cover assembly \$440 *includes PTO plate*

Main drive plate 11" x 1 1/8x10 spline \$72.50

Thrust brg \$63.00

Flywheel brg. \$7.65

PTO plate 9x13/4x10 spline \$51.50

10" x 12" Clutch kit \$693.00

Up to Serial No 439191

With 10 spline coarse PTO plate

Comprises of:

Clutch Assembly Incl.P.T.O. Plate \$573.19

Main Drive Plate 12" x 10 spline \$74.50

Thrust Brg. \$63.00

Flywheel Brg. \$7.65

PTO plate 10"x13/4 x 10 spline \$54

10"x12" Clutch kit \$693.00

With 25 fine spline PTO plate

From serial no 439192

Comprises of:

Clutch Assembly \$573.19

Main Drive Plate 12"x 1 1/8x10 spline \$73.75

Thrust Brg. \$63.00

Flywheel Brg. \$7.65

PTO plate 10" x 25 spline \$69.75



Release bearing Carrier

Std Trans \$31.75

Multi power \$32.75

Pressure plate components

avail. separately

Price on application



Prices plus GST & subject to change

Steering Column

Steering Wheel \$45.00

Steering Shaft Assembly (2 types)

Up to sn.no 400,000 \$145.25 (537mm length)

After sr. no. 400,000 \$145.25 (567mm length)

Bearing Kit \$28.50 (top of column)

Sector shaft Oil Seal \$4.68

Dome chrome nut \$8.75

Chrome washer \$12.00

Chrome collar \$13.50

Column to dash, rubber \$6.50



Rear Axle

1 Outer Seal \$12.00

2 Inner Seal \$9.00

3 Gasket Outer Housing \$2.97

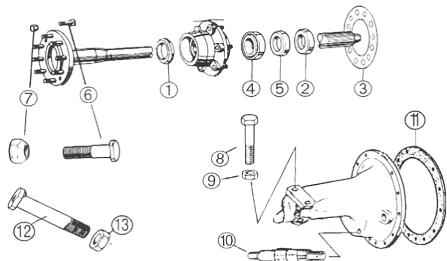
11 Gasket inner housing \$2.49

4 Axle Bearing cup and cone \$76.00

5 Bearing locking collar \$14.75

6 Wheel Studs 9/16in UNF \$3.15 ea

7 Rear Wheel Nuts \$2.00 ea



Brakes

Brake springs \$2.20 ea (2 per side)

Brake spring 1 per side

Linings \$45.50 4 facings & rivets

Adjuster assembly

Brake drum \$118.00

Brake Shoe Kit \$178.50 (4 shoes)

Handbrake lever repair kit \$16.95

Handbrake assembly \$155

Shoe retainer kit \$12.48 per side

Drum retaining screw \$5.00 ea



Gearbox

Large range of parts available POA

Hydraulics

Pump & Filters

NEW LOW PRICES

MKII Pump With 10 Spline Camshaft \$768.00

Filter (Faces Up) \$18.75

MKIII Pump With 21 Spline Camshaft \$999.00

Filter (Faces Down) \$19.75

Aux. Hyd. Pump With Vertical Mount Plate \$750.00

Single Multipower Pump (Aux. Pump Not Fitted) \$730.00

Hydraulic pump repair kits

Standard overhaul:

MKII \$150.00

MKIII \$140.00

Major overhaul:

MKII \$295.00

MKIII \$295.00



Individual parts available

Hydraulic Lift Cover

Lift piston rings

Early Model (3 req.) \$5.93

Late model O Ring (1 req.) \$5.46

Back Up Ring \$18.45

Piston (O'Ring type) \$57.72

Ram Cylinder \$142.56

Cross Shaft \$119.97

Cross Short Bushes (2 req.) \$24.00

Cross shaft seals \$5.00 ea

Top lift arms \$225 ea

Other parts available POA

Prices plus GST and subject to change

Power Take Off

- P.T.O. Shaft (up to S/N 439191) \$145.50
- P.T.O. Shaft (after S/N 439192) \$189.50
- P.T.O. shaft seal \$15.60
- Carrier O' Ring \$3.00
- Rear bearing \$41.50
- Cover Cap \$29.75

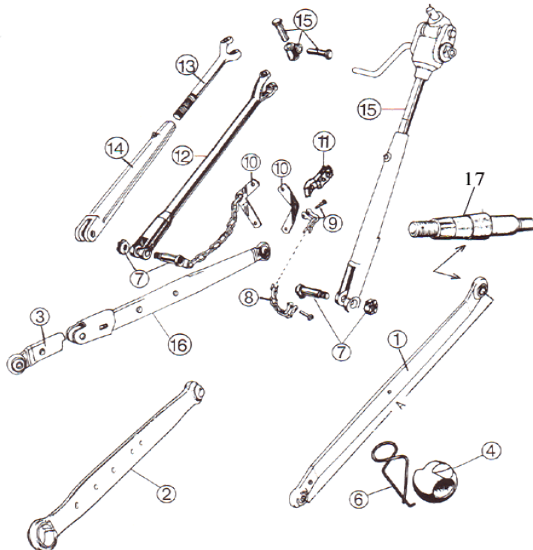


Three Point Linkage

- 1) Lower Link Arms Cat 1 \$155.00
Length 838mm x 16 mm thickness
- 2) Lower Link Arms Cat 2 \$195.00
Length 890 x 16mm

Top link \$45

- 7) Eye bolt assembly (lower link) \$7.49
- 7a) Eye bolt with check chain mount \$13.20
- 8) Inner check chain & clevis \$14.04
- 12) Fixed yoke rod \$85.40
- Two piece yoke rod made up of :-
- 13) Male threaded \$57.00
- 14) Female Threaded \$48.00



17) Lower Arm Pivot Pin

Cat 1 \$16.50

Cat 2 \$28.08

4) Linkage Balls

Cat 1 \$11.70

Cat 2 \$11.70

Dual Cat 1/2 \$13.50

Ball Retaining Clip \$2.07 ea

Weld on Replaceable Ball Ends

Cat 1 \$18.00

Cat 2 \$24.50

15) Leveling Box \$146.63

Individual Parts Available POA

Linkage drawbar Cat 1 \$67.50

Cat 2 \$72.00

Universal Check Chains \$39.75 ea

Adjustable Stay Rods \$33.00 ea



General

Workshop Manual \$73.50

Gear Lever Knob (Plain) \$7.80

Gear Lever Boots \$3.00 ea

Paint:

- Grey 1L \$41.25
- 4L \$104.69
- Red 1L \$47.64
- 4L \$127.05

Silver Mist

- (Wheels) 1L \$43.32
- 4L \$109.32

Undercoat 4L \$86.65

Thinners 4L \$48.75



SEATING

Original design metal bucket seat with hinge mount bracket

\$130

Hinge Only **\$49.50**

Seat Bracket **\$98.50**

Seat Cushions to suit bucket seat above, Lower

Cushion **\$59.50**

Backrest **\$31.25**



3 way diverter valve **\$145.65**

ROLL OVER PROTECTION FRAMES

Hoop top frame

\$879.78

T-Bar frame

\$1133.05

Fold down for low clearance

\$1622.26



Canopy & mount kits

T bar mount kit and canopy **\$490**



Hoop type mount kit and canopy **\$526**



Canopies available in White, blue, orange, green, red

Suspension Seat
Custom designed for
MF 35 & 135
Tractors

\$243



Prices plus GST and subject to change

Prices plus gst and subject to change

MF 135 Petrol Supplement

Cooling System

Water pump without pulley hub \$81.00

Water Pump with Pulley hub \$120

Thermostat \$13.20

Hoses

Radiator hose kit \$29.64

Top radiator hose \$20.18

Bottom radiator hose \$11.33

By pass hose \$7.89

Fan Belt

Narrow Belt \$16.85

Radiator N/A

Radiator Cap \$15.00

Engine Kits 87mm bore

In Tractor \$655.00

Piston liner kits, BE brgs, gud.bushes, gaskets

Full Overhaul \$710.85

As above plus main brgs & crankshaft seals.

Crankshaft kit \$1155.75

As above plus new crankshaft

Piston / liner kit \$125.45 ea

Piston ring set Std oil ring \$19.50 per cy

Piston \$69 ea

Cylinder liner \$72.44 ea

Cylinder liner seal \$8.58 2 req

Crankshaft \$519.87

Big end brg set \$54.00 Avail std > 0.040"

Main brg set \$58.00 Avail. 0.030"

Crankshaft thrust set \$32.76 std & .005

Con Rod Lock Plate \$2.97 ea

Rear crankshaft oil seal \$10.14

Gudgeon bush 7.65 ea

Oil pump rotor assembly \$98.64

Ring gear \$86.65

Engine oil filter \$10.00

Cylinder Head

Inlet valve \$13.20

Exhaust valve \$15.00

Valve guide inlet \$6.00

Valve guide exhaust \$6.93

Valve spring \$3.90

Head gasket set \$48.00

Bottom gasket set \$31.20

Sump gasket \$7.17

Tappet cover gasket \$7.17

Head gasket \$36.00

Carburetor non orig design \$346

Zenith 28G parts :-

Carburetor gasket set \$17.16

Carburetor overhaul kit \$60.84

Needle and seat \$20.25

Fuel tap. \$43.50 *Non orig with glass bowl and reserve tap*

Glass bowl non orig type \$9.36

Bowl Gasket non orig type \$3.00

Glass bowl orig type \$10.50

Bowl gasket orig type \$3.50

Exhaust

Upswept

Muffler \$59.00 Baked Enamel
\$48.00 Painted

Elbow \$48.00

Flange gasket \$4.50

Clamp \$4.00

Downswept

Muffler \$45.00

Exhaust pipe \$55.50

Heat Shield \$32.76

Flange gasket \$4.50

Clamp \$4.00

Manifold to head gasket \$5.93 2 gasket

Manifold stud & nut \$6.24

Muffler rain cap \$15.00



Prices plus GST and subject to change

Clutch

Single Clutch Kit 9" \$471.35

Comprises of:

Pressure Plate \$197.28
Clutch Plate \$138.50
Release Brg. \$175.60
Spigot Brg. \$7.65

Dual Clutch Kit 9" / 11" \$826.46

Comprises of:

Pressure Plate \$706.49 (*incl P.T.O. plate*)
Clutch Plate \$107.90
P.T.O. Plate \$58.80
Release Bearing \$63.00
Spigot Brg. \$7.65

Release brg carrier Std Transmission \$31.75
Multipower \$32.75

Electrical

Ignition System

Spark plug \$4.00 ea
Ignition points \$12.00
Condenser \$9.00
Distributor cap \$45.00
Rotor \$9.36
Spark plug lead set \$48.00
Complete distributor with cap \$199.00
12 volt ignition coil \$48.00
Full ignition Kit (incl distributor, leads, coil, plugs) \$235.00
Starter motor \$225.00
Starter solenoid \$35.00
Ignition switch & key \$38.00
Ignition warning light \$14.00 *non orig.*
Generator pulley \$32.25



Engine breather hoses

Dash panel to air cleaner \$30.00
Air cleaner to carb. \$5.94 *2 req*
Air cleaner to breather pipe \$3.44
Breather pipe to oil filler \$5.70
Mushroom pre air cleaner \$46.00

Battery leads

Battery to earth 300mm \$23.96
Battery to solenoid 460mm \$29.96
Battery to solenoid 690mm \$38.12
Solenoid to starter 450mm \$26.33
Solenoid to starter 610mm \$29.04
Solenoid to Starter 910mm \$38.12

General

Rev Counter Gauge \$42.50
Rev Counter Cable \$37.75
Temperature gauge \$31.50
Decals \$26.52

Service Manual \$73.50

Engine timing cover

Timing cover seal \$12.00
Governor Shaft Seal \$48.00
Timing cover gasket \$3.12
Timing cover \$224.58
Crankshaft sprocket \$69.27
Camshaft sprocket \$82.65
Governor weight Assembly \$75.50
Cup and shaft \$40.00
Timing Chain \$31.50

