

HomeGlide

new

HomeGlide

Extra



ROOM SERVICE

The smooth and Reliable Stairlift Range

A Solution for all Straight Staircases

HomeGlide and New HomeGlide Extra deliver a solution to all indoor straight staircase requirements and budgets. For more than sixty years people have benefitted from the convenience and dependability provided by our stairlifts. Smooth and secure – HomeGlide and HomeGlide Extra will take you up and down the stairs wherever you need them...because you deserve the very best.

HomeGlide

Live an active and independent life with the help of HomeGlide. Move between all levels of your home with maximum comfort and safety.



new HomeGlide *Extra*

Delivers all of the features and benefits of the HomeGlide and offers a great choice of options and colour matching possibilities. HomeGlide Extra is the ultimate marriage of elegant design and hi-tech functionality.



HomeGlide

Ergonomics and functionality in one

By consulting ergonomic experts and existing stairlifts owners the HomeGlides design is simple, sturdy and above all meets your accessibility requirements.

HomeGlides simplicity allows the stairlift to be installed in your home very quickly. Fitted directly onto your stairs cleanly and discretely, the stairlift glides effortlessly along an aluminium track. Following installation, the qualified engineer will provide you with a comprehensive demonstration to allow you to become quickly acquainted with HomeGlides easy to operate controls. After that, your HomeGlide is completely ready to use.



HomeGlide

Safety and Comfort

Quality, service and reliability are fundamental to our stairlift design. HomeGlide adheres to the latest stringent international safety standards, you can be assured of the highest levels of service and quality.

To help you to get on and off the chair safely at the top of your staircase, HomeGlide has a manual swiveling feature as standard. Also standard is a seat belt.

Pressure sensitive edging around the stairlift provides extra security in the event of an obstruction on your stairs.

An on/off switch is also fitted as standard, this keeps the batteries charged if you were to go on holiday and unplug the HomeGlide. The joystick on HomeGlide can be removed, acting as a key to prevent unauthorised usage.



HomeGlide

Versatility: Let's make life easier

- **Simple Joystick Control:**

HomeGlide is operated with an easy to use joystick, simply move the joystick left or right depending on whether you would like to go up or down your staircase.



- **Remote Control Handsets:**

For even more convenience, HomeGlide is available with 2 remote control handsets. The slim design handsets can be positioned at the top and bottom of your stairs to allow you to call your HomeGlide to you at any time. This also makes it easy for additional members of your household to use the stairlift.



- **Automatic Powered Hinge:**

HomeGlide is now available with a power folding hinge track. This is the perfect answer to all homes which have an obstruction at the foot of the stairs, typically a door. Via the remote control handset the lower section of the rail quietly folds away, leaving the doorway clear.



Introducing the ^{new} HomeGlide *Extra*

Bringing unsurpassed levels of elegance and versatility.

HomeGlide Extra completes the stairlift range by delivering an array of enhancements that are both elegant and functional, and all at a competitive price.

Harmony: Blending into your décor like a piece of furniture

HomeGlide Extra offers maximum comfort and the highest levels of aesthetical design. Recognising the highest standards of stairlift innovation, HomeGlide Extra was awarded the "Rehacare Design Award 2008/2009". With a choice of fabric colours and compact dimensions, HomeGlide Extra is an elegant and attractive addition to your home.



new
HomeGlide
Extra

Choice: An outstanding list of options

HomeGlide Extra has all of the features of the HomeGlide stairlift and the following additional features.

- **Linked footrest:**

This standard feature automatically folds the footrest up, removing the need to bend down to fold the footrest manually.



- **Curved armrests:**

HomeGlide Extra comes with a choice of curved and foldable armrests as standard. This provides a greater feeling of security whilst travelling.



- **Powered swivel seat:**

HomeGlide Extra comes with a manual swivel as standard. Upgrading to the new powered swivel option makes turning the stairlift at the top of the stairs effortless. By maintaining pressure on the joystick the seat turns to allow you to alight from the stairlift safely.



- **Heavy Duty Weight Capacity:**

HomeGlide Extra has the capacity to manage weights of up to 146kg (23 stone) at a staircase angle maximum of 45°.



- **Adjustable seat height:**

There are four different heights to choose, making it easy to provide you with the most comfortable seating position possible. The footrest lies just 97mm (4 inches) from the floor at the bottom, making access onto the seat seamless.



- **6 upholstery colours:**

This ensures that your HomeGlide Extra blends perfectly into your home.



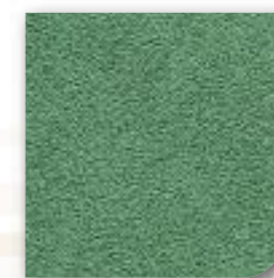
Cream
(Standard)



Brown



Blue



Green



Grey

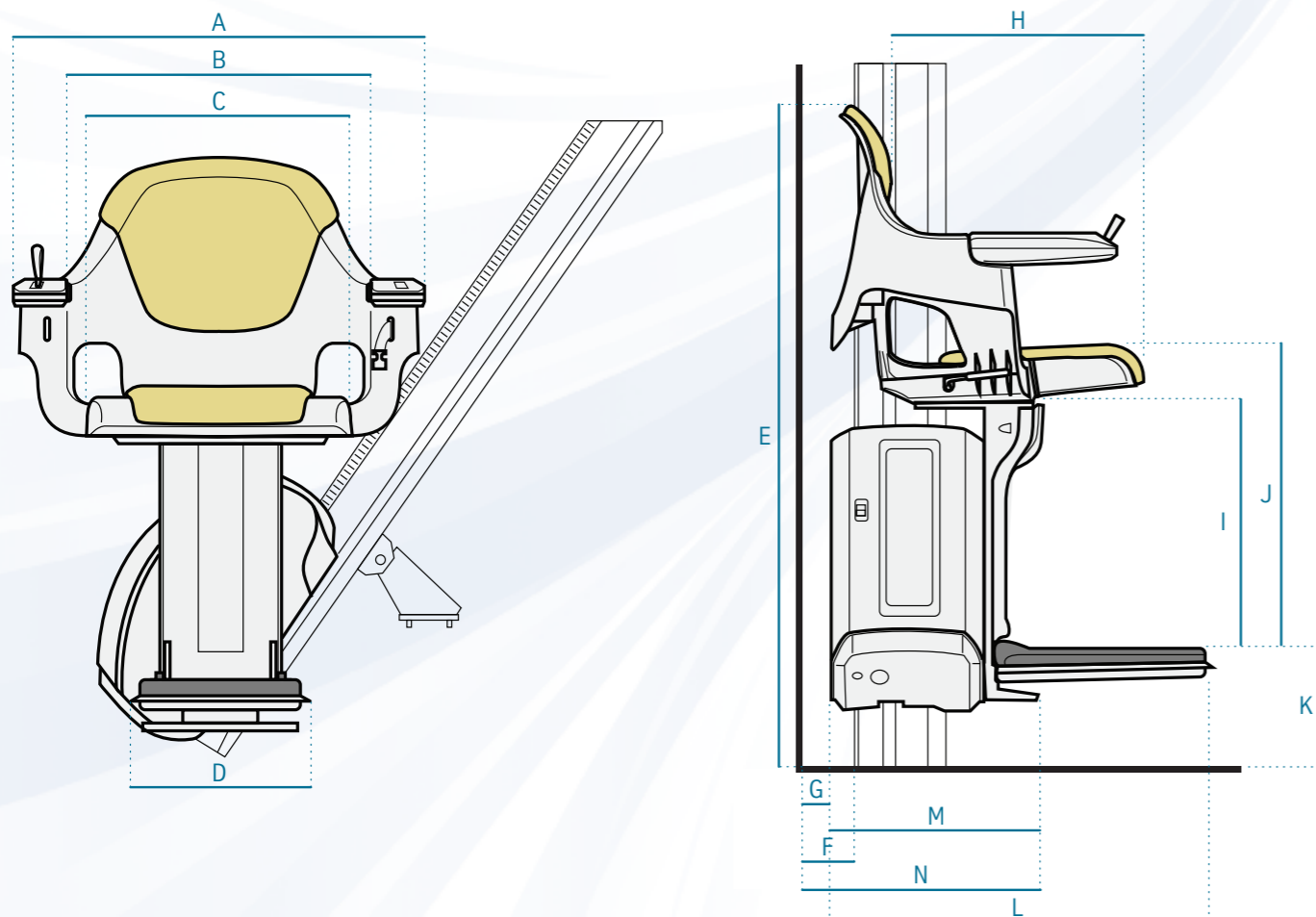


Red

HomeGlide Dimensions

Dimensions in millimeter

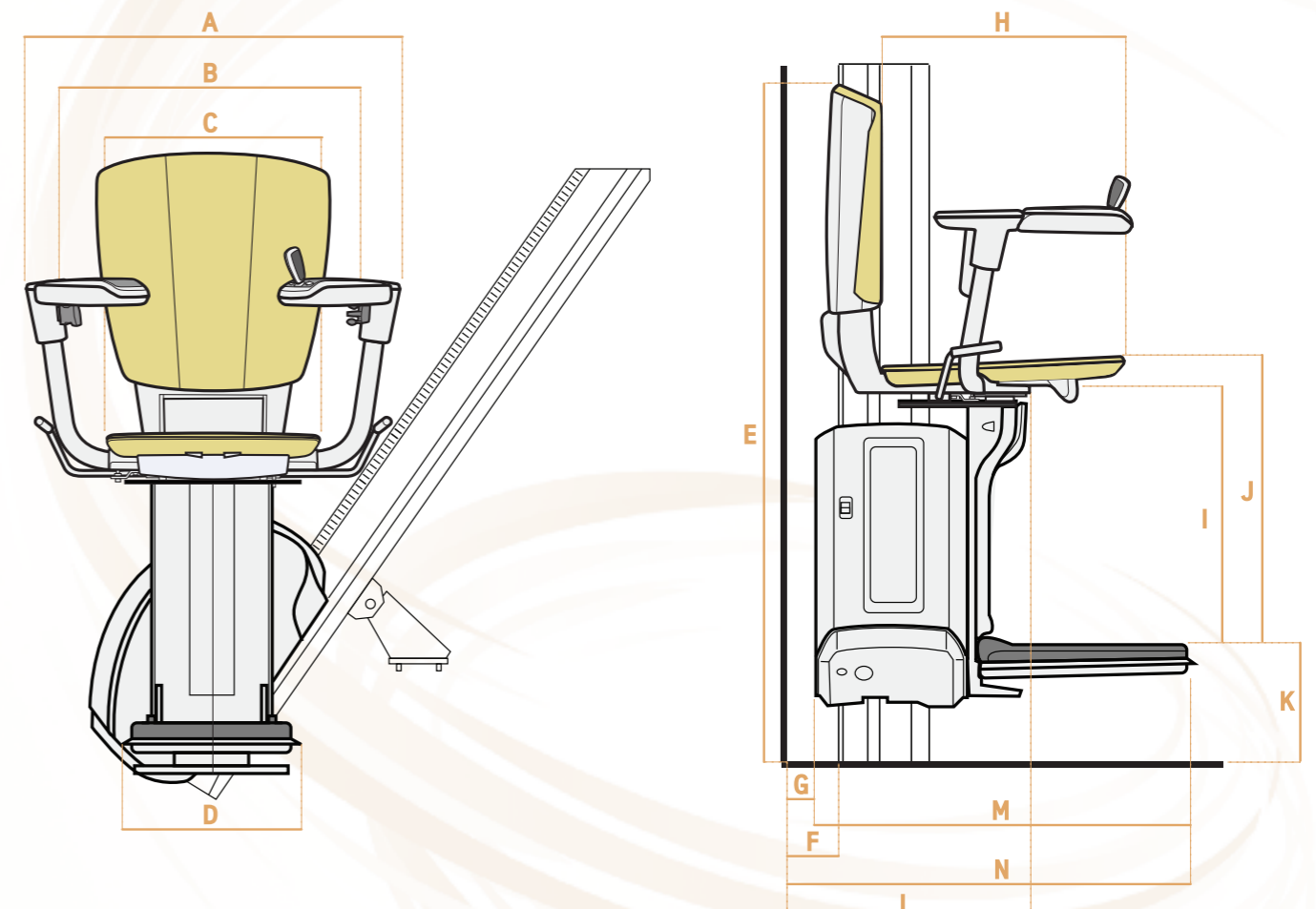
| | | |
|----------|--------------------------|--------------------------|
| A | Total width | 650 |
| B | | 480 |
| C | Folding seat width | 425 |
| D | | 295 |
| E | | 963 (848 + K) |
| F | | 75 |
| G | When not swivelled | 35 |
| H | Seat depth | 415 |
| I | | 425 |
| J | | 450 (without upholstery) |
| K | | 115 (94 - 118) |
| L | | 620 |
| M | | 330 |
| N | | 365 (min) (M + G) |



new HomeGlide Extra Dimensions

Dimensions in millimeter

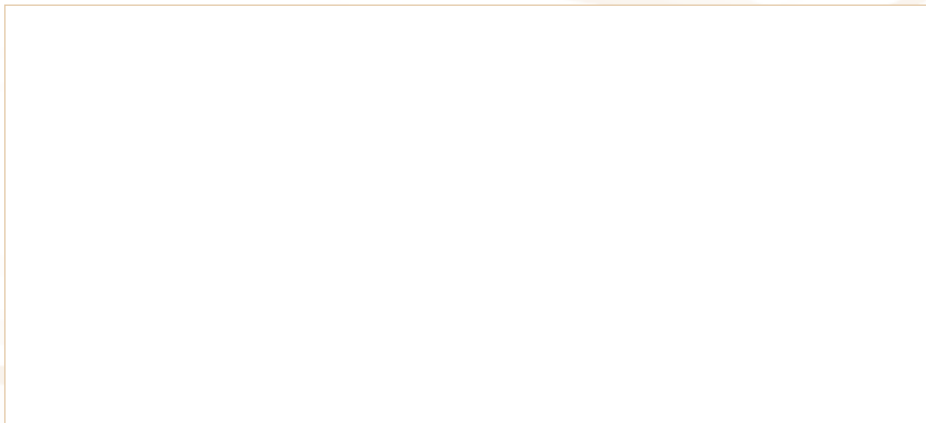
| | | |
|----------|--------------------------|-----------------------------|
| A | Total width | 584 |
| B | | 467 |
| C | Folding seat width | 320 |
| D | | 295 |
| E | | 1017 (902 + K) |
| F | | 74 |
| G | When not swivelled | 34 |
| H | Seat depth | 408 |
| I | | 400 |
| J | | 471.5 (without upholstery) |
| K | | 115 |
| L | | 380 |
| M | | 598 |
| N | | 632 (M + G) (swivelled 680) |



HomeGlide



new
HomeGlide
Extra



Unit E3, Eagle Court, De Havilland Avenue, Preston Farm Business Park, Stockton-on-Tees TS18 3TB England
www.accessbdd.com email: info@accessbdd.com Tel: 01642 853 650 Fax: 01642 853 699

All information in this leaflet is correct at the time of printing, but our policy is one of continuous product development. We reserve the right to change specification without notice.