



Ontor Limited  
12 Leswyn Road,  
Toronto, On M6A 1K3  
Tel: (416) 781-5286 Fax: (416) 781-7680  
www.ontor.com

MONTREAL  
Tel.: (514) 733-3375  
Fax: (514) 733-3442

WINNIPEG  
Tel.: (204) 293-9579  
Fax: (204) 257-8941

HALIFAX  
Tel.: (902) 443-7750  
Fax: (902) 443-7885

EDMONTON  
Tel.: (780) 999-4646

VANCOUVER  
Tel.: (604) 466-2822  
Fax: (604) 466-2842

ver 0112



## GOVERNOR DUAL CUT

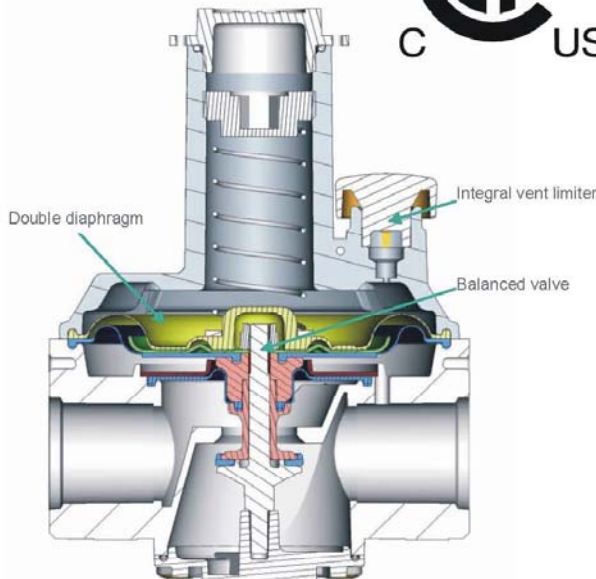


### FEATURES

- CSA Certified to ANSI Z21.80A2005
- CSA 6.22a-2005 Class I & Class II for outlet pressures up to 1 PSIG
- Integral Vent Limiter – no vent line required†
- Positive dead-end Lockup
- Inlet and Outlet test ports
- 500 to 1 Turndown
- Worker monitor configuration monitor is set at 70% greater than the worker

### SPECIFICATIONS

- Suitable for use with Natural Gas, LPG, and any non corrosive clean gas
- Inlet pressure: 7" W.C. to 5 PSIG
- Outlet pressure: 4" W.C. to 1 PSIG
- Temperature range: -40°F to 150°F
- Connections: ½" thru 2"
- Maximum Emergency Inlet Exposure Pressure: 80PSIG
- Suitable for Indoor or Outdoor Installation



### INSTALLATION ADVANTAGES

- Unique design eliminates the need for vent piping when performing indoor installations†
- Allows for higher capacities without costly vent lines (Vent Limiters thru 4")
- Mounts in any position
- Reduces your cost by using smaller sizes due to our high capacities and large turndown
- No individual vs. total load restrictions
- Epoxy coating for outdoor installation



www.ontor.com

Distributed by  
Tel: (416) 781-5286

**GOVERNORS CAPACITY TABLE Model's 30051-30052-30053**  
**TABLEAU DE DÉBITS DES RÉGULATEURS Modèles 30051 30052 30053**



Maximum Emergency Pressure 14 psig  
 Maximum Inlet Pressure 7 psig  
 Temperature Range -40°F + 140°F  
 Vent Connection 1/4" NPT

PRESSION MAXIMUM D'URGENCE 14 lb/po2  
 PRESSION MAXIMUM D'ASPIRATION 7 lb/po2  
 PLAGE DE TEMPÉRATURE -40 °F + 140 °F (-30 à 60 °C)  
 RACCORD D'ÉVENT 1/4" NPT

ANSI Z21.80A-2005 · CSA 6.22a-2005

ver 0112

\* Yellow Color indicates CSA Certified Line Pressure Flow Capacities @ 20" W.C drop \*

\* La couleur jaune indique des débits de canalisation sous pression certifiés CSA @ 20" de colonne d'eau (CE) de chute de pression\*

Capacities in SCFH \* For 30051/30052/30053 compact models, MAX OUTLET PRESSURE = 2,18 psig

Débits en pi³/h \* Pour les modèles compacts 30051/30052/30053, PRESSION MAX. DE SORTIE = 2,18 lb/po manométrique

**SMALL CAPACITY MODEL      MODELES A FAIBLES DEBITS**

Model # Modèle n°	Outlet Pressure Pression de sortie	Operating Inlet Pressure			Pression d'utilisation effective		
		1/2 psi 1/2 lb/po <sup>2</sup>	3/4 psi 3/4 lb/po <sup>2</sup>	1 psi 1 lb/po <sup>2</sup>	2 psi 2 lb/po <sup>2</sup>	5 psi 5 lb/po <sup>2</sup>	7 psi 7 lb/po <sup>2</sup>
30051 30051DC 1/2" compact	4" w.c./CE	466	610	716	924	924	924
	7" w.c./CE	386	553	* 635 *	928	928	928
	7" w.c./CE	386	553	* 635 *	928	928	928
	10" w.c./CE	297	496	628	928	928	928
	14" w.c./CE		366	558	936	936	936
	1 PSIG				853	952	952
	2 PSIG				988	988	

Model # Modèle n°	Outlet Pressure Pression de sortie	Operating Inlet Pressure			Pression d'utilisation effective		
		1/2 psi 1/2 lb/po <sup>2</sup>	3/4 psi 3/4 lb/po <sup>2</sup>	1 psi 1 lb/po <sup>2</sup>	2 psi 2 lb/po <sup>2</sup>	5 psi 5 lb/po <sup>2</sup>	7 psi 7 lb/po <sup>2</sup>
30052 30052DC 3/4" compact	4" w.c./CE	466	762	898	1,155	1,155	1,155
	7" w.c./CE	386	691	* 848 *	1,155	1,155	1,155
	7" w.c./CE	386	691	* 848 *	1,155	1,155	1,155
	10" w.c./CE	297	621	778	1,155	1,155	1,155
	14" w.c./CE		450	698	1,170	1,170	1,170
	1 PSIG				1,066	1,190	1,190
	2 PSIG				1,235	1,235	

Model # Modèle n°	Outlet Pressure Pression de sortie	Operating Inlet Pressure			Pression d'utilisation effective		
		1/2 psi 1/2 lb/po <sup>2</sup>	3/4 psi 3/4 lb/po <sup>2</sup>	1 psi 1 lb/po <sup>2</sup>	2 psi 2 lb/po <sup>2</sup>	5 psi 5 lb/po <sup>2</sup>	7 psi 7 lb/po <sup>2</sup>
30053 30053DC 1" compact	4" w.c./CE	466	991	1,168	1,501	1,501	1,501
	7" w.c./CE	386	899	* 1,059 *	1,501	1,501	1,501
	7" w.c./CE	386	899	* 1,059 *	1,501	1,501	1,501
	10" w.c./CE	297	807	1,093	1,501	1,501	1,501
	14" w.c./CE		595	906	1,521	1,521	1,521
	1 PSIG				1,386	1,547	1,547
	2 PSIG				1,605	1,605	

SPRING CHART COLOR CODE

CODE DE COULEUR DES RESSORTS

2" TO 5" W.C.
4" TO 11.8" W.C.
6" TO 14" W.C.
9.8" TO 27.5" W.C.
23.6" TO 59" W.C OR .85 TO 2.12 PSIG

\* Yellow Color indicates CSA Certified Line Pressure Flow Capacities @ 20" W.C drop \*

\* La couleur jaune indique des débits de canalisation sous pression certifiés CSA @ 20" de colonne d'eau (CE) de chute de pression\*

### CAPACITIES IN SCFH - HIGH CAPACITY MODEL Modèles à hauts débits

Model #	Outlet Pressure	Operating Inlet Pressure			Pression d'utilisation effective		
		1/2 psi	3/4 psi	1 psi	2 psi	5 psi	7 psi
Modèle n°	Pression de sortie	1/2 lb/po <sup>2</sup>	3/4 lb/po <sup>2</sup>	1 lb/po <sup>2</sup>	2 lb/po <sup>2</sup>	5 lb/po <sup>2</sup>	7 lb/po <sup>2</sup>
30150 30150DC 1/2"	4" w.c./CE	1,086	1,433	1,695	2,196	2,196	2,196
	7" w.c./CE	891	1,296	* 1,695 *	2,205	2,205	2,205
	7" w.c./CE	891	1,296	* 1,695 *	2,205	2,205	2,205
	10" w.c./CE	656	1,152	1,471	2,213	2,213	2,213
	14" w.c./CE		870	1,325	2,223	2,223	2,223
	1 PSIG				2,026	2,261	2,261
	2 PSIG					2,346	2,346
	3 PSIG					2,400	2,400
4 PSIG					1,775	2,500	
Modèle n°	Pression	1/2 lb/po <sup>2</sup>	3/4 lb/po <sup>2</sup>	1 lb/po <sup>2</sup>	2 lb/po <sup>2</sup>	5 lb/po <sup>2</sup>	7 lb/po <sup>2</sup>
30151 30151DC 3/4"	4" w.c./CE	1,372	1,810	2,140	2,774	2,774	2,774
	7" w.c./CE.	1,125	1,637	* 2,084 *	2,785	2,785	2,785
	7" w.c./CE	1,125	1,637	* 2,084 *	2,785	2,785	2,785
	10" w.c./CE	829	1,455	1,858	2,796	2,796	2,796
	14" w.c./CE		2,000	1,674	2,808	2,808	2,808
	1 PSIG				2,560	2,857	2,857
	2 PSIG					2,963	2,963
	3 PSIG					3,030	3,030
4 PSIG					2,241	3,150	
Modèle n°	Pression	1/2 lb/po <sup>2</sup>	3/4 lb/po <sup>2</sup>	1 lb/po <sup>2</sup>	2 lb/po <sup>2</sup>	5 lb/po <sup>2</sup>	7 lb/po <sup>2</sup>
30152 30152DC 1"	4" w.c./CE	1,629	2,149	2,542	3,294	3,294	3,294
	7" w.c./CE	1,337	1,944	* 2,437 *	3,308	3,308	3,308
	7" w.c./CE	1,337	1,944	* 2,437 *	3,308	3,308	3,308
	10" w.c./CE	985	1,727	2,206	3,320	3,320	3,320
	14" w.c./CE		1,305	1,988	3,335	3,335	3,335
	1 PSIG				3,040	3,392	3,392
	2 PSIG					3,520	3,520
	3 PSIG					3,600	3,600
4 PSIG					2,661	3,750	
Modèle n°	Pression	1/2 lb/po <sup>2</sup>	3/4 lb/po <sup>2</sup>	1 lb/po <sup>2</sup>	2 lb/po <sup>2</sup>	5 lb/po <sup>2</sup>	7 lb/po <sup>2</sup>
30153 30153DC 1-1/4"	4" w.c./CE	3,886	5,128	6,065	7,860	7,860	7,860
	7" w.c./CE	3,189	4,638	* 5,297 *	7,891	7,891	7,891
	7" w.c./CE	3,189	4,638	* 5,297 *	7,891	7,891	7,891
	10" w.c./CE	2,349	4,121	5,264	7,921	7,921	7,921
	14" w.c./CE		3,114	4,743	7,957	7,957	7,957
	1 PSIG				7,254	8,093	8,093
	2 PSIG					8,400	8,400
	3 PSIG					8,380	8,380
4 PSIG					6,350	8,940	

\* Yellow Color indicates CSA Certified Line Pressure Flow Capacities @ 20" W.C drop \*

\* La couleur jaune indique des débits de canalisation sous pression certifiés CSA @ 20" de colonne d'eau (CE) de chute de pression\*

### CAPACITIES IN SCFH - HIGH CAPACITY MODEL Modèles à hauts débits

Model # Modèle n°	Outlet Pressure	Operating Inlet Pressure			Pression d'utilisation effective		
		1/2 psi	3/4 psi	1 psi	2 psi	5 psi	7 psi
	Pression	1/2 lb/po <sup>2</sup>	3/4 lb/po <sup>2</sup>	1 lb/po <sup>2</sup>	2 lb/po <sup>2</sup>	5 lb/po <sup>2</sup>	7 lb/po <sup>2</sup>
	de sortie						
30154 30154DC 1-1/2"	4" w.c./CE	4,058	5,354	6,333	8,206	8,206	8,206
	7" w.c./CE	3,330	4,842	* 5,650 *	8,240	8,240	8,240
	7" w.c./CE	3,330	4,842	* 5,650 *	8,240	8,240	8,240
	10" w.c./CE	2,453	4,303	5,496	8,270	8,270	8,270
	14" w.c./CE		3,251	4,952	8,308	8,308	8,308
	1 PSIG				7,574	8,450	8,450
	2 PSIG					8,770	8,770
	3 PSIG					8,960	8,960
	4 PSIG					6,630	9,330
Model # Modèle n°	Outlet Pressure	Operating Inlet Pressure			Pression d'utilisation effective		
		1/2 psi	3/4 psi	1 psi	2 psi	5 psi	7 psi
	4" w.c./CE	7,430	9,804	11,595	15,026	15,026	15,026
30155 30155DC 2"	7" w.c./CE	6,097	8,866	* 10,947 *	15,087	15,087	15,087
	7" w.c./CE	6,097	8,866	* 10,947 *	15,087	15,087	15,087
	10" w.c./CE	4,491	7,878	10,064	15,143	15,143	15,143
	14" w.c./CE		5,953	9,068	15,213	15,213	15,213
	1 PSIG				13,868	15,473	15,473
	2 PSIG					16,050	16,050
	3 PSIG					16,400	16,400
	4 PSIG					12,140	17,085
Model # Modèle n°	Outlet Pressure	Operating Inlet Pressure			Pression d'utilisation effective		
		1/2 psi	3/4 psi	1 psi	2 psi	5 psi	7 psi
	4" w.c./CE	11,654	14,726	18,010	23,096	23,096	23,096
30157/F 3" Flanged	7" w.c./CE	9,676	13,243	* 16,810 *	23,202	23,202	23,202
	7" w.c./CE	9,676	13,243	* 16,810 *	23,202	23,202	23,202
	10" w.c./CE	7,451	11,165	15,715	23,308	23,308	23,308
	14" w.c./CE		9,158	13,950	23,404	23,404	23,404
	1 PSIG				21,335	23,804	23,804
	2 PSIG					24,700	24,700
	3 PSIG					20,800	20,800
	4 PSIG					18,670	26,290
Model # Modèle n°	Outlet Pressure	Operating Inlet Pressure			Pression d'utilisation effective		
		1/2 psi	3/4 psi	1 psi	2 psi	5 psi	7 psi
	4" w.c./CE	20,482	25,780	31,465	40,435	40,435	40,435
30158/F 4" Flanged	7" w.c./CE	16,951	23,166	* 29452 *	40,612	40,612	40,612
	7" w.c./CE	16,951	23,166	* 29452 *	40,612	40,612	40,612
	10" w.c./CE	13,066	20,553	27,545	40,753	40,753	40,753
	14" w.c./CE		16,027	24,414	41,000	41,000	41,000
	1 PSIG				37,324	41,660	41,660
	2 PSIG					43,220	43,220
	3 PSIG					44,160	44,160
	4 PSIG					32,680	46,000

## GOVERNOR Standard Model



# 2 PSIG



**STANDARD MODEL**  
Inlet Pressure Range: 3" W.C. to 2 PSIG

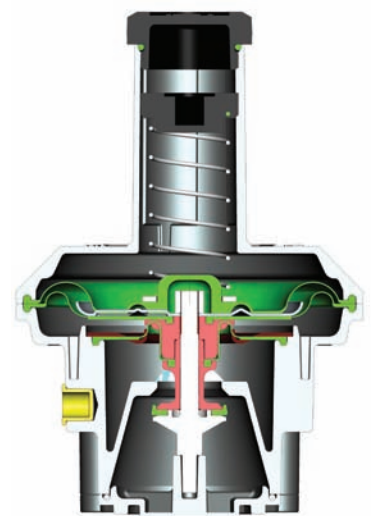
### Main Features

- CSA 6.22a-2005 ANSI Z21.80A2005 Class I for outlet pressures up to 14" W.C. Certified
- Integral Vent Limiter
- External Vent Limiter — no vent line required\*
- Positive dead-end lockup
- Inlet and Outlet test ports
- 500 to 1 Turndown
- Minimum  $\Delta P$  - 1" W.C.

### Specifications

- Suitable for use with Natural Gas, LPG, and any non corrosive clean gas
- Inlet pressure: 3" W.C. to 2 PSIG
- Outlet pressure: 2" W.C. to 14" W.C.
- Temperature range: -40F to 150F
- Connections: 1/2" thru 4"
- Maximum Emergency Inlet Exposure Pressure: 80 PSIG
- Suitable for Indoor or Outdoor Installation

\*As Approved by Local Codes and Standards



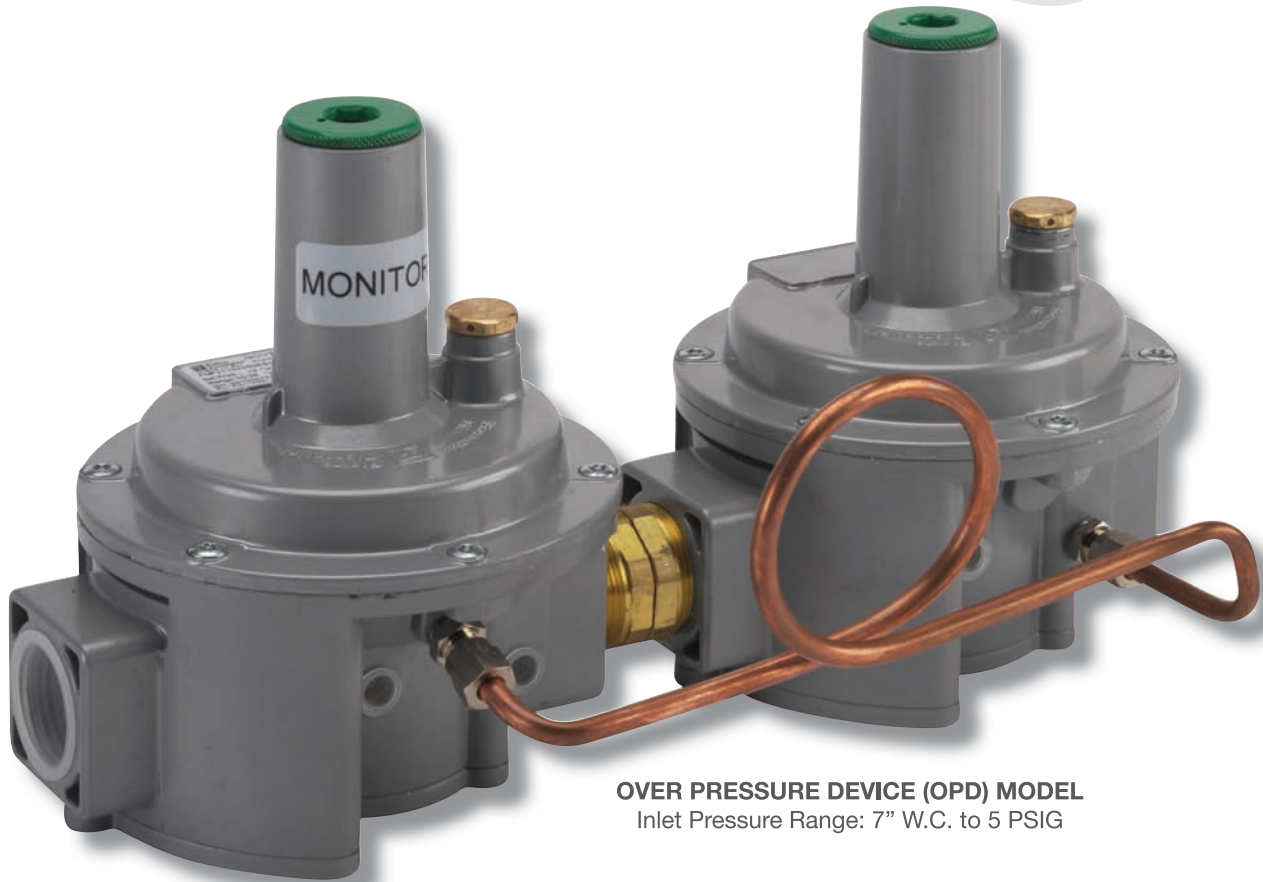
### Standard Outlet Spring Range

- Green 2" W.C. to 5.1" W.C.
- Red 2.75" W.C. to 7.87" W.C.
- White 4" W.C. to 11.8" W.C.
- Black 6" W.C. to 14" W.C.

**GOVERNOR**  
**Over Pressure Device (OPD) Model**



5 PSIG



**OVER PRESSURE DEVICE (OPD) MODEL**  
Inlet Pressure Range: 7" W.C. to 5 PSIG

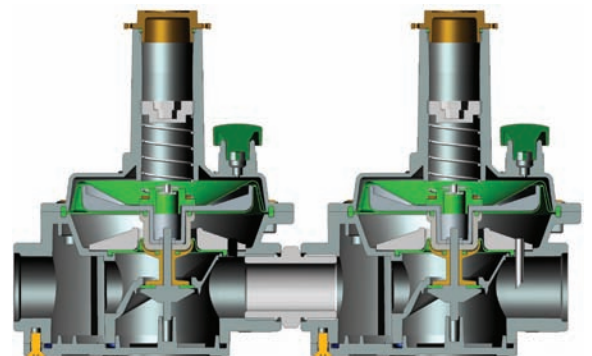
**Main Features**

- CSA Certified to ANSI Z21.80A2005
- CSA 6.22a-2005 Class I for outlet pressures up to 14" W.C.
- CSA 6.22a-2005 Class II for outlet pressures up to 1 PSIG
- Integral Vent Limiter
- External Vent Limiter – no vent line required\*
- Positive dead-end lockup
- Inlet and Outlet test ports
- 500 to 1 Turndown

**Specifications**

- Suitable for use with Natural Gas, LPG, and any non corrosive clean gas
- Inlet pressure: 7" W.C. to 5 PSIG
- Temperature range: -40F to 150F
- Connections: ½" thru 2"
- Maximum Emergency Inlet Exposure Pressure: 80 PSIG
- Suitable for Indoor or Outdoor Installation

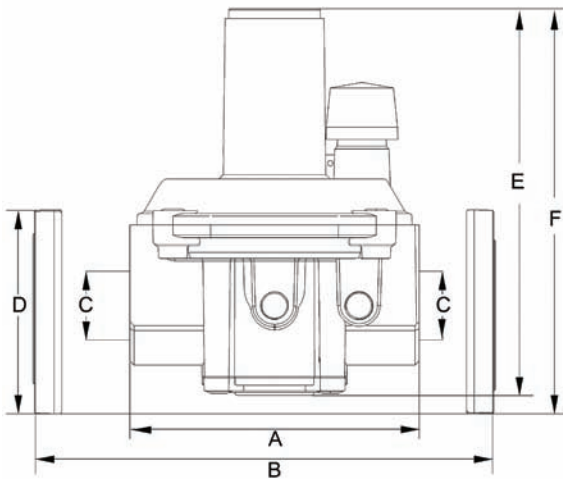
**\*As Approved by Local Codes and Standards**



**OPD Outlet Spring Range**

- Green 2" W.C. to 5.1" W.C.
- Red 2.75" W.C. to 7.87" W.C.
- White 4" W.C. to 11.8" W.C.
- Black 6" W.C. to 14" W.C.
- Yellow 9.8" W.C. to 1 PSIG

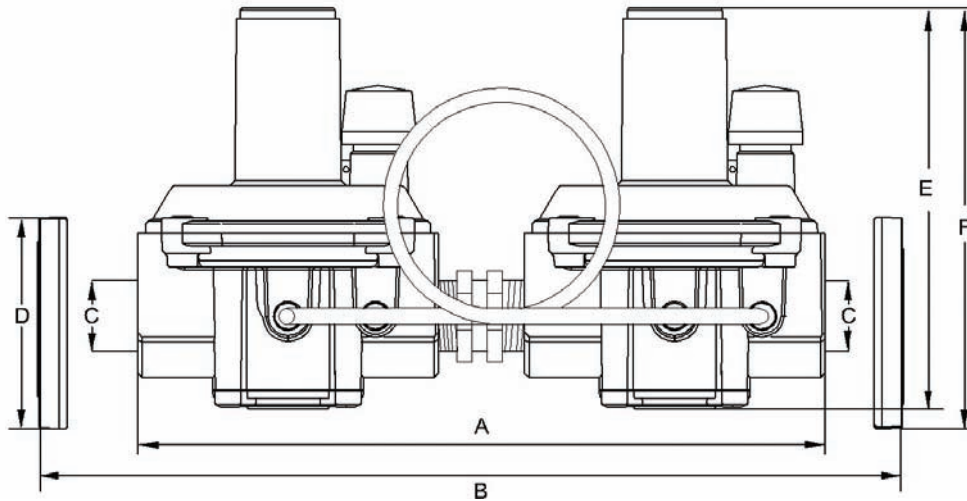
## GOVERNOR Standard Model - Dimension



### DIMENSIONS (IN INCHES)

Model #	Size	A	B	C	D	E	F	Weight (Lbs)
<b>30051</b>	1/2" NPT	4.12 4.45 w/Filter	-	1/2	-	5.59	-	1.54
<b>30052</b>	3/4" NPT	4 4.29 w/Filter	-	3/4	-	5.59	-	1.54
<b>30053</b>	1" NPT	4 4.29 w/Filter	-	1	-	5.59	-	1.54
<b>30150</b>	1/2" NPT	5.43	-	1/2	-	6.89	-	2.75
<b>30151</b>	3/4" NPT	5.28	-	3/4	-	6.89	-	2.75
<b>30152</b>	1" NPT	5.28	-	1	-	6.89	-	2.75
<b>30153</b>	1 1/4" NPT	7.64	-	1 1/4	-	10	-	7.5
<b>30154</b>	1 1/2" NPT	7.64	-	1 1/2	-	10	-	7.5
<b>30155</b>	2" NPT	9.29	-	2	-	12.44	13.74	12.34
<b>30157/F</b>	3" FLANGED	-	16.9	3	ANSI 150	-	17.09	27.56
<b>30158/F</b>	4" FLANGED	-	16.9	4	ANSI 150	-	19.76	27.56

## GOVERNOR Over Pressure Device (OPD) Model - Dimension



### DIMENSIONS (IN INCHES)

Model #	Size	A	B	C	D	E	F	Weight (Lbs)
<b>30051</b>	1/2" NPT	8.86	-	1/2	-	5.59	-	3.25
<b>30052</b>	3/4" NPT	8.86	-	3/4	-	5.59	-	3.25
<b>30053</b>	1" NPT	8.86	-	1	-	5.59	-	3.25
<b>30150</b>	1/2" NPT	11.22	-	1/2	-	6.89	-	5.75
<b>30151</b>	3/4" NPT	11.22	-	3/4	-	6.89	-	5.75
<b>30152</b>	1" NPT	11.22	-	1	-	6.89	-	5.75
<b>30153</b>	1 1/4" NPT	16.61	-	1 1/4	-	10	-	15.5
<b>30154</b>	1 1/2" NPT	16.61	-	1 1/2	-	10	-	15.5
<b>30155</b>	2" NPT	19.88	-	2	-	12.44	13.74	25
<b>30157/F</b>	3" FLANGED	-	33.93	3	ANSI 150	-	17.09	56
<b>30158/F</b>	4" FLANGED	-	33.93	4	ANSI 150	-	19.76	56