



PRODUCT DIRECTORY

Conservatories | Extensions | Aluminium | Outdoor Living

ABOUT US

Prefix Systems was established in 1996 and has grown to be the UK's largest independent conservatory roof fabricators, offering a wide variety of Conservatory roof & glazing solutions to suit almost any application.

Prefix also supply a range of home extension products such as Orangeries and Garden Rooms along with other products including tiled roof solutions, Skylights and Lanterns including Velux and Aluminium bi-folding doors. More recently, we have developed some of our own bespoke products including WARMroof, Opus, CLEARView and Verandah which is part of our new Outdoor Living range. We deliver to any part of mainland UK from our 5 manufacturing sites in Lancashire, Northampton, Swansea, Leeds and now Worthing, West Sussex with the acquisition of Pavilion Systems Ltd.

Prefix Systems are the only independent fabricator in the UK to have BBA approval for manufacture of the Ultraframe conservatory roof, this means when your company orders a conservatory roof from Prefix Systems you can be safe in the knowledge that your conservatory roof has been manufactured to the highest quality standards and using the finest materials. Our mission is simple...

“

To build a business that supplies the highest quality products & services that our customers deserve, our employees are proud to be part of and that our supply partners are happy to be associated with.

”



Nationwide network	04
Manufacturing	05
Customer support	06
Glazed Roofs	07
Ultraframe	08
UrbanRoom	10
Quantal	12
Solid & Tiled Roofs	13
WARMroof	14
WARMroof Hybrid	16
Design Options	18
Tile Options	19
LivinROOF	20
Orangeries	21
iX250	22
LivinRoom	24
Loggia	25
Cornice	26
Skylights and Rooflights	27
UltraSky PVC	28
UltraSky aluminium	29
UltraSky OPUS	30
CLEARview rooflight	27
Velux	32
Doors and Windows	33
Aluminium windows	34
Aluminium doors	35
OPUS	36
RAL Colours	38
Outdoor Living	39
Verandah	40
KÖMMERLING Pergola	42
Ultraframe Veranda	44
Ultraframe Pergola	45
Ecosun Heaters	46
Other Products	47
Conservatory Replacements	48
Prefix Structures	49
Roof Glass	50
Side Frame Glazing	52
Customer Support	53
Marketing	54
Aftercare	55

A NATIONWIDE NETWORK

We offer a true nationwide coverage with our five manufacturing sites in Blackburn Lancashire, Leeds, Northamptonshire, Swansea and West Sussex with the acquisition of Pavilion Systems. Our own delivery fleet can deliver your products direct to your premises or direct to site for added convenience.



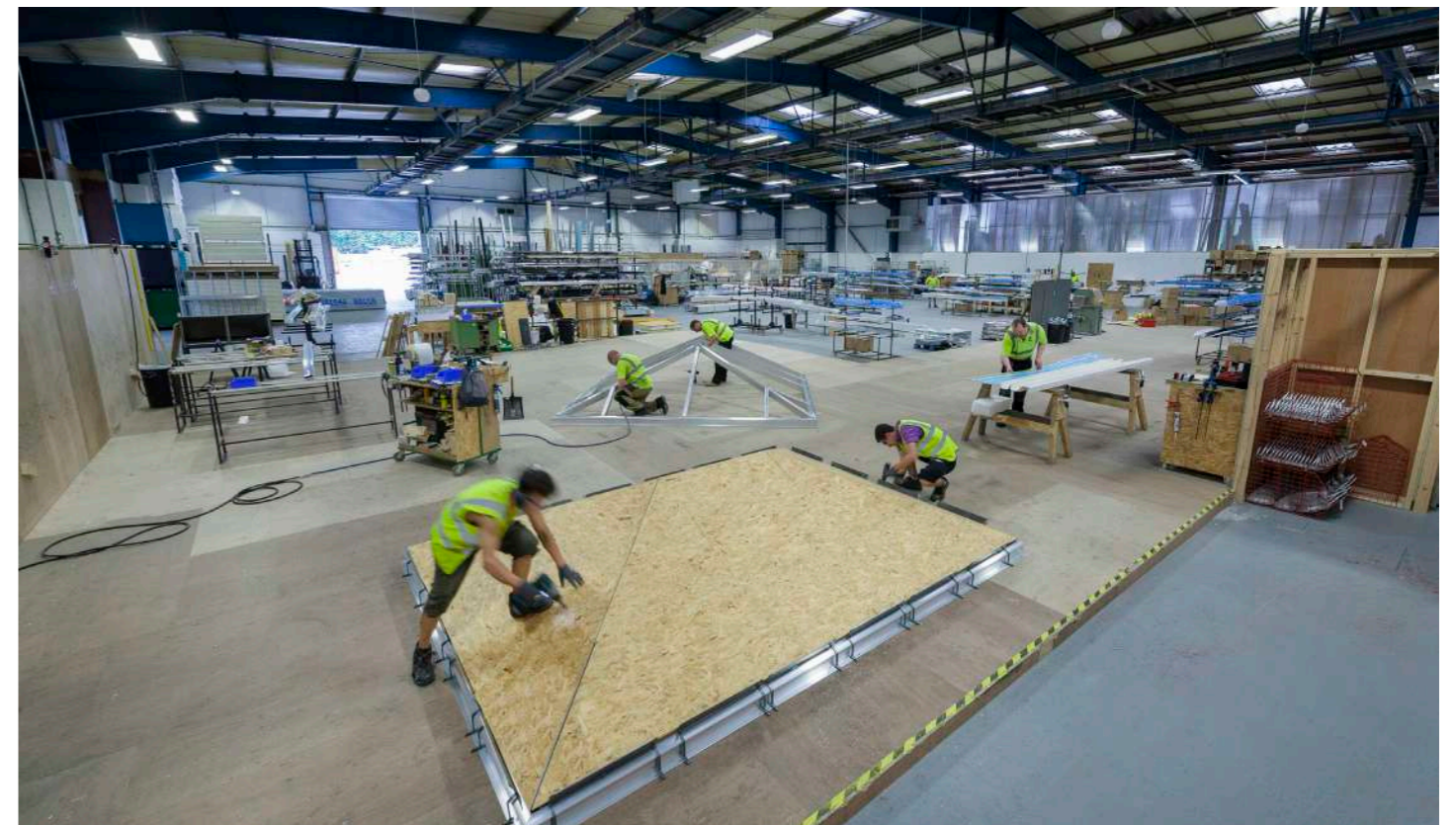
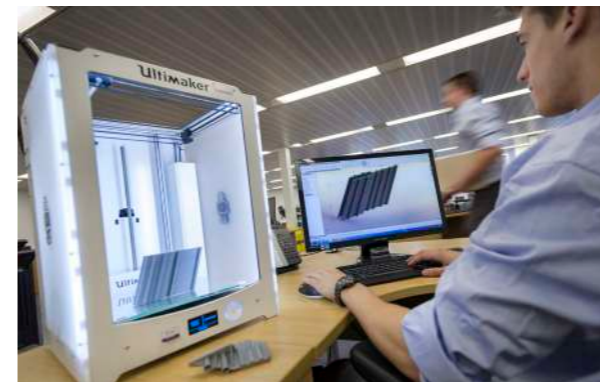
Prefix Systems manufacturing sites across the UK!

MANUFACTURING

A combination of our own in house development and sourcing the finest systems available provide our customers with access to the best home improvement products resulting in numerous design options.

Our design engineers and manufacturing craftsmen ensure that all our products are built to your exact requirements and with our quality 600 trade customers have come to expect. In fact, we remain the only conservatory roof manufacturer with BBA certification for manufacture of the Ultraframe roof system.

Our industry knowledge & expertise means we can support and offer advice to our trade customers on the most technically innovative construction methods for building conservatories and home extensions. Lead times on all our products are tailored to suit individual customer requirements so if your business requires a quick turnaround, Prefix can provide a solution to meet your needs. You can be confident that our fabrication network has the scale and flexibility to cope wherever in the UK your business operates.



CUSTOMER SUPPORT & ON-SITE ASSISTANCE

There are few companies in our industry that can boast the depth of support that Prefix Systems can offer. Our business has been built on exceptional levels of customer service from enquiry right through to delivery. We have a dedicated support team on hand to offer assistance from friendly advice on what works well from the simplest to the most complex structures, to software and services that can help you with design and sales. We also provide our customers with aftersales care meaning that our dedication to supporting our customers doesn't end on delivery.

We are proud to offer on-site assistance for first builds nationwide. This includes help with initial survey through to installation assistance and on-site training. We are also keen to help train surveyors and sales staff about our new products including the WARMroof and Verandah and can offer in house training on request.



Find out more about our customer support on page 53.



GLAZED ROOFS

Conservatories | Home Extensions | Aluminium | Glass

Classic Roof // Edwardian Conservatory



CLASSIC ROOF

Our business was built with conservatory roof fabrication at its heart and today is still at the very core of our business, not just in terms of manufacturing excellence, but also in technical expertise and on-site support. We've been an Ultraframe fabricator since we started the business over 20 years ago and fabricate the industry's leading conservatory roof system, the Classic roof. We offer the largest colour range of any fabricator in the UK so you have the flexibility to tailor the design to your requirements.

The classic roof is available in either traditional PVC or Aluminium with a wide range of glass options to choose from too. When designing a conservatory, choosing the right specification of roof & glass is crucial to controlling enjoyment and comfort of the consumer. To enable a conservatory to be used all year round, a glazing material must deflect heat from the sun in summer and retain the warmth from heating appliances in winter. Polycarbonate roof glazing is a lower cost alternative and also available from Prefix.

See page 38 for colour options available.

ultraframe
Transforming light and space

URBAN ROOM

Thanks to its contemporary deep gutter shroud, internal pelmet, glazed aluminium roof and ultra modern, sleek aluminium windows and doors, the UrbanRoom is the ultimate modern take on the traditional conservatory.

With a typical rectangular footprint, the UrbanRoom genre often boasts aluminium frames, bi-folding or sliding patio doors and a roof that is glazed with high performance, solar controlled glass with the imposing design-led detail in the form of the UrbanRoom gutter shroud. This is available as a complete kit in terms of frames, roof and glass and roof directly and exclusively from Prefix Systems or as a roof only solution.

With the option of aluminium throughout, we can also open up the opportunities for new colours or even two-tone options. With corner detail of colour render or Loggia posts along with the matching UrbanRoom shroud, we can compliment this with the roof, bi-folding doors and windows in any colour finish. Modern living space design has never looked so good and it's important that we all look to open up the new opportunities in this emerging market segment.

“ The UrbanRoom range will help redefine the way in which consumers experience modern day living and as a complete kit from Prefix Systems. **Modern living space design has never looked so good.** ”



A CLASSIC ALTERNATIVE

We can also offer Quantal's roof system which is quality through and through. It's been cleverly designed to offer all the versatility of bespoke construction, with the practicality needed for easy installation.

It's the only aluminium glazed roof system to have the prestigious BBA Accreditation and each Quantal configuration is designed using U-Design software by our industry experienced design engineers. The aesthetics of the system make the Quantal roof a favourite of architects and specifiers on traditional projects. The structure is manufactured at our factory, making construction as simple as possible and cutting down time on-site.

Quantal is an ideal choice for traditional conservatories with its slender profile offering a more elegant look than other materials such as PVC-U and wood. The versatile construction system allows virtually endless design options, while the wide range of finishes and on-trend colours mean your finished conservatory can perfectly complement or contrast with the rest of your home.



QUANTAL
Distinctive Living



SOLID & TILED ROOFS

Garden Rooms | Sun rooms | Home Extensions | Orangeries

A WARMROOF BY NAME & DESIGN.

The WARMroof from Prefix Systems is the most configurable and structurally robust solid, insulated and tiled roof in the UK market, as many loyal customers would testify.

It's the first off-site constructed 'warm roof' of its kind in the sector that has been designed and engineered in house. This has ensured that it is the most innovative, desirable, aesthetically pleasing and advanced roof system available for home extensions and conservatory renovation projects.

Structural integrity, warm roof construction, design configurability and ease of installation are the four corner stones of the WARMroof system, which has been designed and engineered by us and is available, along with on-site technical support throughout the UK.

Request a FREE copy of the
WARMroof product guide or
consumer brochure
marketing@prefixsystems.co.uk



THE **WARMROOF** HYBRID

The WARMroof Hybrid option is a result of extensive research and in the field testing. The Hybrid offers you the best of both worlds. A stunning insulated, tiled roof giving you energy efficiency and soundproofing with the addition of a glazed panel, providing the room with more light and a sense of space. The glazed panel is a 44mm triple glazed panel and can include Hardwood Timber cladding internally for greater aesthetics.



WARMroof Hybrid // See page 30 for Opus products.



WARMROOF DESIGN OPTIONS

There are a wide range of design options for the WARMroof system, making the most configurable insulated solid, tiled roof in the UK market. Not only are there a number of options for the roof itself, but we can also offer our dedicated, structural Retro-Fix posts for the emerging replacement conservatory roof market.

INTERNAL PELMET

We can create an internal pelmet detail at the eaves, which is pre-cut to size so lighting can be installed around the internal perimeter and not in the slope of the roof. It also offers an alternative design feature to the interior, allowing for blinds to be fitted.

TIMBER TIE STRUT

Instead of using an ineffective tie bar, as seen in other competitor roof systems, we have designed a hardwood feature tie strut to resist any movement, both in tension and compression for larger span applications. This is essential when plastering the inside of the roof to stop cracking as a result of movement. This tie strut also makes for a stylish feature by making use of natural materials.

CORNER OVERHANGS

We can install a Georgian (two front hips) roof onto three bay Victorian frames as our WARMroof is structurally designed and tested to allow the roof to cantilever the eaves section over the facets. This feature also allows for down-lighters to add flare.

INSULATED SOFFIT & FASCIA OVERHANG

An increasing number of installers and consumers are asking for a soffit and fascia detail which can offer a better match to the existing fabric of the house and look more like a traditional single storey extension. Our WARMroof system also offers the industry's first insulated eaves section, which eliminates condensation and makes for the ultimate in 'warm roof' construction. It is also available in a variety of soffit depths.

WARMROOF TILE OPTIONS

We can offer a wide range of tile and slate finishes. The WARMroof system is even structurally tested to take concrete, clay and slate. The Envirotile is the most popular choice. It is made of recycled PVC, is easy to cut and work with and is robust enough for fitters to walk on it during the installation process. Both the Envirotile and Tapco options are also BBA certified and there is no need for additional battens as part of the installation due to our WARMroof construction.

ENVIRO TILE COLOURS



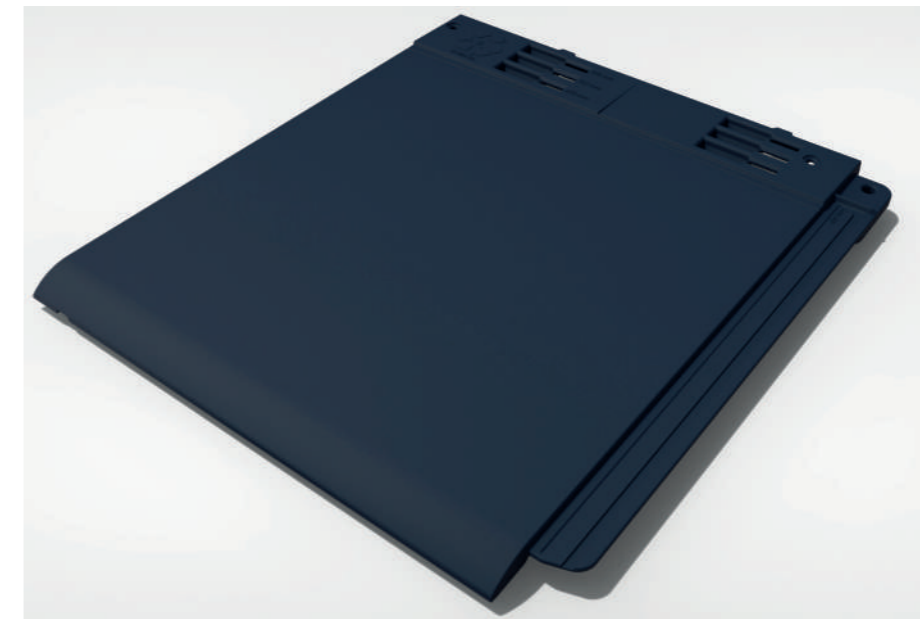
Pewter Grey



Terracotta



Chestnut Brown



Stone Black ▲



TAPCO SLATE



Stone Black

Steel Grey

Plum

Chestnut

Red Rock

Brick Red

LIVINROOF

This roofing system is designed to give you the flexibility to combine panel and glazed roofing seamlessly. It helps you extend your living space and enhance thermal performance over a polycarbonate roof to give you a room that you can use all year

round. The LivinROOF roofing system is constructed from insulated composite external panels and Kingspan slab insulation, which are strong and robust yet extremely thermally efficient. Ideal for simple conservatory roof replacements.



LivinROOF installation



ORANGERIES

Home Extensions | Sun rooms | Glazed Roofs | Extended Living

iX250 ORANGERY

iX250 is an offsite constructed Orangery roof system. This bespoke aluminium deck system is structurally proven and specifically designed to support a glazed lantern within a flat roof area. It is prefabricated and delivered directly to site to guarantee a super fast build.

A typical build consisting of corner and ladder sections mean that it will only take on average 3-4 hours to erect the aluminium sections using a genie lift with two installers, saving a significant amount of time opposed to traditional building methods. It is a WARMroof construction achieving a U value of 0.18W/m²k, providing the room with thermal efficiency and it's also building control compliant.

Features:

- WARMroof construction achieving a U value of 0.18W/m²k
- Building control compliant
- Structurally proven
- Easily erected with two installers
- Manageable sections
- Pre-cut insulation and exterior decking boards
- Ornate fascia and gutter solution in any RAL colour finish
- Cut outs fabricated around soil stacks and chimney breasts



LIVINROOM INTERNAL PELMET

A LivinRoom Pelmet is truly configurable and can be used in a range of shapes from Victorian, Georgian, Lean-to and Gables, whilst also able to accommodate complex box gutters so there are no limits to the design you can have. Down lighters and speakers can be built into the perimeter roof with a further option to install the Cornice or UrbanRoom aluminium gutter shroud which adds to the overall external visual effect of the LivinRoom Psuedo Orangery.

A LivinRoom Psuedo Orangery creates the best of both worlds. It combines the light and feel a conservatory with aesthetics of a traditional Orangery but at a fraction of the cost. It combines our Classic Conservatory roof technology and a well engineered internal framework, which is easy and quick to install.



LOGGIA

Loggia provides an alternative way to build corner posts or brick piers, creating beautiful, comfortable rooms all year round that add value to your home and everyday living.

Alongside LivinRoom, Cornice or UrbanRoom shroud, Loggia provides the look and feel of a traditional Orangery with superior thermal performance.

The Loggia replaces masonry columns with super insulated columns, up to five times more thermally efficient than brick. It can incorporate the LivinRoom perimeter ceiling, which can help enhance the thermal properties of the Loggia, looks elegant inside. This gives you the striking Orangery design but with significantly less cost than a traditional method of a Traditional orangery construction.



Ultraframe Loggia // Available in 3 styles

CORNICE

Along with other innovations to the Classic Roof, our purpose is to offer alternative or upgraded aesthetics to the standard roof. The Cornice can be used on standard conservatory eaves beams and is assembled in three sections to add a further degree of elegance to the classic roof. Cornice shrouds the existing

classic gutter, in effect hiding the glazing bars to provide smooth clean lines at the eaves interface. Naturally, you can specify Cornice on all Classic roofs but you can also retro fit it to existing roofs, providing a further opportunity, if you require. UrbanRoom offers a meer contemporary solution, see page 10.



Aluminium Cornice // Available up to 6m in length



LANTERNS & ROOF-LIGHTS

Home Extensions | Conservatories | Orangeries | Lanterns

ULTRASKY PVC

The ultraSky lantern is the perfect solution for a new build traditional Orangery, extension or it can be inserted into an existing flat roof to help give you the feeling of light and space. The ultraSky reduces the need for a chunky roof ridge and maximises the amount of glass that allows light to flood into the home. The ultraSky lantern is available in

a wide range of rectangular sizes up to 4m x 6m. We also have a wide range of glazing options available including highly efficient thermal glass and self cleaning option (see page 50 for the full range of glass options available.) The ultraSky PVC option is available in stylish white which matches the majority of modern window frames and doors.



ultraSky PVC // See page 30 for Opus option

ULTRASKY ALUMINIUM

If you're looking for something a little more elegant or are happy to invest a little more into the ultraSky, choose the aluminium option which is available in 3 colour options; white, anthracite grey or satin black. Although aluminium is a little

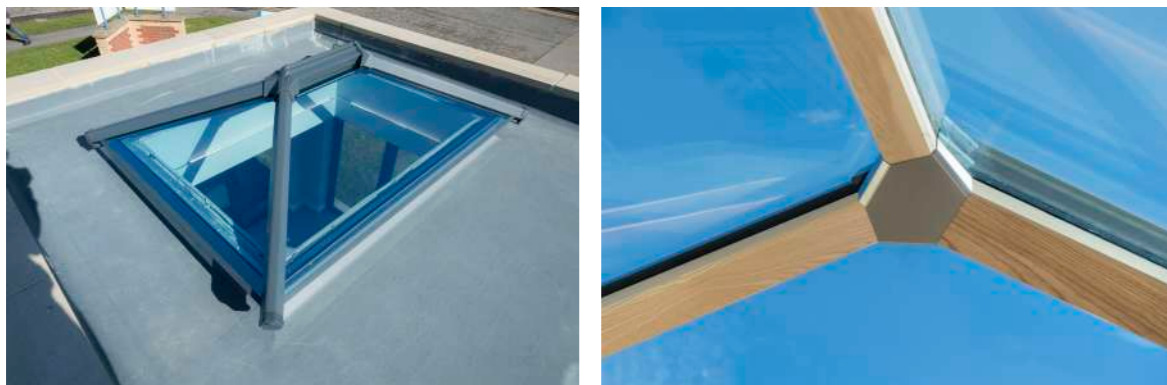
more expensive than PVC, it's a much more durable material and is longer lasting as it doesn't crumble or crack. Choosing Aluminium also allows for our Opus finish. See page 30 for more information about our Opus ultraSky option.



ULTRASKY OPUS

UltraSky is now also available in our Opus Composite system. Opus is the result of bringing together two distinct materials: durable aluminium and rich hardwood timber to offer consumers, specifiers and architects the best attributes of each material.

The external is available in Black, Grey or White aluminium with different hardwood finishes available for the inside. Opus is truly an example of cutting edge aluminium and rich timber in perfect harmony. Read about Opus on page 36.



Opus UltraSky // Aluminium and Timber

CLEARVIEW ROOFLIGHT

The Clearview rooflight is a fixed rooflight system providing maximum daylight with minimal framework. It is the ideal way to let light in through a traditional flatroof or it can be easily incorporated in an Orangery to create a modern, contemporary look. It has a slim sightline design with a fully insulated frame and 44mm triple glazed, self cleaning glass as standard.

The unique drainage solution allows water to freely flow off the glass unlike any other skylight and it comes with superior thermal performance with a 'u' value as low as 0.6 w/m²k. The Clearview rooflight system is quick and easy to install and can be supplied in any RAL colour.



CLEARView // Fixed Rooflight System

VELUX

VELUX have been making the world's leading roof windows for over 70 years, which means our customers can choose our products with confidence in both their quality and durability. VELUX are proud to lead the way in roof windows in terms of design, quality and performance and are always looking at ways to make products even better. The VELUX product programme includes the widest range

of roof windows, flat roof solutions, sun tunnels, blinds and shutters. In partnership with VELUX, we can provide solutions to fit all needs and demands for better living through natural daylight. The vast range of sizes, options and finishes are designed to increase light and effective natural ventilation resulting in bright, fresh interiors.



ALUMINIUM & OPUS WINDOWS

Windows | Doors | Bi-folds | Sliders

ALUMINIUM WINDOWS

We supply an extensive range of aluminium windows by Smart Systems Ltd. These windows have been designed to reduce heat loss by the use of a thermally broken aluminium frame with a polyamide bridge. The polyamide material has a very high resistance to heat transfer from the inner face of a frame to the external face of a frame. The thermally broken frame provides homeowners with distinct

advantages including strength and durability, warmth & comfort contributing to a reduction in the cost of heating bills and elegant slim sightlines. Elegant, yet strong and durable, Alitherm windows enhance the beauty of any home, keep in the warmth and allow more light in due to the slim sightlines. Peace of mind is also ensured by the enhanced security provided by a multi-lock point system.

Our Aluminium windows are available in an extensive and varied range of colours and finish options which provide inspiration for all types of properties. **See page 38.**



Aluminium Windows // Brochures available

ALUMINIUM DOORS

We offer Smart Systems Aluminium doors both bi-folding 'Visofold' and sliding 'Visoglide.' These Aluminium doors are beautifully designed, versatile doors, suitable for any room in any home. They can be installed in conservatories,

Orangeries and on a WARMroof project. The aluminium profiles are designed to give strength and durability to ensure a structurally sound product that requires minimal maintenance and delivers reliable performance over a lifetime of use.

VISOFOLD

Visofold doors open effortlessly, gliding on stainless steel rollers, allowing unrestricted thoroughfares and the maximum use of space and light. The sliding sashes have the option of folding back internally or externally with a wide range of sash configurations. For ease of access you do not have to open the doors 100%, they can be open in the centre like French doors or from the side like an entrance door.

VISOGLIDE

Visoglide doors add eye-catching impact to the exterior of your home. Special sliding mechanisms enable even the largest sashes to slide open and close smoothly, whatever their size. When closed, these large sliding doors form a thermally efficient glass facade, a wonderful way to flood a space with light and enjoy beautiful views of the outdoors from the warmth and comfort of your home.



Aluminium Doors // Brochures available

OPUS

WINDOWS & DOORS

Opus is the result of our work to bring together two distinct building materials; durable aluminium and rich hardwood timber to offer the best attributes of each material. The longevity of aluminium is unrivalled as an exterior material, whilst the richness and beauty of hardwood timber is used internally. With literally hundreds of RAL colours externally to choose from along with different hardwood finishes to the inside, we can design, manufacture and install windows and doors that are as individual as your home.

Opus is available in a wide range of door styles including single residential, double (French) and the latest bi-folding doors. Opus is also an option for roof lanterns (see page 30) and Orangeries (see page 24) and as part of the WARMroof Hybrid option (page 16.)



Aluminium and Hardwood Timber // The Perfect Harmony



RAL COLOURS & FINISHES

There is an extensive and varied range of colour and finish options available that provide inspiration for all types of properties. We have the perfect colour and finish to suit every project in any location. (When choosing your paint colour, ask for a sample chart to be sent to you.) This is a very important stage in making completely sure the tone and shade are exactly what you want. Once you receive your chart, you can then accurately assess the texture, lustre and finish before making your final decision. Smart Systems have a wide range of inspiring colours with durable scratch resistant coatings. They are highly resistant to corrosion and there's a choice of textured or non textured ranges to choose from.

Sensations

Exclusive range of metallic finishes that combine with a unique tactile finish. Ideal for modern or restoration projects.

Cotswold

The classic shades and warm tones in this range have been developed perfectly for both new build and heritage properties alike.

Naturals

These beautiful colour rich coatings in a variety of versatile shades, this range offers style and protection for all your windows.

Alchemy

Introducing an innovative new range of anodised effect colours that have protective qualities of high quality powder coated finish.

*



Chestnut Brown SEN024 Silver Grey SEN017 Diamond Grey SEN026



Platinum Grey SEN016 Desert Grey SEN017 Antique Grey SEN026



Vulcan Black SEN014 Obsidian Black SEN013 Provence Green SEN010



Burford White CWD001 Bilbury Stream CWD003 Bath Stone CWD004



Fairford Tile CWD006 Slad Stone CWD015 Bourbon Cream CWD002



Cheltenham Stone CWD005 Painswick Grey CWD008 Moreton Ground CWD007

*Selection only // Full colour guide available



OUTDOOR LIVING

Verandah | Pergola | Domestic | Commercial

PREFIX VERANDAH

Our fully bespoke Verandah solution is part of our Outdoor Living range and can be used to create a stunning, contemporary patio area allowing homeowners to enjoy their garden all year round ideal for family entertaining, relaxing and dining.

It can also be used on driveways as a car port or anywhere else outside where the homeowner needs protection from outdoor elements.

The Verandah comes with double glazed glass units as standard providing shading from the sun's UV. Available in black or white as standard, with other bespoke colour options available upon request, the Verandah is a must have product allowing homeowners to enjoy their garden all year round.



Verandah // Outdoor Living from Prefix



KÖMMERLING PERGOLA

The KÖMMERLING PERGOLA is a visual highlight in every garden and on every terrace. Thanks to its intelligent roof design and aluminium construction, this Pergola presents a stable, appealing oasis of peace in every environment. Its concealed drainage, corrosion resistance, and easy-care powder finished surface make it a refined, high quality eye catcher. The adjustable roof slats provide the ideal protection against sun and rain. Light and shade can therefore be regulated quite easily to personal preferences. Yet not only the slats can be adjusted specifically to the light conditions, 16 different models and 300 colour variants leave scarcely any wish unfulfilled, providing versatility to cater all individual tastes.

Additional shading can be added in the form of electric roller blinds on open elevations and glass curtains provide additional protection from the weather. Due to the flexibility of this product, the Pergola is equally suitable for both domestic and commercial applications.

Lux Intergral



Stratus



KÖMMERLING PERGOLA // Available in a variety of styles



Lux Multi-Modul

VERANDA

As part of our ever-expanding range of solutions for extended and outdoor living, Veranda has been introduced as a 'cross-over' conservatory product harnessing several elements of the existing Classic Roof system from Ultraframe. The glazing bars in the roof over-sail and carry the glass with it, creating a roofing canopy where homeowners can sit in the garden yet be protected from the weather outdoors.

Externally, the aluminium powder coated half round beam provides structural support to the over sailing glazing and glazing bars and also acts as an integral gutter. On a warmer day, by using in-line sliders or bi-folding doors, the homeowner then has a much bigger space to enjoy. The Veranda is available in a range of colours.

ultraframe
Transforming light and space



PERGOLA

The Pergola can be used to create a stunning patio for your garden giving you shelter from the outdoors. The fusion of engineering excellence with contemporary design is reinforced by the aluminium posts being part of the immensely robust structure, whilst also fulfilling the function of a rainwater downpipe to drain water away from the house.

The Ultraframe Pergola is a modular sized system glazed with 6mm or 10mm glass which delivers the outdoor feel of the classic Pergola style, whilst protecting you from the rain. It can also be used as a car port on driveways. Its innovative curved beam functions act as an ingenious guttering system, whilst delivering beautiful aesthetics in a structurally superior design. The Pergola is available in nine sizes and two distinctive colours; white or textured grey.

ultraframe
Transforming light and space

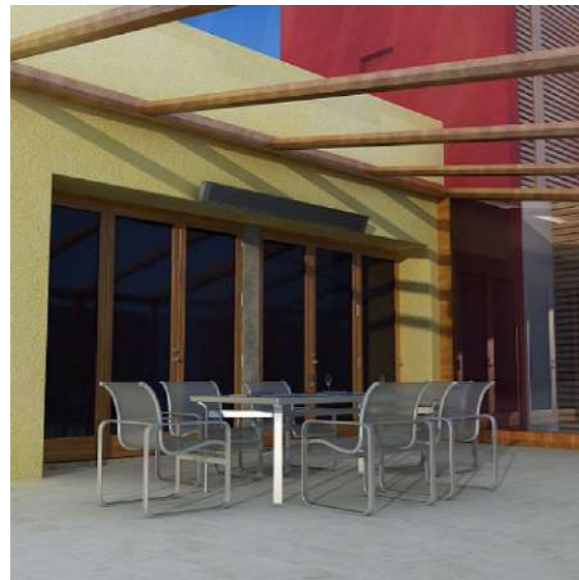


Ultraframe Pergola // Available in 9 sizes

ECOSUN TERRACE HEATERS

Brand new to our outdoor living range, the Ecosun outdoor heaters are designed for the zonal heating of enclosed or semi-enclosed spaces where they are protected against direct contact with the effects of the weather. This makes them ideal for structures such as conservatories, Verandahs, balconies and terraces. These heaters are maintenance free and omit long-wave infrared waves which are absorbed by objects in the room or

space, this then dissipates the energy as heat. Infrared works like the sun's rays, when you step out of the shade into direct sunlight it immediately feels much warmer even though the air temperature is practically the same. Infrared heaters heat the structural elements within a room or outside space which store the warmth much more efficiently than gas patio heaters which do little to store warmth and are very costly to run.



Ecosun Heaters // Part of our Outdoor Living range



OTHER PRODUCTS

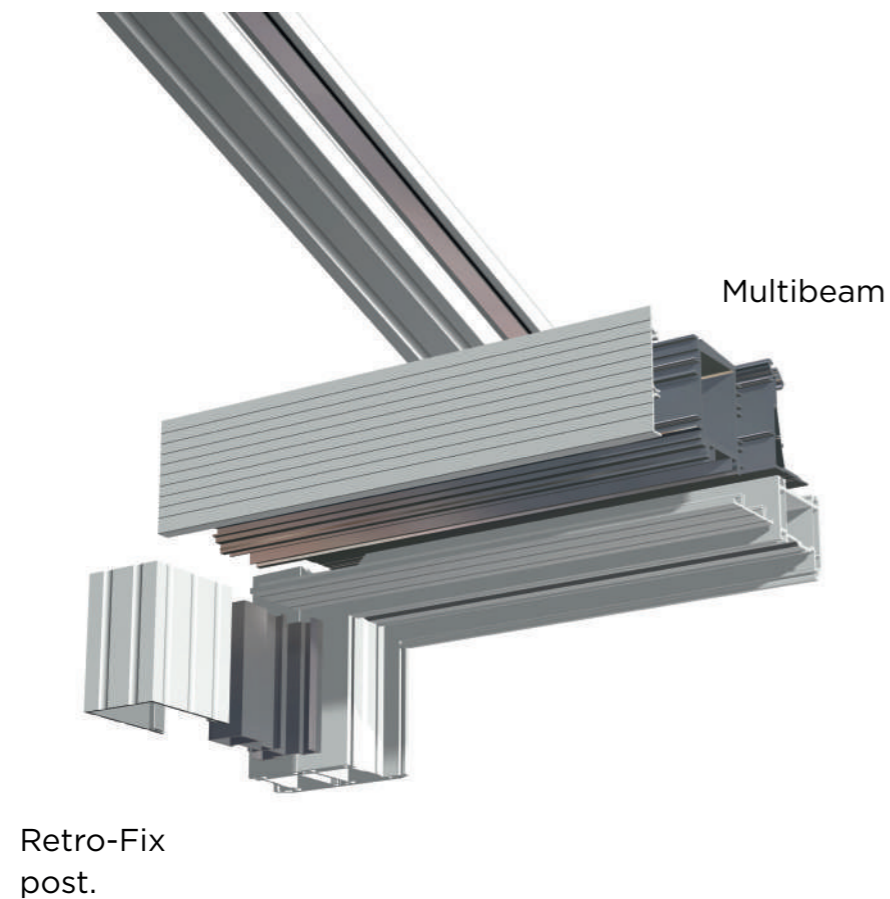
Ancillaries | Portal Frames | Glass

REPLACEMENTS

RETRO-FIX SOLUTIONS

Our Retro-Fix frame support products have been specially designed by our engineers, for the replacement conservatory market. The Retro-Fix system is a range of structural side frame posts that are specific to replacement conservatories and are used to support heavier conservatory glass roofs and WARMroof roofs, in installations where polycarbonate as a glazing material is being upgraded. It is important that the frame work beneath the roof is able to

provide adequate lateral support for the roof loading above, in many instances the framework beneath a polycarbonate roof will be designed originally to support the load of the much lighter polycarbonate and therefore will not be capable of supporting a heavier roof, unless Retro-Fix supports are specified. Multi beam can be specified alone or with our support posts to enable greater spans to be achieved over wider openings such as bi-folding doors and sliding doors.



PREFIX

STRUCTURES

Prefix Systems have always undertaken large scale projects for the domestic and commercial sectors. Our specialist division know as **Prefix Structures** will guide you through the process from planning to completion including structural calculations for building control submission.

The use of structural portal frames have become common place in recent years; larger openings for sliding or bi-folding doors mean that additional support is required to prevent deflection. Prefix Systems have both the experience and expertise which is fundamentally important in projects of these types.

Our hands on approach in this area not only includes technical assistance but help with the initial survey and on-site assistance if required. Some of our latest projects include commercial walkways, swimming pool enclosures, stairwell covers and large scale glazed extensions.



ROOF GLASS

Our latest range of performance glass provide more options than ever before to create the perfect environment for any home, extension or conservatory.

Our solar control, self cleaning glass is ideal for conservatory or lantern roofs, helping keep the room useable all year round. The solar control coating reflects much of the heat from the sun keeping the interior cooler and significantly reduces the amount of heat internally, providing a more comfortable and useable living space. The coating is incorporated into our tinted roof glass which also provides solar control as they absorb more heat and radiate it back to the outside. Combining a tint with a coating to reflect even more heat will increase the overall cooling performance even further whilst absorbing some of the glare into the room. Our top performing roof glass reflects up to 80% of the suns heat and comes complete with a self clean coating.

Combining this solar control glass with our energy efficient inner pane provides unbeatable thermal insulation, reflecting heat back into the room and reducing heat loss more effectively than traditional low-emissivity glass products.

The result? You can have the best of both worlds, our doubled glazed units provide; solar control coating on the outer face to keep cooler in the summer and the thermal retention properties of low 'e' coating on the inner pane to keep the room warmer during the winter.



SIDE FRAME GLAZING

When specifying glass for a conservatory or roof replacement, many people choose solar control glass for the roof, but do not consider it for the sidewalls. In south or west facing conservatories in particular, the amount of heat build up can make the conservatory uncomfortable, even when solar control glazing has been used overhead.

Our range of conservatory specific side frame glass combines solar control and thermal insulating properties, to provide a comfortable year round environment, enabling the consumer to get the most out of your conservatory or Orangery whatever the weather.

This glass can save you money on energy bills too, proving a wise investment to any home. The thermal insulating properties mean it will require less energy to heat the conservatory to the desired temperature. You can even reduce the bleaching effect of the sun on furniture or carpets by specifying a 6.4mm laminated glass in the side frame glazing. Speak to our sales team for more information about our glass options.



CUSTOMER SUPPORT

Marketing & Aftercare

MARKETING

The marketing support programme from Prefix Systems enables us to support our trade partners with even more tools to succeed. Our marketing department has seen a huge investment over the past year and we are now able to offer marketing support to all our customers. Along with this product directory which features all the products we offer, we are also able to offer brochures for all our core products including the WARMroof, Opus and Verandah.

Eager to build on our marketing performance, we have also developed new marketing packs which support our products and showroom samples. These packs include brochures, posters, a roller banner, certifications and website support for all our customers. We are also able to supply our brochures and roller banners with overprinting, allowing you to have your company logo and contact details printed onto our product brochures.

The marketing support programme from Prefix Systems has also seen considerable investment in the form of a new website which we are constantly evolving to provide information and support for all customers, both potential and existing. Our download section allows customers to download all our brochures in PDF format. Visit www.prefixsystems.co.uk.



AFTERCARE

We have built our business on providing all our customers with first class levels of service, both before and after-sales, which sets us apart from other conservatory system fabricators. We have a professional, reliable and dedicated team that are on hand to offer you after-sales support if required.

Should it be discovered on or after delivery any product to be found broken, missing or in a damaged condition we are here to assist you to resolve any issues. Email our after-sales care team: aftersalescare@prefixsystems.co.uk



After-sales care from Prefix Systems.



PREFIX (UK)

Systems House | Cunliffe Road | Blackburn
Lancashire | BB1 5UA
T: 01254 871800

PREFIX (SOUTH)

Unit 16 Barn Way | Lodge Farm Ind. Estate
East Dunston | Northampton | NN5 7UW
T: 01604 750212

PREFIX (SOUTH WEST)

Unit 6 Ystrad Trade Park | Ystrad Road
Fforestfach | Swansea | SA5 4JB
T: 01792 588254

PAVILION SYSTEMS

Unit F2 Ford Airfield Ind. Estate
Ford | Arundel | West Sussex | BN18 0HY
T: 01903 739440

W: www.prefixsystems.co.uk

E: marketing@prefixsystems.co.uk

 @prefixsystems

 Prefix Systems

 @prefixsystems