



**smart**  
architectural aluminium

## Alitherm 800 Flush Casement

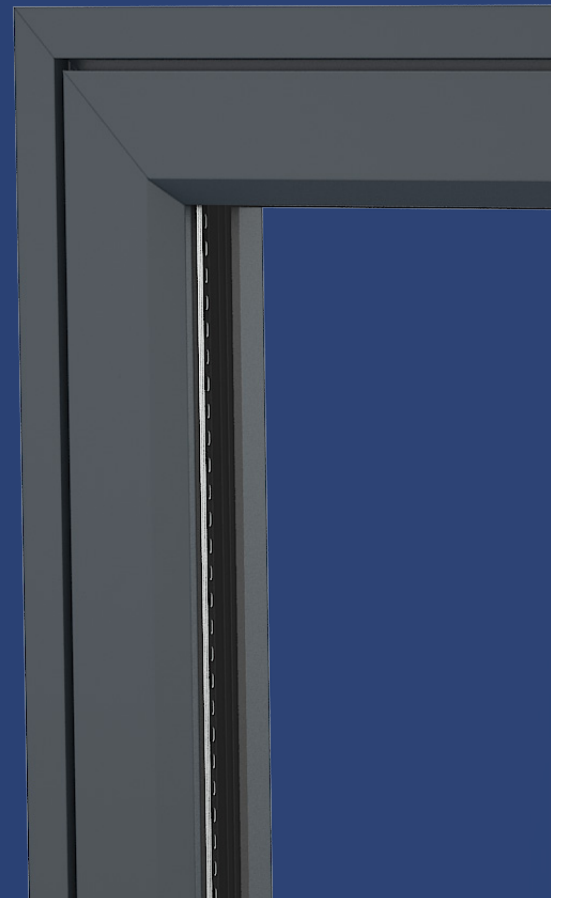
Providing a 'French mullion' option for contemporary properties, the high-quality Alitherm 800 Flush Casement window delivers outstanding aesthetics and thermal performance.

Delivering an 'A' window energy rating and a U-value of just 1.3W/m<sup>2</sup>K (dependant on the sealed unit used), Alitherm 800 windows are suitable for a wide range of applications, including both residential and light commercial new build and refurbishment projects.

The high-performance Alitherm 800 system offers a range of options, including side-hung, top-hung and the completely new French casement variants, as well as a number of outer frame, sash and bead options.

- Window Energy Rating A
- BRE Green Guide A+
- U Values up to 1.3 W/m<sup>2</sup>K (depending on system and glass unit)
- Kitemarked – which includes PAS24:2016 security and high weather performance.

The images illustrate different types of suitable applications for Alitherm 800 and are not binding in detail or specification



# Alitherm 800 Flush Casement

In common with every profile in the Alitherm range, the Alitherm 800 window system incorporates Smart's innovative polyamide thermal break technology, which creates a barrier between the cold air outside and warm air inside. This technology significantly reduces thermal transmittance and enhances the overall U Value of the product.

Alitherm 800 is available in a choice of standard and non-standard colours, with single and dual colour options including Smart's own Naturals, Sensations, Alchemy and Cotswold colour ranges.

The Alitherm series features Alitherm 300, Alitherm 600, Alitherm 700, Alitherm 800 and Alitherm Heritage windows – all designed to meet the exacting requirements of Document L 2010.



## Application

- ◆ All general light use applications, including light commercial

## Features

- ◆ An enhanced system designed to comply with the revisions to the Building Regulations
- ◆ Document L compliant
- ◆ System can achieve Window Energy A Rating
- ◆ 316 Marine Grade Stainless Steel Hardware option
- ◆ Profiles feature an extended polyamide thermal break to enhance thermal performance
- ◆ Fabrication is by method of crimped corners
- ◆ Profiles are chamfered externally and flat internally (not flush)
- ◆ British Standard Kitemarked system – KM 81580

## Finish

Single or dual colour, marine quality powder coat as standard

## Technical Performance

**U Value** Up to 1.3 W/m<sup>2</sup>K (depending on design and glass unit)

## Dimensions

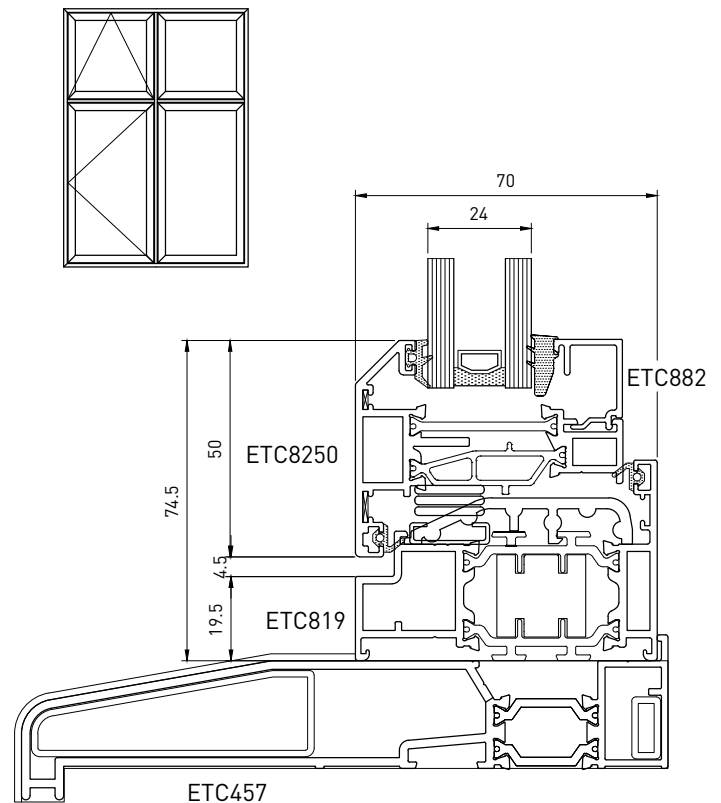
**Frame Depth** 70mm

**Glass** 24mm & 28mm Double or triple glazed

## Document L Compliant

## Test Certification

**Enhanced Security** PAS24: 2016



Window Type	Maximum Length (mm)	Maximum Height (mm)	Maximum Area (m <sup>2</sup> )	Friction Stays (up to and including)	Transom/Mullion Length (mm) inc. Frame – Maximum	Air Permeability Classification	Watertightness Classification	Resistance to Wind Classification	Exposure Category as given in Table 1 of BS 6375-1:2009
Sash dimensions for windows with approved sash profiles:									
Projecting top hungs	1400	1300	-	24"	-	3	8A	A2	800
Projecting side hungs	800	1400	-	16"	-	3	E1050	AE	2000
Overall dimensions for windows with approved outer frame profile:									
Fixed	2100	2100	4.2	-	-	3	E1050	AE	2000
Overall dimensions for windows for approved outer frame & transom/mullion profile:									
Multilight ETC831 Transom/Mullion	2100	2100	2.9	-	1450	-	E1050	AE	2000