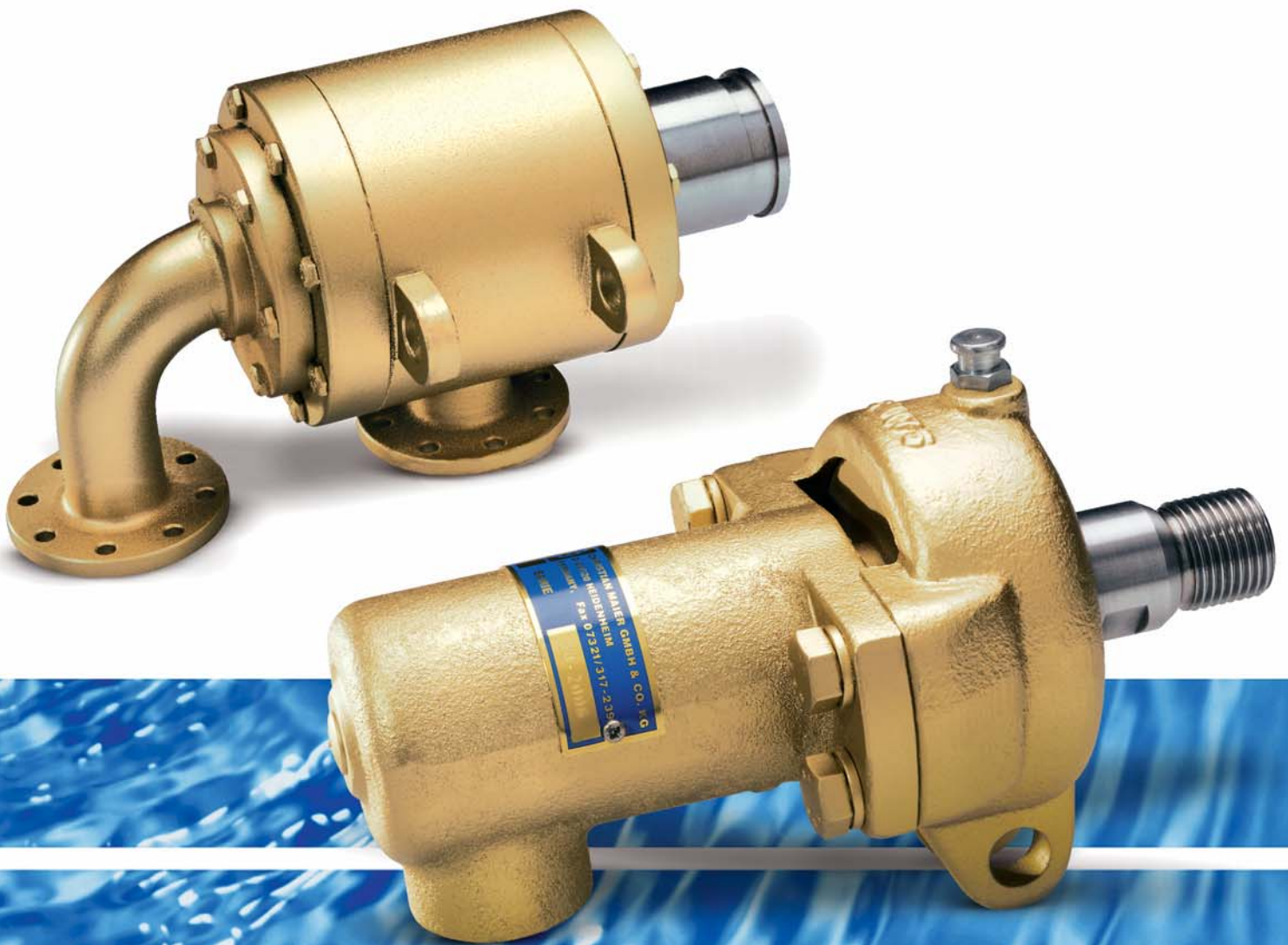


Rotary Joints

Series M + DA



Rotary Joints Series M



M Rotary Joints are suitable for

- water
- steam
- Advantages are:
 - The extremely robust seal gives satisfactory results with heavily contaminated water. Example: Hot furnaces and stone-washing machines.
- Housing made of cast iron with spheroidal graphite, bearing housing made of cast iron.
- Rotor made of steel with polished abrasion and corrosion-protective coating of metal-ceramics in the sealing surface area.
- Packing with teflon impregnation, very rugged, may also be used with high-solids media.
- Compression spring made of chrome steel.

- High-quality ball bearing. Easy access to lubrication nipple.
- Corrosion-resistant support bearing in pressure chamber.
- Connection to rotating pressure system by means of:
 - Standard connection piece with right-hand or left-hand male thread BSP (ISO 228).
 - Sealing and centering cone at end of thread. Adapter pieces for NPT and other threads are available.
 - K-flange with conical inner ring.
- Radial and axial housing connections with right-hand thread BSP (ISO 228). Adapter pieces for NPT and other threads are available. Thread for fixed inner pipe always right-hand even with left-hand thread at rotor (design 2).
- Combined slide bearing and gland seal for rotating inner pipe as diaphragm gland.
- Prevention of housing rotation by means of fork at bearing housing which accommodates the locking pin.
- Operating manuals are available at www.maier-heidenheim.de or directly from our works. Our sales staff will be happy to provide you with user ID and password. When placing an order you will find this information on the delivery note.

Application data

Series		M	M
Design Nominal diameter DN mm		1, 2, R2, 3 15...100	1, 2, R2, 3 15...100
Medium		Cooling water Hot water	Steam
Temperature Pressure PN	min...max °C min...max bar	-15...160 0,2...20	-15...160 0,2...20
Speed	max...min ⁻¹	<u>16 000</u> DN	<u>8 000</u> DN

Designs for other values and media upon request.
The combination of maximum values should be avoided.

Ordering instructions

Example:

M	R	3	40	K	-001
---	---	---	----	---	------

Series M

R Design for rotating inner pipe with slide bearing and gland seal

Number of housing connections
 1 for one way flow design
 2 for two way flow design
 3 for two way flow design with vacuum breaker

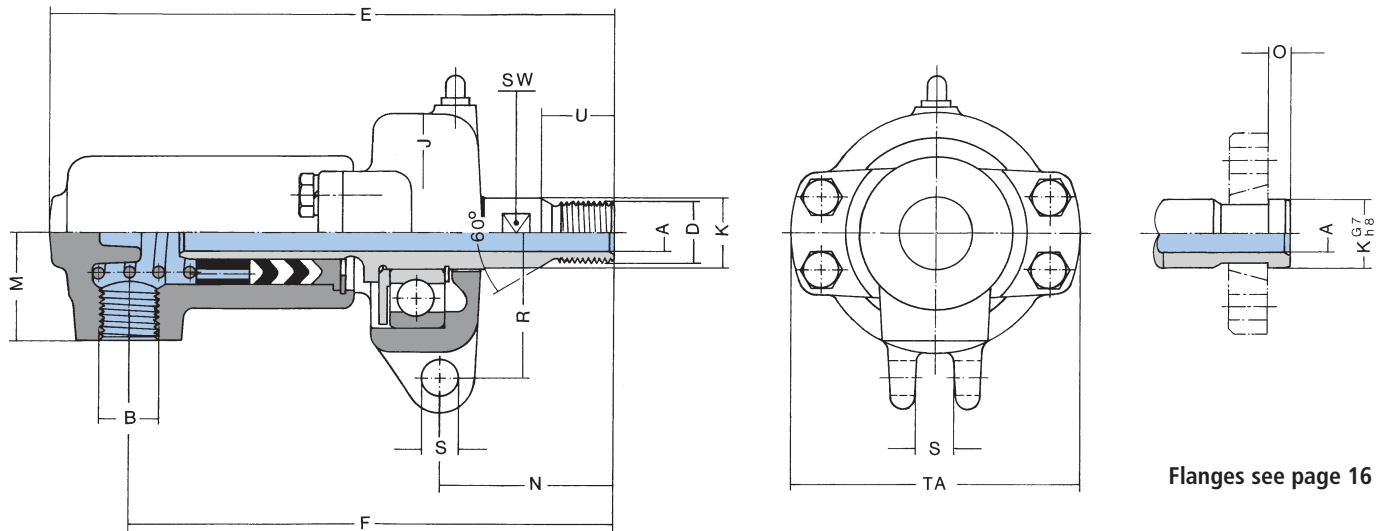
Nominal diameter in mm ($\hat{=}$ dimension A)
 15, 20, 25, 32, 40, 50, 65, 80, 100

Rotor connection
 R for right-hand thread
 L for left-hand thread
 K for K flange
 Adapters for other threads are available, upon request.

Consecutive numbers for special designs; numbering by factory.

M1 DN 15-100

for one way flow of a medium

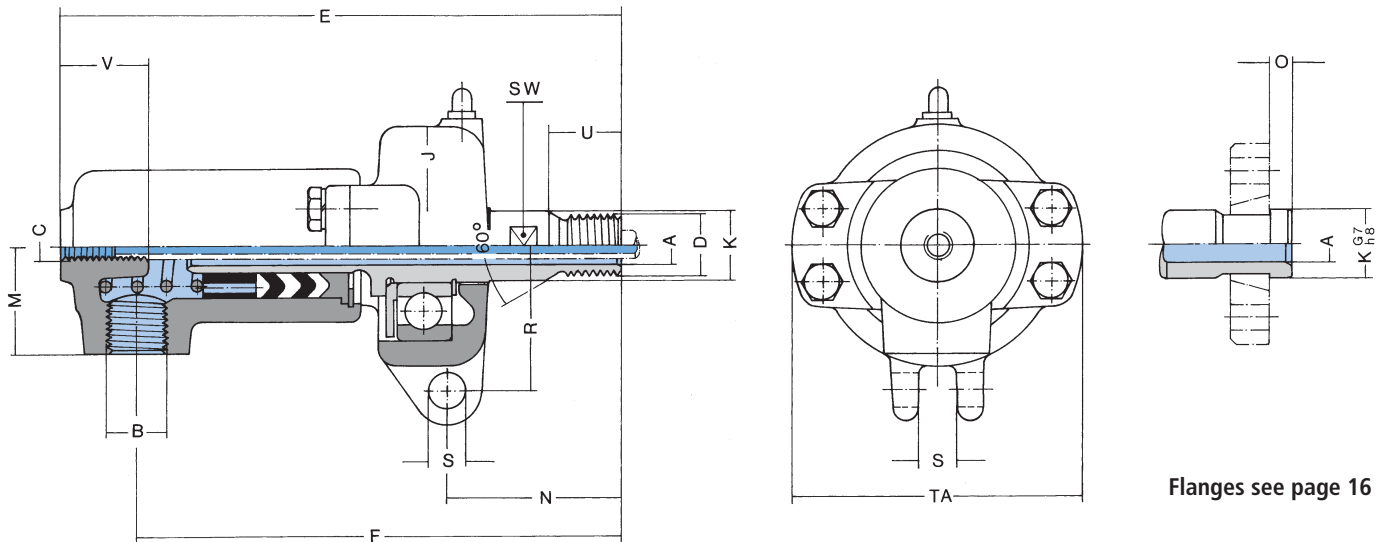


Flanges see page 16

DN	15	20	25	32	40	50	65	80	100
Type	M 115 R	M 120 R	M 125 R	M 132 R	M 140 R	M 150 R	M 165 R	M 180 R	M 1100 R
Order-No.	1101030	1101080	1101150	1101250	1101350	1101450	1101550	1101650	1101756
Type	M 115 L	M 120 L	M 125 L	M 132 L	M 140 L	M 150 L	M 165 L	M 180 L	M 1100 L
Order-No.	1101031	1101081	1101151	1101251	1101351	1101451	1101551	1101651	1101757
Type	M 115 K	M 120 K	M 125 K	M 132 K	M 140 K	M 150 K	M 165 K	M 180 K	M 1100 K
Order-No.	1101032	1101082	1101152	1101252	1101352	1101452	1101552	1101652	1101758
Ø A	13	20	25	32	38	50	66	81	98
B	G 1/2	G 3/4	G 1	G 1 1/4	G 1 1/2	G 2	G 2 1/2	G 3	G 4
D	G 1/2 A	G 3/4 A	G 1 A	G 1 1/4 A	G 1 1/2 A	G 2 A	G 2 1/2 A	G 3 1/2 A	G 4 A
E	176	185	207	241	255	297	339	400	475
F	150	156	173	200	209	244	278	331	384
Ø J	76	76	88	130	130	145	185	225	240
Ø K	25	30	35	48	52	68	85	108	119
Ø K G7/h8	24	30	35	45	50	65	85	105	114
M	35	40	45	55	62	82	90	105	120
N	56	56	65	76	78	103	106	132	159
O	6	8	8	8	10	10	10	12	12
R	46	46	52	75	75	82	102	125	140
S	12	12	12	16	16	16	16	20	26
U	23	23	28	33	36	43	48	54	66
SW	22	27	30	41	46	60	75	95	110
TA	94	94	106	155	155	175	210	255	300
Weight (kg)	2,2	2,4	3,6	7,7	8,7	12,9	18,9	35	44,8

M2 DN 15-100

for two way flow of a medium
designed for non-rotating inner pipe

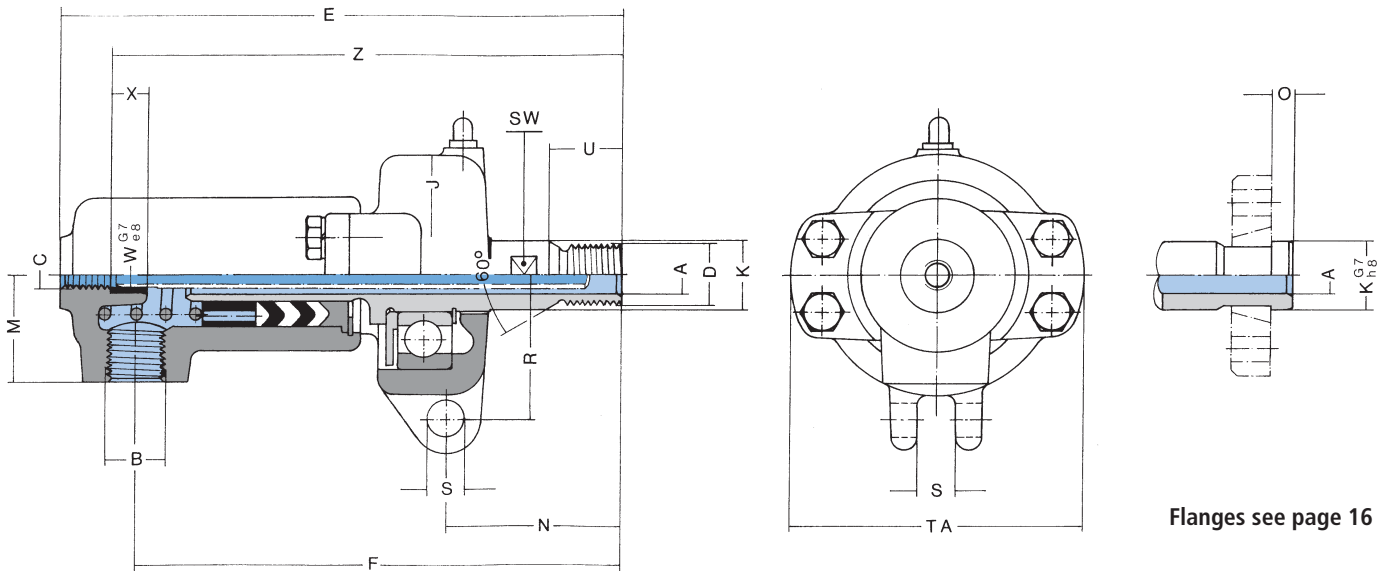


Flanges see page 16

DN	15	20	25	32	40	50	65	80	100
Type	M 215 R	M 220 R	M 225 R	M 232 R	M 240 R	M 250 R	M 265 R	M 280 R	M 2100 R
Order-No.	1101034	1101083	1101153	1101253	1101353	1101453	1101553	1101653	1101750
Type	M 215 L	M 220 L	M 225 L	M 232 L	M 240 L	M 250 L	M 265 L	M 280 L	M 2100 L
Order-No.	1101033	1101084	1101154	1101254	1101354	1101454	1101554	1101654	1101751
Type	M 215 K	M 220 K	M 225 K	M 232 K	M 240 K	M 250 K	M 265 K	M 280 K	M 2100 K
Order-No.	1101035	1101085	1101155	1101255	1101355	1101455	1101555	1101655	1101752
Ø A	13	20	25	32	38	50	66	81	98
B	G 3/8	G 1/2	G 3/4	G 1	G 1 1/4	G 1 1/2	G 2	G 2 1/2	G 3
C	G 1/8	G 1/4	G 3/8	G 1/2	G 3/4	G 1	G 1 1/2	G 1 1/2	G 2
D	G 1/2 A	G 3/4 A	G 1 A	G 1 1/4 A	G 1 1/2 A	G 2 A	G 2 1/2 A	G 3 1/2 A	G 4 A
E	174	183	205	238	252	294	336	398	470
F	150	156	173	200	209	244	278	331	384
Ø J	76	76	88	130	130	145	185	225	240
Ø K	25	30	35	48	52	68	85	108	119
Ø K G7/h8	24	30	35	45	50	65	85	105	114
M	35	40	45	55	62	82	90	105	120
N	56	56	65	76	78	103	106	132	159
O	6	8	8	8	10	10	10	12	12
R	46	46	52	75	75	82	102	125	140
S	12	12	12	16	16	16	16	20	26
U	23	23	28	33	36	43	48	54	66
V	28	32	35	45	50	60	70	80	90
SW	22	27	30	41	46	60	75	95	110
TA	94	94	106	155	155	175	210	255	300
Weight (kg)	2,1	2,3	3,5	7,6	8,5	12,7	18,6	34,5	44,3

MR2 DN 15-100

for two flow of a medium
designed for rotating inner pipe



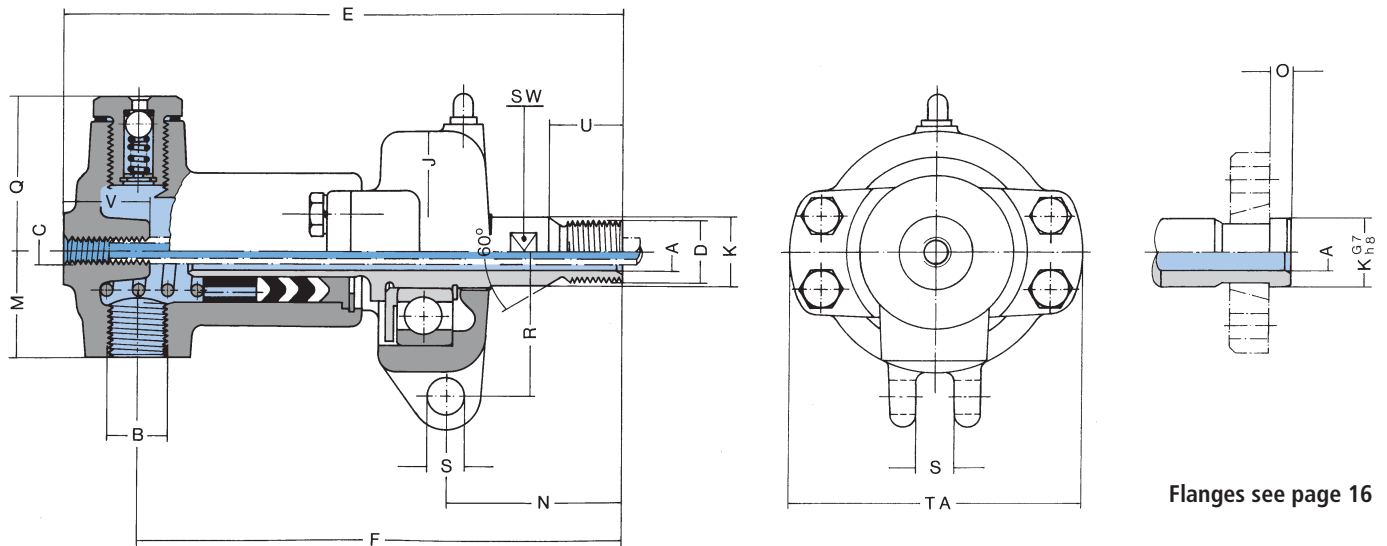
Flanges see page 16

DN	15	20	25	32	40	50	65	80	100
Type	MR 215 R	MR 220 R	MR 225 R	MR 232 R	MR 240 R	MR 250 R	MR 265 R	MR 280 R	MR 2100 R
Order-No.	1101036	1101086	1101156	1101256	1101356	1101456	1101556	1101656	1101753
Type	MR 215 L	MR 220 L	MR 225 L	MR 232 L	MR 240 L	MR 250 L	MR 265 L	MR 280 L	MR 2100 L
Order-No.	1101037	1101087	1101157	1101257	1101357	1101457	1101557	1101657	1101754
Type	MR 215 K	MR 220 K	MR 225 K	MR 232 K	MR 240 K	MR 250 K	MR 265 K	MR 280 K	MR 2100 K
Order-No.	1101038	1101088	1101158	1101258	1101358	1101478	1101558	1101658	1101755

Ø A	13	20	25	32	38	50	66	81	98
B	G 3/8	G 1/2	G 3/4	G 1	G 1 1/4	G 1 1/2	G 2	G 2 1/2	G 3
C	G 1/8	G 1/4	G 3/8	G 1/2	G 3/4	G 1	G 1 1/2	G 1 1/2	G 2
D	G 1/2 A	G 3/4 A	G 1 A	G 1 1/4 A	G 1 1/2 A	G 2 A	G 2 1/2 A	G 3 1/2 A	G 4 A
E	174	183	205	238	252	294	336	398	470
F	150	156	173	200	209	244	278	331	384
Ø J	76	76	88	130	130	145	185	225	240
Ø K	25	30	35	48	52	68	85	108	119
Ø K G7/h8	24	30	35	45	50	65	85	105	114
M	35	40	45	55	62	82	90	105	120
N	56	56	65	76	78	103	106	132	159
O	6	8	8	8	10	10	10	12	12
R	46	46	52	75	75	82	102	125	140
S	12	12	12	16	16	16	16	20	26
U	23	23	28	33	36	43	48	54	66
Ø W G7/e8	10	12	16	20	25	31,8	45	45	60
X	15	15	15	15	25	25	30	30	40
Z	160	166	185	208	227	259	296	348	420
SW	22	27	30	41	46	60	75	95	110
TA	94	94	106	155	155	175	210	255	300
Weight (kg)	2,1	2,3	3,5	7,6	8,5	12,7	18,6	34,5	44,3

M3 DN 20-40

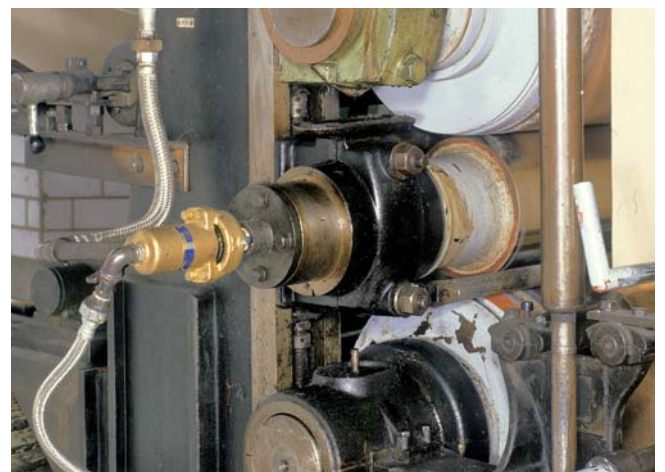
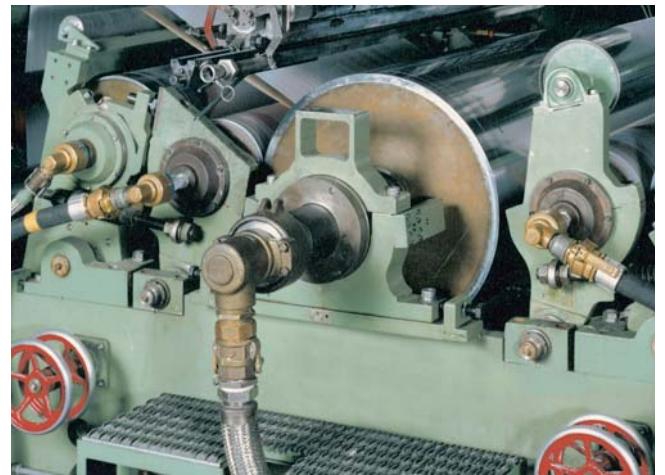
for two way flow of a medium
designed for non-rotating inner pipe, with vacuum breaker



Flanges see page 16

DN	20	25	32	40
Type	M 320 R	M 325 R	M 332 R	M 340 R
Order-No.	1101103	1101173	1101259	1101359
Type	M 320 L	M 325 L	M 332 L	M 340 L
Order-No.	1101104	1101174	1101260	1101360
Type	M 320 K	M 325 K	M 332 K	M 340 K
Order-No.	1101105	1101175	1101261	1101361

Ø A	20	25	32	38
B	G 1/2	G 3/4	G 1	G 1 1/4
C	G 1/4	G 3/8	G 1/2	G 3/4
D	G 3/4 A	G 1 A	G 1 1/4 A	G 1 1/2 A
E	183	205	238	252
F	156	173	200	209
Ø J	76	88	130	130
Ø K	30	35	48	52
Ø K G7/h8	30	35	45	50
M	40	45	55	62
N	56	65	76	78
O	8	8	8	10
Q	60	73	81	86
R	46	52	75	75
S	12	12	16	16
U	23	28	33	36
V	32	35	45	50
SW	27	30	41	46
TA	94	106	155	155
Weight (kg)	3,8	4,6	8,3	8,7



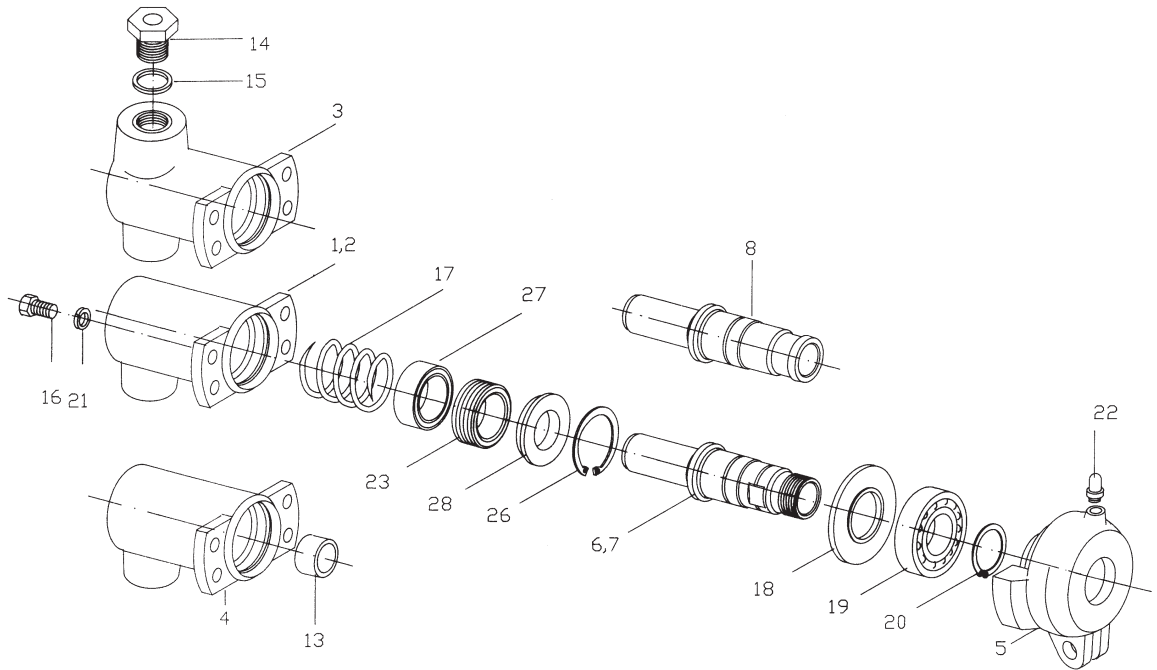
Spare parts for series M

M 3... R/L/K

M 1... R/L/K

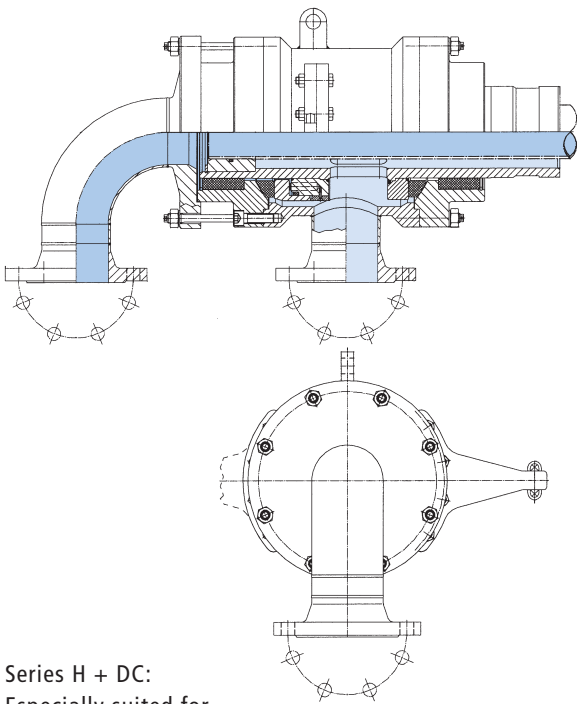
M 2... R/L/K

MR 2... R/L/K



DN	10	15	20	25	32	40	50	65	80	100
1 Housing 1	1101005	1101040	1101090	1101160	1101263	1101362	1101460	1101559	1101660	1101760
2 Housing 2	–	1101041	1101091	1101161	1101264	1101363	1101461	1101560	1101661	1101761
3 Housing 3	–	–	1101093	1101163	1101265	1101364	–	–	–	–
4 Housing R2	–	1101042	1101092	1101162	1101266	1101365	1101462	1101561	1101662	1101762
5 Bear. housing	1101004	1101039	1101089	1101159	1101262	1101262	1101458	1101459	1101659	1101759
6 Rotor R	1101006	1101044	1101094	1101164	1101267	1101366	1101463	1101562	1101663	1101763
7 Rotor L	1101007	1101045	1101095	1101165	1101268	1101367	1101464	1101563	1101664	1101764
8 Rotor K	1101008	1101046	1101096	1101166	1101269	1101368	1101465	1101564	1101665	1101765
13 Slide bearing	–	3510502	3510504	3510506	3510501	3510509	3510512	3510514	3510514	3510523
14 Vacuum valve	–	–	1190010	1190020	1190020	1190020	–	–	–	–
15 CU seal	–	–	3511961	3511962	3511962	3511962	–	–	–	–
16 Hex screw	3500040	3500080	3500080	3500080	3500120	3500120	3500160	3500160	3500190	3500194
17 Compress. spring	3511500	3511501	3511502	3511503	3511504	3511505	3511506	3511507	3511508	3511509
18 Labyr. gland	1101011	1101052	1101102	1101172	1101275	1101275	1101468	1101471	1101671	1101771
19 Ball bearing	3510000	3510001	3510002	3510003	3510005	3510005	3510014	3510007	3510008	3510009
20 Locking ring	3501000	3501001	3501002	3501003	3501004	3501004	3501024	3501005	3501006	3501007
21 Washer	3500712	3500713	3500713	3500713	3500714	3500714	3500715	3500715	3500716	3500716
22 Lubric. nipple	3500918	3500918	3500918	3500918	3500918	3500918	3500918	3500918	3500918	3500918
23 Packing	3511001	3511002	3511003	3511004	3511005	3511006	3511007	3511008	3511009	3511010
26 Circlip	3501200	3501201	3501202	3501203	3501204	3501226	3501205	3501206	3501207	3501208
27 Supp. bearing	1101009	1101051	1101101	1101171	1101274	1101373	1101470	1101569	1101670	1101770
28 Thrust collar	1101010	1101050	1101100	1101170	1101273	1101372	1101469	1101568	1101669	1101769

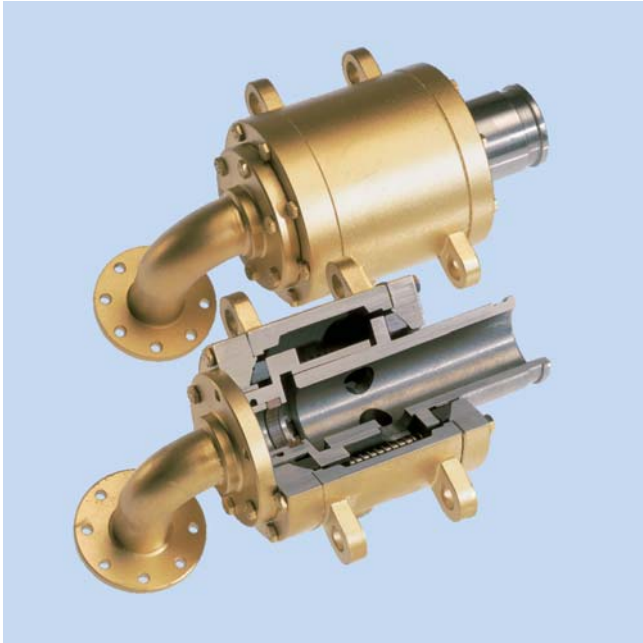
Please specify type designation when inquiring or ordering!



Series H + DC:
Especially suited for
large steam capacities; available diameters up to DN 350.



Rotary Joints Series DA



DA Rotary Joints are suitable for

- thermal oil
- steam
- water at low RPM

Advantages are:

- Inexpensive design, since there are not bearings.
 - Available in large sizes, up to DN 300 mm nominal bore.
 - Seal rings are resistant to friction, even at high pressures.
 - The design A2 for rotating inner pipe has a seal between inlet and outlet.
 - Maintenance free – no lubrication necessary.
- Housing made of cast iron with spheroidal graphite, diameters DN 80 and above made of steel.
 - Rotor made of chrome steel, rotor pipe for diameters DN 65 and above made of steel; sealing surface made of chrome steel.

- Cover, flange cover, butting ring, adjustment ring and compression springs made of chrome steel.

- Sealing elements made of highly wear-resistant, metal-impregnated graphite carbon. Sealing rings are pressure-loaded.

The seal requires little maintenance. Wear indicator for sealing ring on rotor. Wear of second ring is determined by means of measurement gauge.

- Connection to rotating pressure system by means of:

- K flange with conical inner ring.

- Radial and axial housing connections with flanges PN 16 or PN 40.

Thread for fixed inner pipe always right-hand (design 2).

- Static bearing for rotating inner pipe (not supplied with rotary joint) in the rotor; additional seal for complete isolation of flow and return.
- Prevention of housing rotation and radial support of housing by means of lugs at housing designed to accommodate the fastening bolts of a bracket (not supplied with rotary joint). Thermal expansion of the roller and wear of the seal cause an axial displacement of the housing (away from the roller).

Devices for prevention of housing rotation as well as hose and compensator connections and inner pipe must not interfere with this axial displacement since the rotary joint will otherwise not operate properly. Please read operating manual!

- Operating manuals are available at www.maier-heidenheim.de or directly from our works. Our sales staff will be happy to provide you with user ID and password. When placing an order you will find this information on the delivery note.

Application data

Series		DA
Design Nominal diameter DN mm		1, 2, A2 50...300
Medium		Cooling water Hot water Steam Thermal oil
Temperature Pressure PN	min...max °C min...max bar	-30...320* 0,8...40 from DN 150...20
Speed	max...min ⁻¹	$\frac{100\,000}{DN \times PN}$

Designs for other values and media upon request.

*500°C as special design.

The combination of maximum values should be avoided.

Ordering instructions

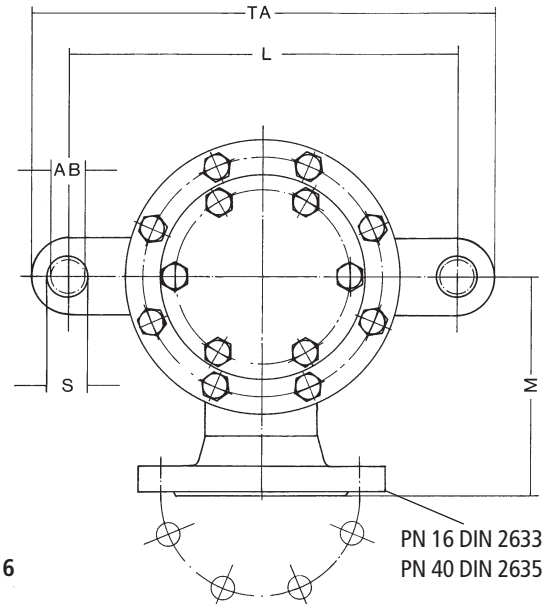
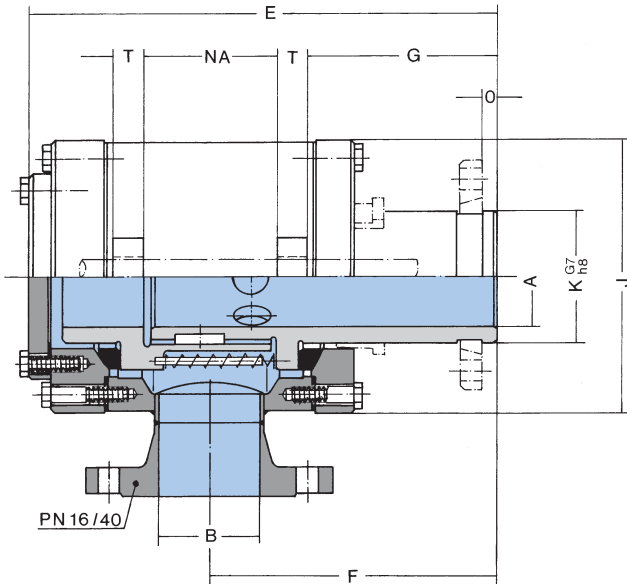
Example:

DA	A	2	300	K	-020
----	---	---	-----	---	------

Series DA					
A	Designs for rotating inner pipe with complete sealing between flow and return				
1 2	Number of housing connections for one way flow design for two way flow design				
	Nominal diameter in mm ($\hat{=}$ dimension A) 50, 65, 80, 100, 125, 150, 200, 250, 300				
K	Rotor connection for K flange				
Consecutive numbers for special designs; numbering by factory.					

DA1 DN 50-300

for one way flow of a medium



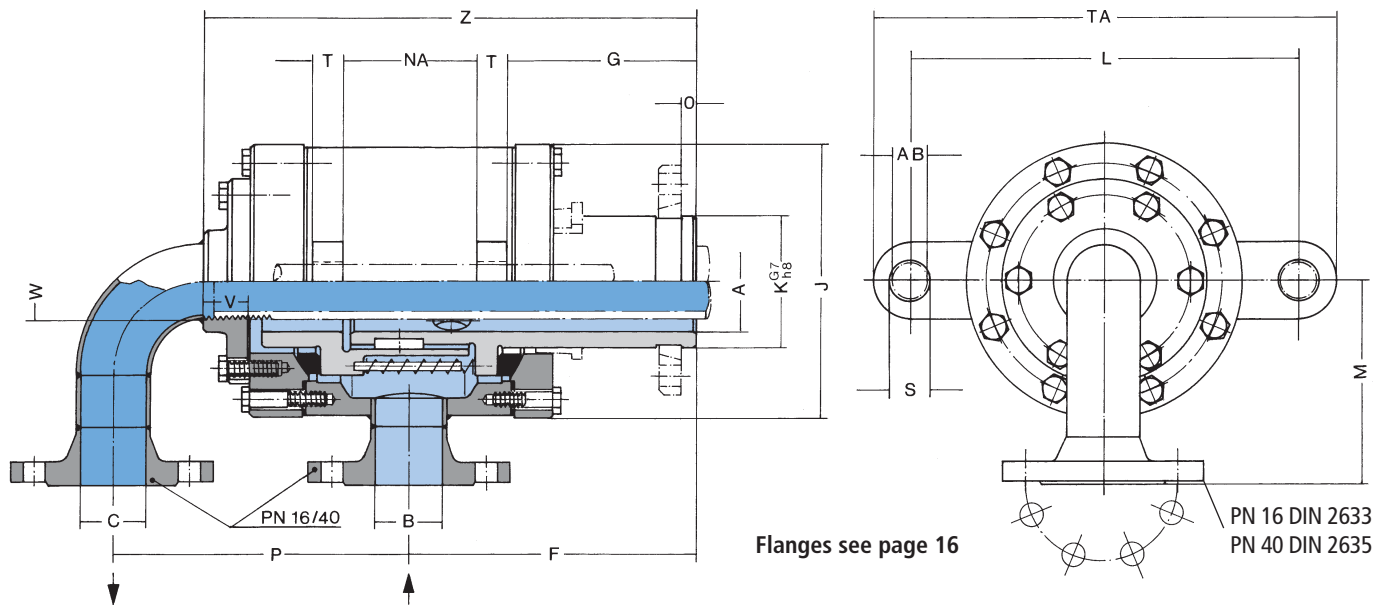
Flanges see page 16

DN	50	65	80	100	125	150	200	250	300
Type PN 16				DA 1100 K-160	DA 1125 K-160	DA 1150 K-160	DA 1200 K-160	DA 1250 K-160	DA 1300 K-160
Order-No.				1109437-160	1109537-160	1109637-160	1109737-160	1109837-160	1109937-160
Type PN 40	DA 150 K-400	DA 165 K-400	DA 180 K-400	DA 1100 K-400	DA 1125 K-400	DA 1150 K-400	DA 1200 K-400	DA 1250 K-400	DA 1300 K-400
Order-No.	1109137-400	1109237-400	1109337-400	1109437-400	1109537-400	1109637-400	1109737-400	1109837-400	1109937-400

Ø A	50	66	80	98	120	145	195	240	295
B	DN 50	DN 65	DN 80	DN 100	DN 125	DN 150	DN 200	DN 250	DN 300
E	294	337	386	457	517	555	653	749	856
F	180	206	232	275	310	337	392	453	515
G	105	121	153	179	203	208	235	263	300
Ø J	144	180	220	270	315	345	425	510	595
Ø K G7/h8	65	85	105	114	142	170	225	280	340
L ± 0,3	180	230	270	340	390	430	520	610	720
M	130	155	175	210	230	260	305	395	490
O	10	10	12	12	20	25	30	35	40
S	26	31	36	46,5	56,5	66,5	72	77	82
T	20	22	25	25	30	30	35	40	50
Ø AB -0,2	25	30	35	45	55	65	70	75	80
NA	115	131	108	143	158	198	244	300	330
TA	285	340	360	537	547	550	650	750	860
Weight (kg)	20	35	53	90	136	167			

DA2 DN 50-150

for two way flow of a medium
designed for non-rotating inner pipe

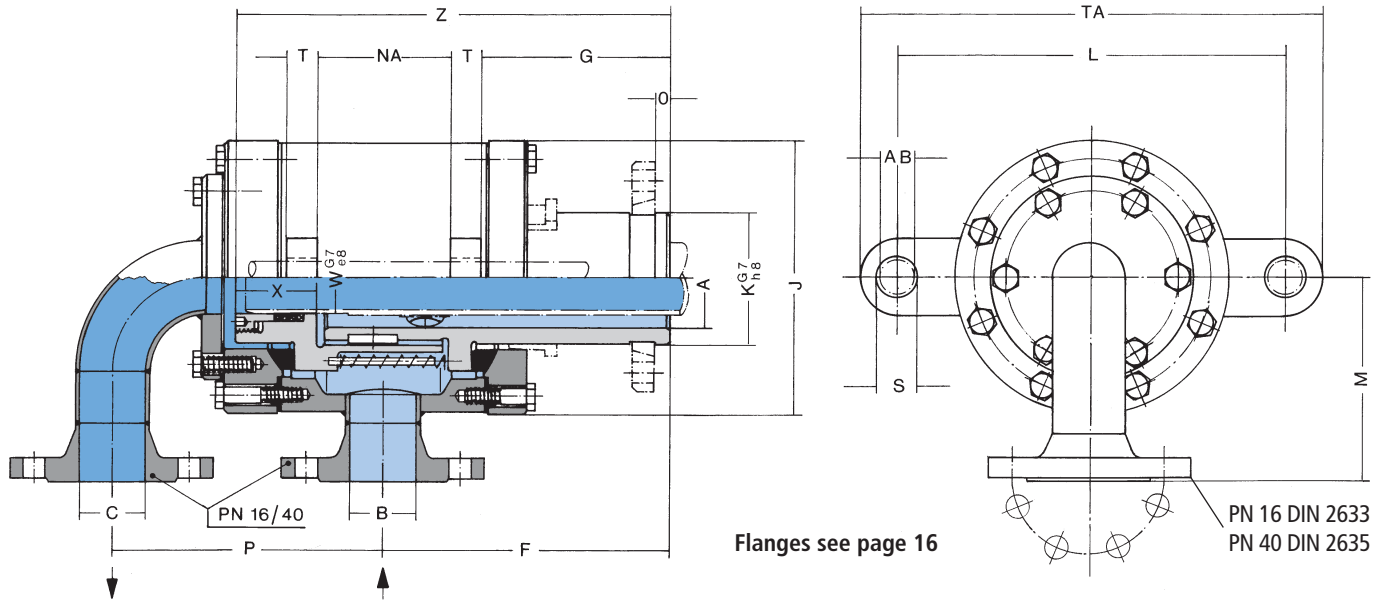


DN	50	65	80	100	125	150
Type PN 16					DA 2125 K-160	DA 2150 K-160
Order-No.					1109539-160	1109639-160
Type PN 40	DA 250 K-400	DA 265 K-400	DA 280 K-400	DA 2100 K-400	DA 2125 K-400	DA 2150 K-400
Order-No.	1109139-400	1109239-400	1109339-400	1109439-400	1109539-400	1109639-400

Ø A	50	66	80	98	120	145
B	DN 40	DN 50	DN 65	DN 80	DN 100	DN 125
C	DN 40	DN 50	DN 65	DN 80	DN 100	DN 125
F	180	206	232	275	310	337
G	105	121	153	179	203	208
Ø J	144	180	220	270	315	345
Ø K G7/h8	65	85	105	114	142	170
L ± 0,3	180	230	270	340	390	430
M	130	155	175	210	230	260
O	10	10	12	12	20	25
P	163	208	250	298	360	410
S	26	31	36	46,5	56,5	66,5
T	20	22	25	25	30	30
V	30	30	35	45	45	50
W	G 1 1/4	G 1 1/2	G 2	G 2 1/2	G 3	G 4
Z	275	335	386	457	517	555
Ø AB -0,2	25	30	35	45	55	65
NA	115	131	108	143	158	198
TA	285	340	360	537	547	550
Weight (kg)	24	39	59	97	174	190

DAA2 DN 50-300

for two way flow of a medium
designed for rotating inner pipe



DN	50	65	80	100	125	150	200	250	300
Type PN 16					DAA 2125 K-160	DAA 2150 K-160	DAA 2200 K-160	DAA 2250 K-160	DAA 2300 K-160
Order-No.					1109541-160	1109641-160	1109741-160	1109841-160	1109941-160
Type PN 40	DAA 250 K-400	DAA 265 K-400	DAA 280 K-400	DAA 2100 K-400	DAA 2125 K-400	DAA 2150 K-400	DAA 2200 K-400	DAA 2250 K-400	DAA 2300 K-400
Order-No.	1109141-400	1109241-400	1109341-400	1109441-400	1109541-400	1109641-400	1109741-400	1109841-400	1109941-400

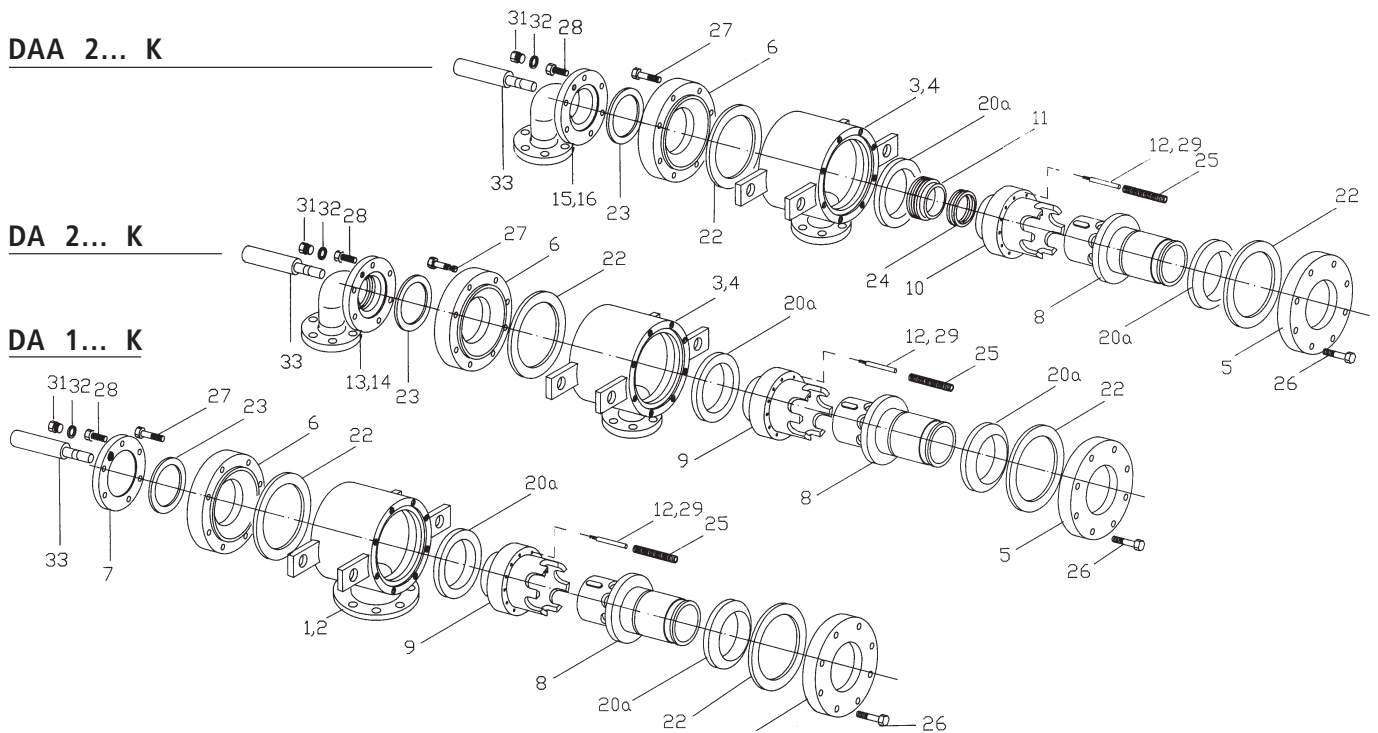
Ø A	50	66	80	98	120	145	195	240	295
B	DN 40	DN 50	DN 65	DN 80	DN 100	DN 125	DN 150	DN 200	DN 250
C	DN 40	DN 50	DN 65	DN 80	DN 100	DN 125	DN 150	DN 200	DN 250
F	180	206	232	275	310	337	392	453	515
G	105	121	153	179	203	208	235	263	300
Ø J	144	180	220	270	315	345	425	510	595
Ø K G7/h8	65	85	105	114	142	170	225	280	340
L ± 0,3	180	230	270	340	390	430	520	610	720
M	130	155	175	210	230	260	305	395	490
O	10	10	12	12	20	25	30	35	40
P	163	208	250	298	360	410	490	602	725
S	26	31	36	46,5	56,5	66,5	72	77	82
T	20	22	25	25	30	30	35	40	50
Ø W G7/e8	37	45	58	75	88	110	135	160	215
X	55	57	65	70	80	90	115	150	175
Z	255	293	350	410	468	488	574	688	788
Ø AB -0,2	25	30	35	45	55	65	70	75	80
NA	115	131	108	143	158	198	244	300	330
TA	285	340	360	537	547	550	650	750	860
Weight (kg)	24	39	59	97	174	190			

Spare parts for series DA

DAA 2... K

DA 2... K

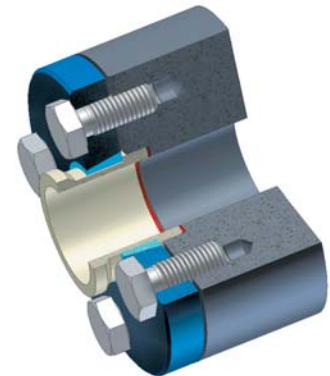
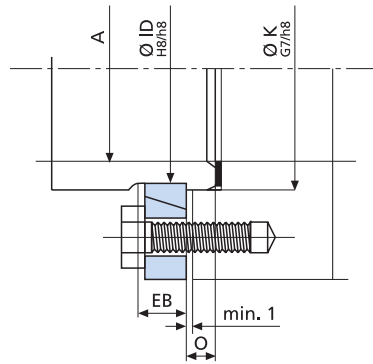
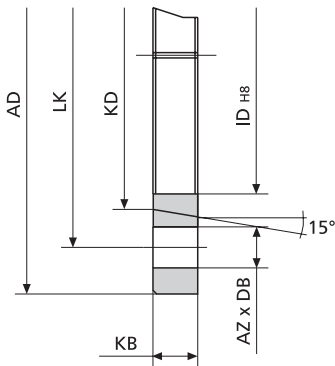
DA 1... K



DN	50	65	80	100	125	150	200	250	300
1 Housing 1 PN 16	–	–	–	1109415-160	1109515-160	1109615-160	1109715-160	1109815-160	1109915-160
2 Housing 1 PN 40	1109115-400	1109215-400	1109315-400	1109415-400	1109515-400	1109615-400	1109715-400	1109815-400	1109915-400
3 Housing 2, A2 PN 16	–	–	–	–	1109521-160	1109621-160	1109721-160	1109821-160	1109921-160
4 Housing 2, A2 PN 40	1109121-400	1109221-400	1109321-400	1109421-400	1109521-400	1109621-400	1109721-400	1109821-400	1109921-400
5 Cover	1109124	1109224	1109324	1109424	1109524	1109624	1109724	1109824	1109924
6 Flange cover*	–	–	1109345	1109445	1109545	1109645	1109745	1109845	1109945
7 Cover 1	1109131	1109231	1109331	1109431	1109531	1109631	1109731	1109831	1109931
8 Rotor K	1109122	1109222	1109322	1109422	1109522	1109622	1109722	1109822	1109922
9 Butting ring 1, 2	1109126	1109226	1109326	1109426	1109526	1109626	1109726	1109826	1109926
10 Butting ring A2	1109128	1109228	1109328	1109428	1109528	1109628	1109728	1109828	1109928
11 Adjustment ring	1109130	1109230	1109330	1109430	1109530	1109630	1109730	1109830	1109930
12 Bolt	–	–	–	–	1109519	1109619	1109719	1109819	1109919
13 Elbow 2 PN 16	–	–	–	–	1109533-160	1109633-160	1109733-160	1109833-160	1109933-160
14 Elbow 2 PN 40	1109133-400	1109233-400	1109333-400	1109433-400	1109533-400	1109633-400	1109733-400	1109833-400	1109933-400
15 Elbow A2 PN 16	–	–	–	–	1109535-160	1109635-160	1109735-160	1109835-160	1109935-160
16 Elbow A2 PN 40	1109135-400	1109235-400	1109335-400	1109435-400	1109535-400	1109635-400	1109735-400	1109835-400	1109935-400
20a Sealing ring	3510646	3510647	3510648	3510649	3511353	3511354	3511355	3511356	3511357
22 Flat packing 1	3512006	3512007	3512255	3512250	1109520	1109620	1109720	1109820	1109920
23 Flat packing 2	3512006	3512007	3512254	3512251	1109549	1109649	1109749	1109849	1109949
24 Packing	3511091	3511091	3511093	3511093	3511093	3511093	3511094	3511090	3511092
25 Compression spring	3511632	3511633	3511634	3511452	16 x 3511638	16 x 3511637	16 x 3511453	16 x 3511454	16 x 3511455
26 Screw 1	3500161	3500163	3500163	3500197	3500199	3500200	3500200	3500219	3500224
27 Screw 2	–	–	3500164	3500201	3500200	3500200	3500200	3500219	3500224
28 Screw 3	3500165	3500165	3500161	3500195	3500195	3500192	3500194	3500215	3500223
29 Locking washer	–	–	–	–	3500724	3500726	3500685	3500685	3500685
31 Screw plug	3500660	3500660	3500660	3500657	3500657	3500657	3500658	3500658	3500658
32 Sealing ring	3502130	3502130	3502130	3502114	3502114	3502114	3502122	3502122	3502122
33 Measuring gauge	1109144	1109244	1109344	1109444	1109544	1109644	1109744	1109844	1109944

* DN 50 and DN 65 flange covers integrated in housing Pos. 1 to 4. Please specify exact type designation when inquiring or ordering!

Journal Flanges for K Rotor Connection



DN	K flange	Order No.	Inner ring	Order No.	Flat pack. Order No.	Ø A	Ø AD	Ø LK	AZ x Ø DB	Ø KD	Ø ID H8/h8	KB	Ø K G7/h8	O	EB
10	KF 10-0	1190430	IR 10-0	1190400	3512230	10	55	40	4x7	20	17	10	18	6	11
15	KF 15-0	1190431	IR 15-0	1190401	3512231	13	70	50	4x9	26	22	10	24	6	11
20	KF 20-0	1190432	IR 20-0	1190402	3512232	20	75	55	4x9	32	28	12	30	8	13
25	KF 25-0	1190433	IR 25-0	1190403	3512233	25	80	60	4x9	37	33	12	35	8	13
32	KF 32-0	1190434	IR 32-0	1190404	3512234	32	100	75	4x11	48	43	12	45	8	13
32	KF 32-500	1190434-500	IR 32-500	1190404-500	3512234	32	115	90	4x11	48	43	15	45	15	16
40	KF 40-0	1190435	IR 40-0	1190405	3512235	38	105	80	4x11	53	48	15	50	10	16
40	KF 40-500	1190435-500	IR 40-500	1190405-500	3512235	38	120	95	4x11	53	48	18	50	20	20
50	KF 50-0	1190436	IR 50-0	1190406	3512236	50	130	100	4x14	69	63	15	65	10	16
50	KF 50-500	1190436-500	IR 50-500	1190406-500	3512236	50	145	115	4x14	69	63	20	65	25	22
65	KF 65-0	1190437	IR 65-0	1190407	3512237	66	150	120	4x14	89	82	15	85	10	16
65	KF 65-500	1190437-500	IR 65-500	1190407-500	3512237	66	165	135	4x14	89	82	25	85	25	28
65	KF 65-37	1190437-037	IR 65-0	1190407	3512237	66	150	120	6x14	89	82	15	85	25	28
80	KF 80-0	1190438	IR 80-0	1190408	3512238	81	180	145	4x18	109	102	18	105	12	20
80	KF 80-500	1190438-500	IR 80-500	1190408-500	3512238	81	205	170	4x18	109	102	30	105	30	34
100	KF 100-0	1190439	IR 100-0	1190409	3512239	98	195	160	6x18	120	110	20	114	12	22
100	KF 100-500	1190439-500	IR 100-500	1190409-500	3512239	98	220	185	6x18	120	110	30	114	30	34
125	KF 125-0	1190450	IR 125-0	1190410	1190025	120	225	190	6x18	147	137	22	142	20	25
125	KF 125-500	1190450-500	IR 125-500	1190410-500	1190035	120	260	225	8x18	155	145	35	150	35	39
150	KF 150-0	1190451	IR 150-0	1190411	1190026	145	255	220	8x18	178	165	25	170	25	28
150	KF 150-500	1190451-500	IR 150-500	1190411-500	1190036	145	300	260	8x18	185	175	40	180	40	44
200	KF 200-0	1190452	IR 200-0	1190412	1190027	195	310	275	8x18	232	220	28	225	30	32
200	KF 200-500	1190452-500	IR 200-500	1190412-500	1190037	195	360	320	8x18	235	224	45	230	45	49
250	KF 250-0	1190453	IR 250-0	1190413	1190028	240	390	350	8x23	290	273	37	280	35	40
250	KF 250-500	1190453-500	IR 250-500	1190413-500	1190038	240	435	390	8x23	295	278	50	285	50	54
300	KF 300-0	1190454	IR 300-0	1190414	1190029	295	470	410	16x23	350	332	42	340	40	45

Versions KF...-0 and IR...-0:

DX/DXS	DN 10 – 80
DXSB	DN 50 – 80
DP	DN 40 – 50
H/HW	DN 15 – 100
HWB/A) ¹	DN 32 – 100
M	DN 15 – 100
DA	DN 50 – 300

Versions KF...-500 and IR...-500:

DXSB	DN 100 – 150
HWA	DN 100 – 300
DQ	DN 25 – 150

It is important to evenly tighten the screws.

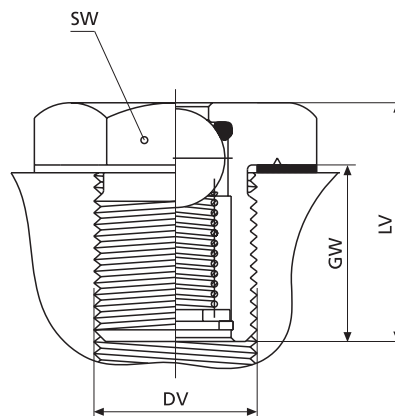
¹) KF65-0 only up to 210°C, 20 bar or 300°C, 10 bar.
For higher data use KF 65-37.

Other Accessories

Vacuum Breakers

Material: brass

- Vacuum breakers protect steam-heated rollers from damage caused by vacuum.
- The vacuum breakers are available as separate units or built into the rotary joint (version 3).
- The valve opens at a differential pressure of 0.3 bar.
- Max. temperatures 160° and 200°C.

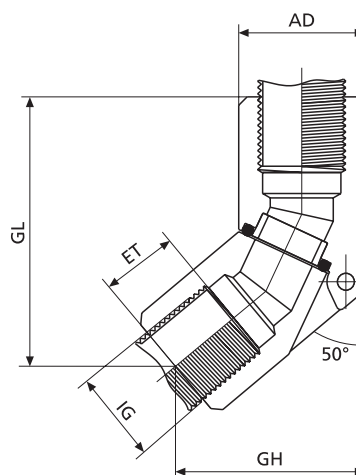


DV	G 1/2	G 1
Order No. Tmax. 160°C	1190010	1190020
Order No. Tmax. 200°C	1190010-231	1190020-232
LV	30	30
GW	22	19
SW	30	41
Order No. CU seal	3511954	3511962

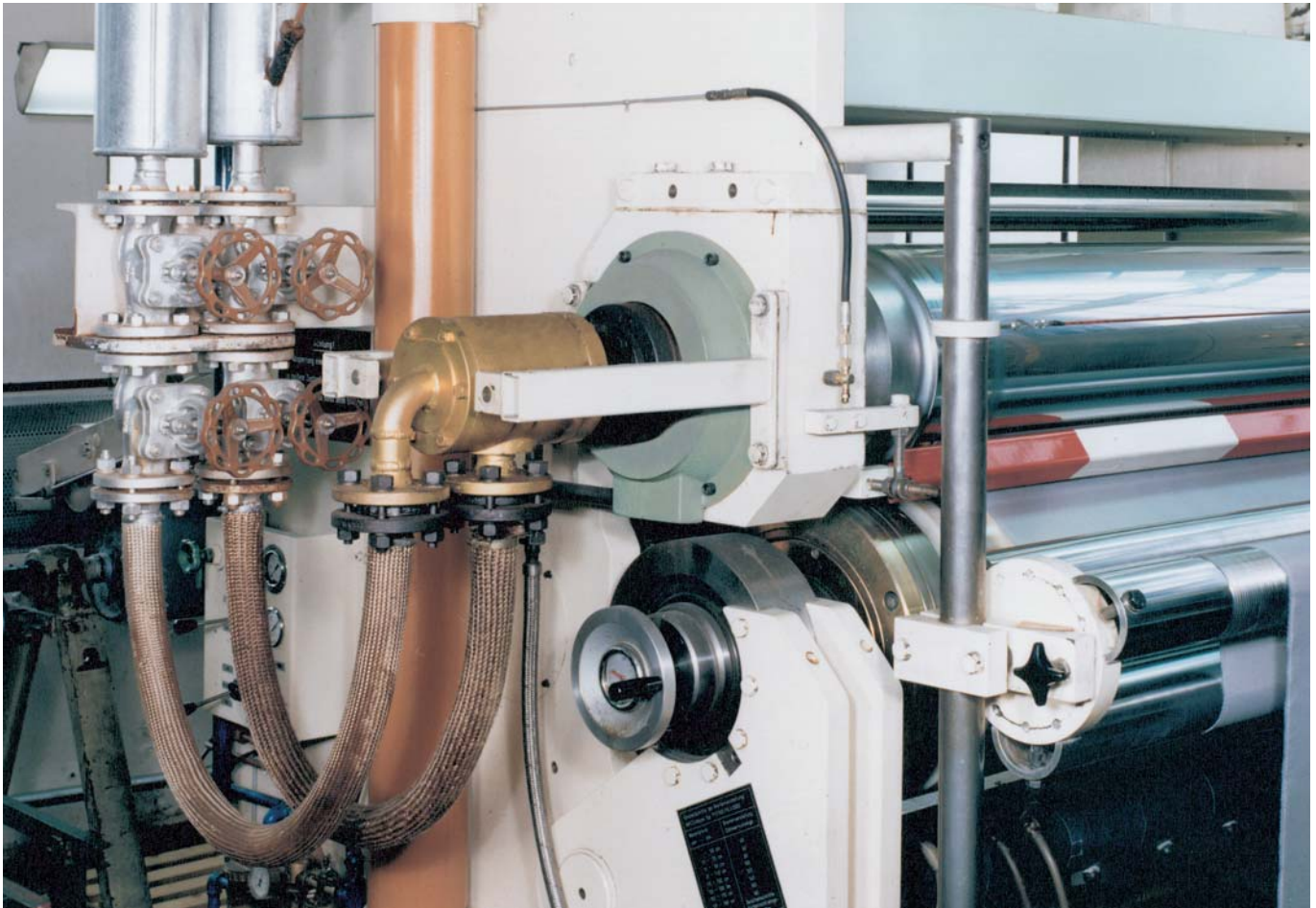
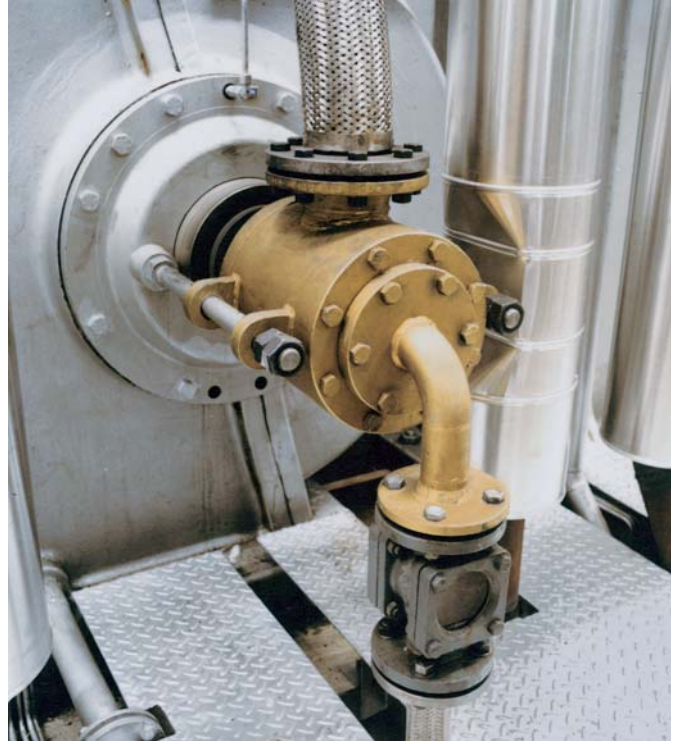
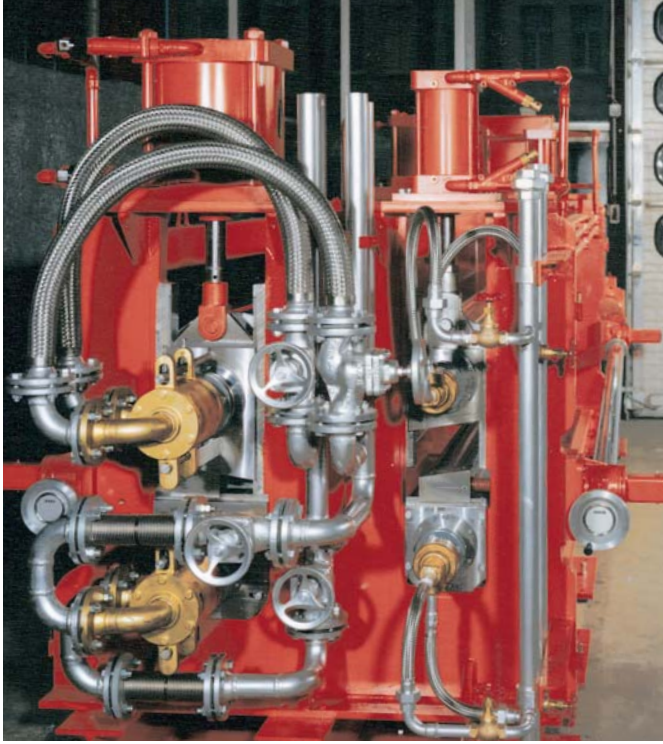
Toggle joints

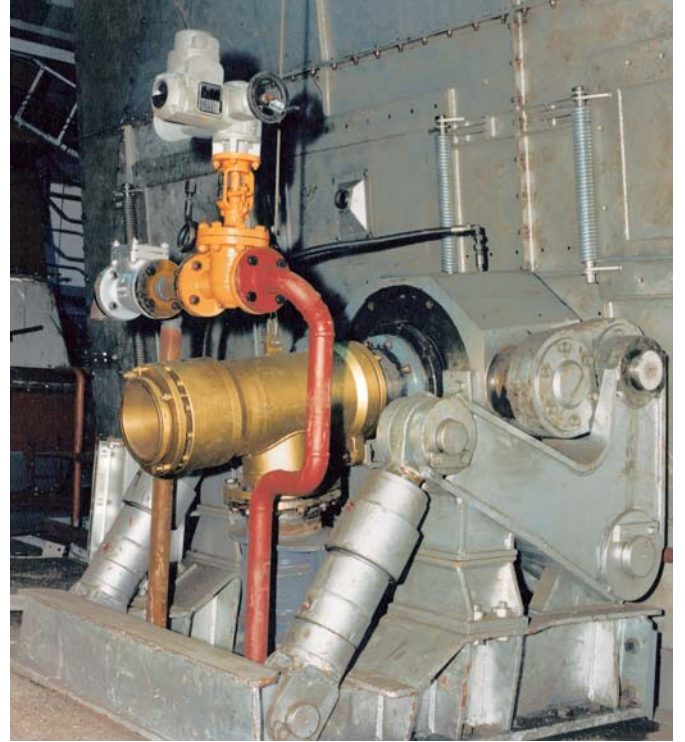
Material: brass

- Toggle joints facilitate the installation of siphon pipes in steam-heated rollers, in particular in narrow, long trunnion bores.
- Seals when bent.
- Max. temperature 160°C.



IG	G 1/4	G 3/8	G 1/2	G 3/4	G 1	G 1 1/2	G 2
Order No.	1190100	1190110	1190120	1190130	1190140	1190150	1190160
Ø AD	22	25	30	36	45	60	80
ET	12	15	18	20	22	30	35
GL	42,5	56	63	70	74	108	138
GH	31	37,5	45	50	57,5	81	104







**Christian Maier GmbH & Co. KG
Maschinenfabrik**

Wuerzburger Straße 67-69
D-89520 Heidenheim

P.O.Box 1609
D-89506 Heidenheim

☎ +49 (0) 73 21 / 317-0

✉ +49 (0) 73 21 / 317-139 (Export)

☎ 0 800 / 7 51 82 50

✉ +49 (0) 73 21 / 317-239

vkd@maier-heidenheim.de
www.maier-heidenheim.de

Branch Offices & Service Stations:

Maier Italia Srl

Via Enrico Toti 3
I-21040 Gerenzano (VA)

☎ +39-02-96 24 82 88

✉ +39-02-96 36 96 95

info@maier-italia.com
www.maier-italia.com

Maier America LLC

6649 Peachtree Industrial Blvd., Suite O
Norcross, GA 30092 - USA

☎ +1-770-409 0022

✉ +1-770-409 0069

info@maieramerica.com
www.maieramerica.com



novasys group Pty Ltd

po box 1150 mountain gate 3156 australia
31/756 burwood hwy ferntree gully 3156 australia

t: +61 3 9752 3766

f: +61 3 9752 3977

email: sales@novasys.com.au

website: www.novasys.com.au