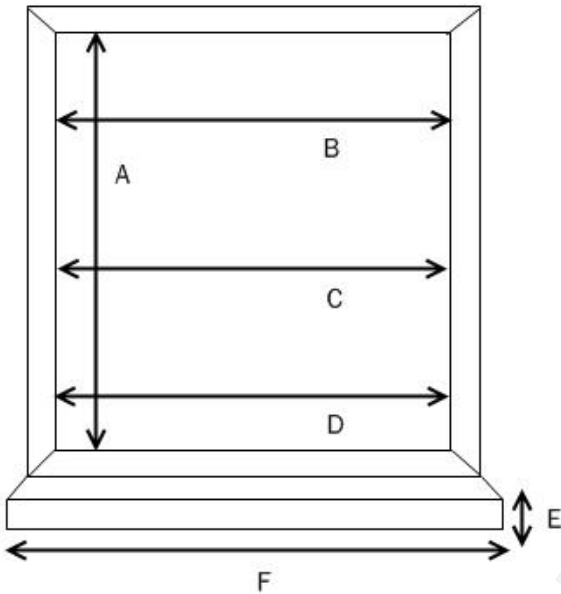


A guide to measuring for blinds

Before you measure, decide whether you want your blind inside window recess (sits inside the window) or outside window recess. Also consider if the window opens into the room or out. Measurements should be to the nearest mm

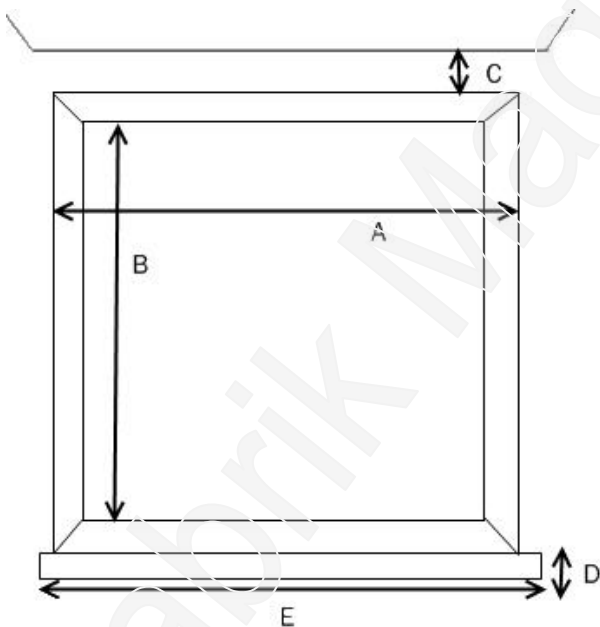
Inside A Window Recess

- First ensure that the recess your blind is going into is not obstructed in any way, so the blind can hang freely when fully extended.
- Make sure the recess is at least 75mm (3inches) deep; otherwise, it will not be able to accommodate the operating mechanism.



- A** Measure the length from the top to the bottom of the recess
Size in mm.....
- B** Measure the width inside the recess at the top of the window
Size in mm.....
- C/D** Measure the width at two points of the recess i.e. in the middle and at the bottom
C Size in mm.....
D Size in mm.....
- E** Measure the depth of the window cill
Size in mm.....
- F** Measure the length of the window cill
Size in mm.....

Outside a Window Recess



- A** Measure the width of the inside recess
Size in mm.....
- B** Measure the length from the top to the bottom of the recess
Size in mm.....
- C** Measure from the top of the recess to ceiling/cornice
Size in mm.....
- D** Measure the depth of the cill
Size in mm.....
- E** Measure the width of the window cill
Size in mm.....

Things to consider – Tiles around window/ New house /Old house (House construction i.e. – brick)etc
Gilt/Chrome/Bronze accessories.....

This is a guideline to obtain rough measurements only. Measurements should be confirmed before an order is processed.
Fabrik Magik Interiors cannot accept responsibility for clients' own measurements.