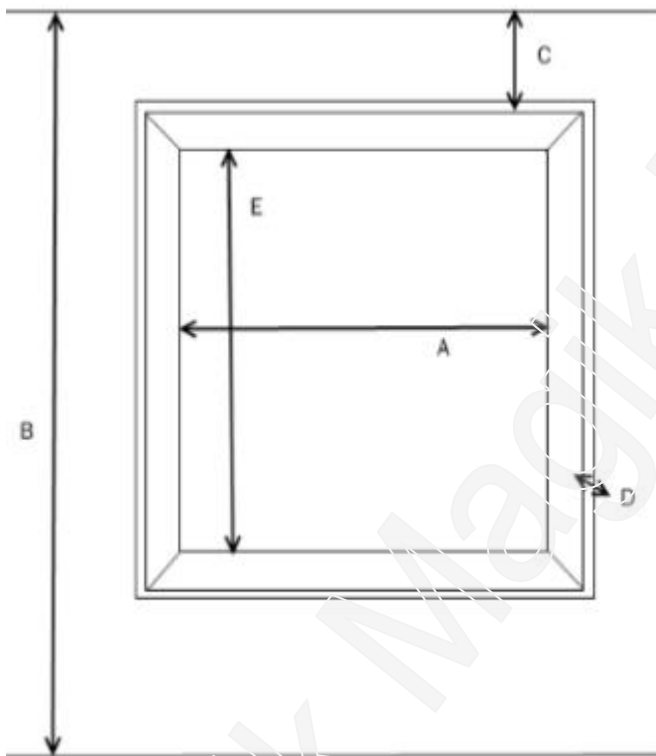


A guide to measuring for curtains

Always use a metal measuring tape to ensure measurements are as accurate as possible.
Measurements should be to the nearest mm.

Before you measure consider the following – (please answer in the spaces provided)

- Is there a radiator under the window and how far below if so?.....mm
- How much space is there either side of the window?
Right side.....mm Left Side.....mm
- Does the window open inwards or outwards?.....



- A -** Measure the width of the inside of the recess.
Size in mm.....
- B -** Measure the length from the floor to the ceiling/cornice
Size in mm.....
- C -** Measure the length from the top of the window to the ceiling/cornice
Size in mm.....
- D -** Measure the width of the frame
Size in mm.....
- E -** Measure the length of the recess
Size in mm.....

Things to consider – Tiles around window/ New house /Old house (House construction i.e. – brick)etc
Gilt/Chrome/Bronzeaccessories.....

This is a guideline to obtain rough measurements only. Measurements should be confirmed before an order is processed.
Fabrik Magik Interiors cannot accept responsibility for clients' own measurements