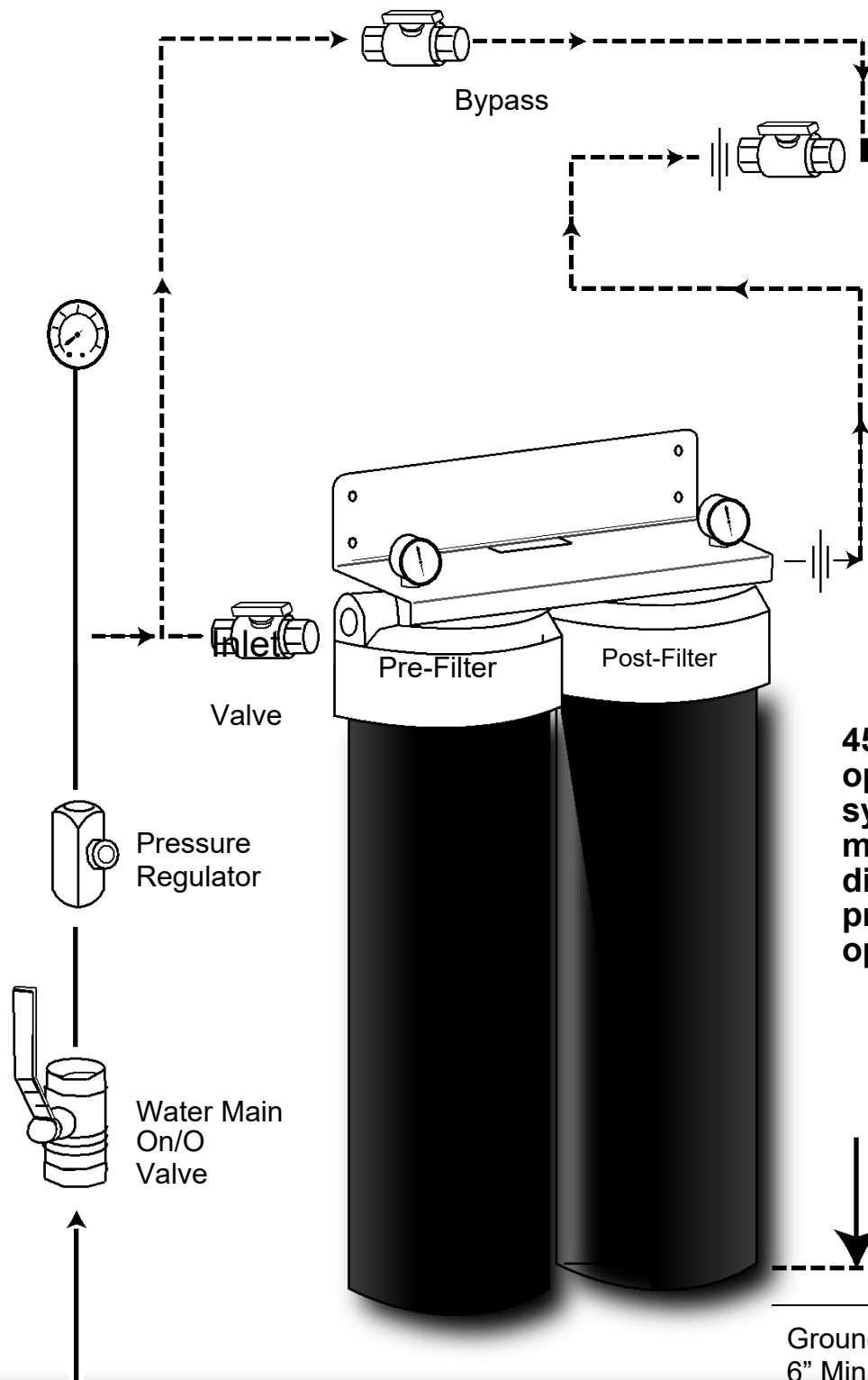


ElementFree Typical Installation Diagram



45,000 gallon recommended operating capacity. Some systems the inlet and outlet maybe facing the other direction and the post and pre-filter would be on opposite sides.

Ground Clearance
6" Minimum

Potable Water Line
Into Home / Business Supply
Line Typically @65 psi