



GT55 NI GROUND FLOOR TREATMENT SYSTEM

The GT55 NI aluminium ground floor treatment system is a non-insulated product for internal use in applications such as shopping centres, medical centres and other areas that require significant partitioning without the need for thermal insulation. The system offers all the same benefits as the GT55 TB system but without the thermal insulation and thus at a reduced price point.

DESIGN FEATURES

- Pocket or Bead glazed for ease of site glazing
- 110mm frame depth to accommodate varying types of applications
- Slim 55mm frame profile for increased glass appearance
- Ladder frame construction to enable easy on-site installation
- Fully compatible with other AluK systems

OPTIONS

- Can accommodate 6mm - 32mm sealed units for acoustic performance
- Wide range of hardware available offering full customisation
- Available in single or dual colour option, polyester powder coating and anodised finishes

CONFIGURATIONS

- Flexible design allows GT55 NI to be tailored to suit your project needs
- Varying mullion depths allowing a wide range of achievable lxx values
- Mullion depths ensures maximum structural optimisation
- Integration with glazed screens and doorsets
- Used as a ladder frame format for easy on site installation and factory assembly



GT55 NI GROUND FLOOR TREATMENT SYSTEM TECHNICAL SPECIFICATIONS

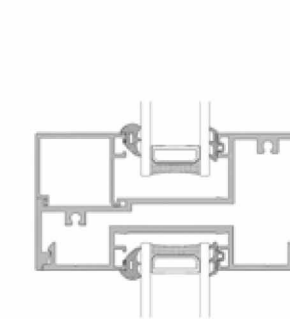
The GT55 NI aluminium ground floor treatment system has been designed in a ladder frame construction to provide a flexible solution for low rise applications and can be integrated with

other AluK systems. Sealed units of 6mm up to 32mm can be accommodated however without insulation this system is suitable for shop fronts and display windows.

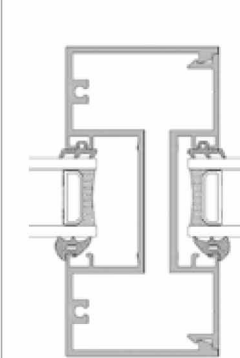
SPECIFICATIONS	NON-INSULATED SYSTEM
Performance & Accreditation	
U-Value (Double Glazing)*	2.1 W/m²K
U-Value (Triple Glazing)**	--
Green Guide Rating	C Rated
Acoustic Performance (dB)	npd
Air Tightness (Pa)	Class 4
Water Tightness (Pa)	Class 8A
Wind Load (Pa)	Class 5
Security	LPS 1175 SR2
Configurations	
Opening	--
Top Hung	●
Side Hung	●
Fixed Light	●
Tilt & Turn	--
Single Door	--
Double Door	--
Sliding Door	--
Design Features	
Max Vent Weight	--
Top Hung	180 Kg
Side Hung	55 Kg
Fixed Light	200 Kg
Tilt & Turn	100 Kg
Size Limits	
Frame Options	110mm
Dual Colour Option	--
Single Point Locking	●
Multi-Point Locking	--
Electro Mechanical Locking	●
Glazing Options	Pocket Glazed
Glazing Thickness	6mm - 32mm

CAD CROSS SECTION AND THERMAL PROFILE

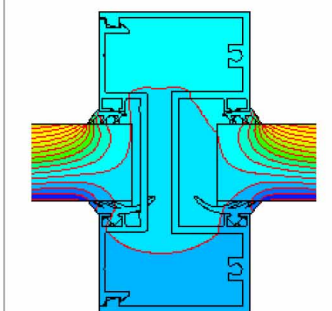
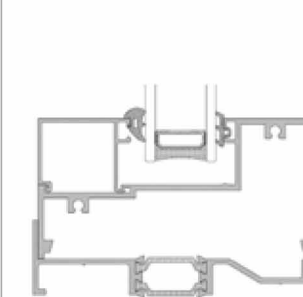
Transom Detail



Mullion Detail



Cill Detail



* Screen Uw-Values based on CEN size windows (1230mm x 1480mm) using 1.1 W/m²K double glazing with warm edge Swisspacer V bar.
LPS1175 SR2 Door includes 12mm TECDUR 4T.6PC Glass. Sound insulation values are Rw reduction values and are based on tests using acoustic glazing.