



## Product technical sheet (en)

Fireplace Stoves

**BRIT**



# Technical parameters

## Power output

Rated output (kW)	7
Controlled power (kW)	3,5 - 9

## Dimensions

Height (1) x Width (2) x Depth (3) (mm)	996 x 580 x 468
Maximum log length (mm)	340

## Weights depending on lining

Metal sheet (kg)	120
------------------	-----

## Air

Central air supply (7)	no
Secondary air supply / Secondary air control	yes / yes
Primary air control	yes
Tertiary air supply	yes
Air supply automatic control	no

## Parameters

Fuel: wood / wooden briquettes / brown coal briquettes [W / WB / BCB]	
Consumption of acceptable fuel at nominal capacity (kg/hour) [W / WB / BCB]	2,1 / 2,1 / 1,5
Heated volume (m <sup>3</sup> )	70 - 180
Energy power efficiency (%) [W / WB / BCB]	80 / 80 / 81
Minimum chimney draft (Pa)	12
Flue gases temperature (°C) [W / WB / BCB]	210 / 209 / 210
Weight flow of flue gases (g/s) [W / WB / BCB]	8,7 / 7,7 / 8,4
CO concentration at 13% O <sub>2</sub> (mg/Nm <sup>3</sup> ) [W / WB / BCB]	1193 / 1141 / 1100
NO <sub>x</sub> concentration at 13% O <sub>2</sub> (mg/Nm <sup>3</sup> ) [W / WB / BCB]	89 / 162 / 157
OGC concentration at 13% O <sub>2</sub> (mg/Nm <sup>3</sup> ) [W / WB / BCB]	65 / 69 / 68
Dust concentration at 13% O <sub>2</sub> (mg/Nm <sup>3</sup> ) [W / WB / BCB]	31 / 34 / 38
Continuous operation for 24 hours	yes
Multiple loading door closing	no

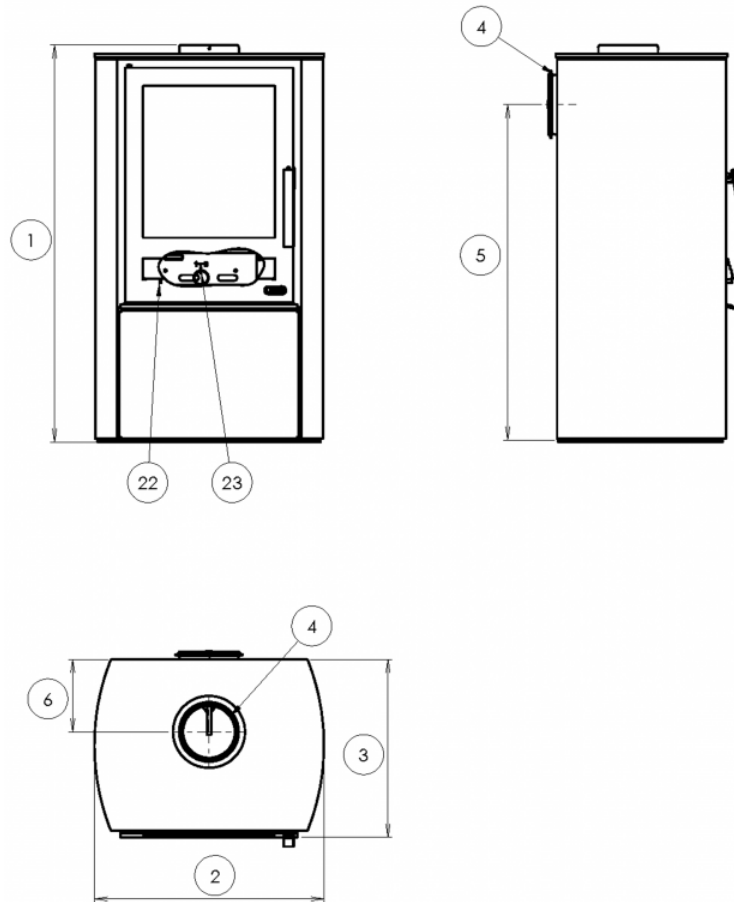
## Smoke duct

Smoke duct connection (4)	top/rear
Smoke duct diameter (mm)	Ø 150
Rear smoke duct axis height (5) (mm)	844
Distance of upper smoke duct axis (6) (mm)	181

## Tests

EN 13240:2001/A2:2004/AC:2007	yes
DIN+	yes
BvG §15a	yes
I. BImSchV Stufe 1	yes
I. BImSchV Stufe 2	yes

## Dimensional sketch



## Additional information

1	height	996 mm
2	width	580 mm
3	depth	468 mm
4	smoke duct	Ø 150 mm
5	rear smoke duct axis height	844 mm
6	distance of upper smoke duct axis	181 mm
22	burning intensity control - right open	
23	Fuel type switch: on the left - wood, wooden briquettes (secondary air) / on the right - brown coal briquettes (primary air)	

**Manufacturer: ABX, spol. s r.o., Žitná 1091/3, 408 01 Rumburk, Česká republika**  
tel.: 412 332 523, 412 333 614, fax: 412 333 521, e-mail: [info@abx.cz](mailto:info@abx.cz), web: [www.abx.cz](http://www.abx.cz)

Status as of: 15.1. 2016