

NORTHWEST CLASSICS LTD

HYDRAULIC SEAL PROFILES AND DIMENSIONS

Northwest Classics Ltd



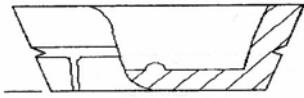
FOR SERVICE PARTS EMAIL. northwestclassic@btinternet.com
FOR HYDRAULIC PARTS EMAIL. hydraulicsales@btinternet.com
www.northwestclassic.co.uk www.northwestautomotivehydraulics.co.uk

ILLUSTRATIONS

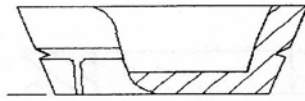
PROFILE TYPE	1
PROFILE TYPE	2
PROFILE TYPE	3
PROFILE TYPE	4
PROFILE TYPE	5
PROFILE TYPE	6
PROFILE TYPE	7
PROFILE TYPE	8
PROFILE TYPE	9
PROFILE TYPE	10
PROFILE TYPE	11
PROFILE TYPE	12
PROFILE TYPE	13
PROFILE TYPE	14
PROFILE TYPE	15
PROFILE TYPE	16
PROFILE TYPE	19
PROFILE TYPE	20
PROFILE TYPE	21
PROFILE TYPE	22
PROFILE TYPE	23
PROFILE TYPE	24
PROFILE TYPE	25
PROFILE TYPE	26
PROFILE TYPE	27
PROFILE TYPE	28
PROFILE TYPE	29
PROFILE TYPE	30
PROFILE TYPE	31
PROFILE TYPE	32
PROFILE TYPE	33
PROFILE TYPE	34
PROFILE TYPE	35

NORTHWEST CLASSICS LTD

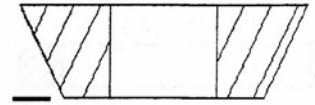
TYPE 1



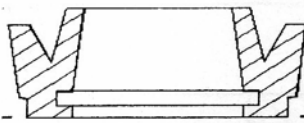
TYPE 2



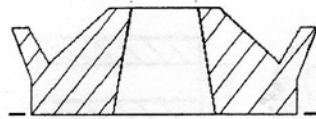
TYPE 3



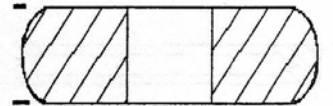
TYPE 4



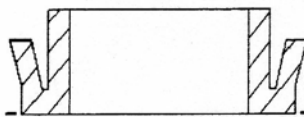
TYPE 5



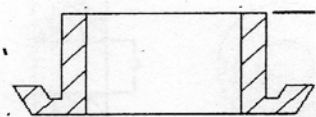
TYPE 6



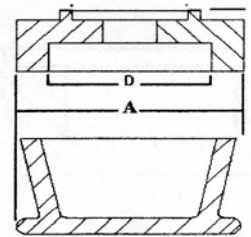
TYPE 7



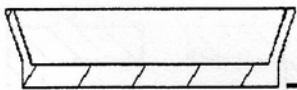
TYPE 8



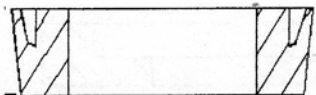
TYPE 9



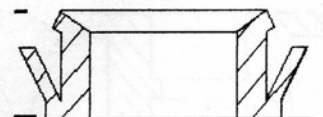
TYPE 10



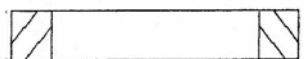
TYPE 11



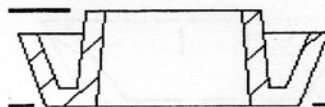
TYPE 12



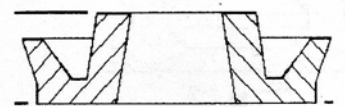
TYPE 13



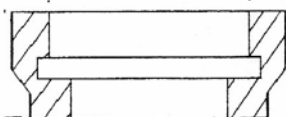
TYPE 14



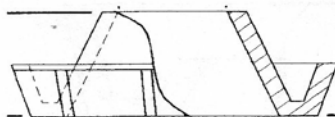
TYPE 15



TYPE 16



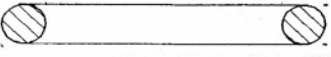
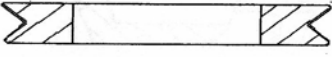
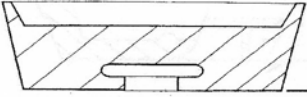
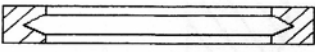
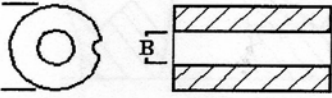
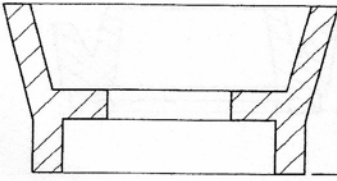
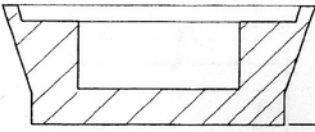
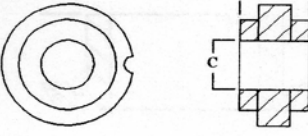
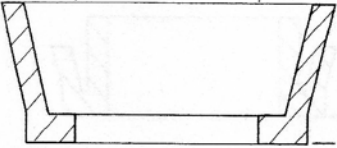
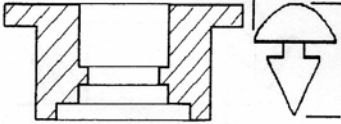
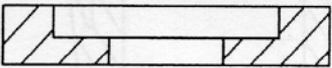
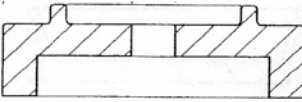
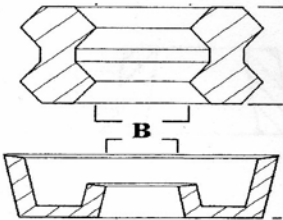
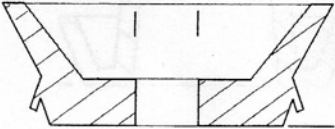
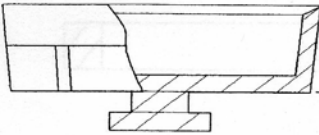
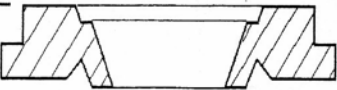
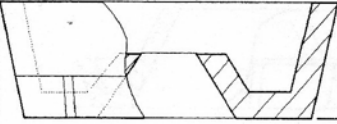
TYPE 17



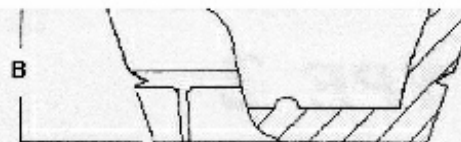
TYPE 18



NORTHWEST CLASSICS LTD

<p>TYPE 19</p> 	<p>TYPE 20</p> 	<p>TYPE 21</p> 
<p>TYPE 22</p> 	<p>TYPE 23</p> 	<p>TYPE 24</p> 
<p>TYPE 25</p> 	<p>TYPE 26</p> 	<p>TYPE 27</p> 
<p>TYPE 28</p> 	<p>TYPE 29</p> 	<p>TYPE 30</p> 
<p>TYPE 31</p> 	<p>TYPE 32</p> 	<p>TYPE 33</p> 
<p>TYPE 34</p> 	<p>TYPE 35</p> 	

TYPE 1 NORTHWEST CLASSICS LTD

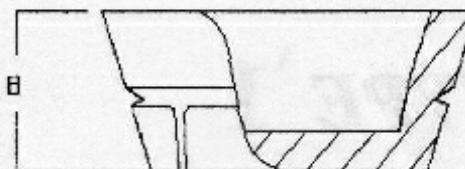


PART No	BORE	B	APPLICATION
----------------	-------------	----------	--------------------

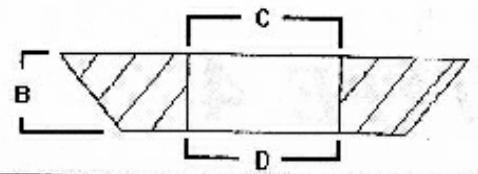
33301-1701	17.4 MM	8.9 MM	A.T.E
33301-1908	19.0 MM	7.1 MM	A.T.E
371054	19.0 MM	9.1 MM	DBA
373104	19.0 MM	4.4 MM	DBA
371004	19.0 MM	9.1 MM	DBA
371055	20.6 MM	9.0 MM	DBA
33301-2002	20.6 MM	7.2 MM	A.T.E
371002	22.2 MM	9.5 MM	DBA
373100	22.2 MM	4.5 MM	DBA
64510-01143	23.8 MM	7.0 MM	TOYOTA
33301-2301	23.8 MM	9.5 MM	A.T.E
33301-2501	25.5 MM	9.5 MM	A.T.E
33301-2801	28.6 MM	9.8 MM	A.T.E
371025	38.1 MM	11.3 MM	DBA
371005	44.4 MM	11.3 MM	DBA

TYPE 2

NORTHWEST CLASSICS LTD



PART No	BORE	B	INFO	BORE	B	APPLICATION
P5793				15.8 MM	8.9 MM	REPCO PBR
106419				15.8 MM	7.4 MM	AP LOCKHEED
P6927				15.8 MM	5.1 MM	REPCO PBR
107126				17.8 MM	8.1 MM	AP LOCKHEED
P5170				19.0 MM	8.0 MM	REPCO PBR
33301-1923				19.0 MM	7.1 MM	A.T.E
P5135				20.6 MM	9.5 MM	REPCO PBR
P983				25.4 MM	9.6 MM	REPCO PBR
P13494				25.4 MM	7.8 MM	REPCO PBR
112				25.4 MM	9.6 MM	AP LOCKHEED
P4504				27.0 MM	9.6 MM	REPCO PBR
33301-2804				28.6 MM	11.3 MM	A.T.E
P28				28.6 MM	8.0 MM	REPCO PBR
212				31.7 MM	11.2 MM	AP LOCKHEED
P970				31.7MM	10.2 MM	REPCO PBR
1724				50.8 MM	11.3 MM	AP LOCKHEED

TYPE 3 **NORTHWEST CLASSICS LTD**

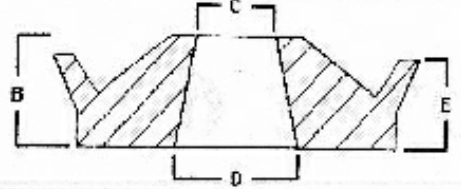
PART NO.	BORE	C	D	B	MAKE
362433	15.8 MM	9.8 MM	9.8 MM	2.5 MM	GIRLING
750	17.4 MM	11.8 MM	13.2 MM	2.7 MM	AP LOCKHEED
81124	17.4 MM	10.5 MM	10.5 MM	5.0 MM	AP LOCKHEED
P4667A	17.8 MM	12.3 MM	12.3 MM	2.8 MM	REPRO PBR
P4526	19.0 MM	11.5 MM	11.5 MM	5.0 MM	REPCO PBR
P4410A	19.0 MM	12.8 MM	12.8 MM	2.8 MM	REPCO PBR
P4308	20.3 MM	12.1 MM	14.4 MM	5.5 MM	REPCO PBR
P4646A	22.2 MM	14.1 MM	14.4 MM	3.3 MM	REPCO PBR
83918	22.2 MM	14.6 MM	14.4 MM	5.1 MM	AP LOCKHEED
P5979A	22.2 MM	17.7 MM	15.7 MM	2.8 MM	REPCO PBR
3871-738	22.2 MM	16.1 MM	16.1 MM	2.9 MM	AP LOCKHEED
P4553	23.8 MM	14.4 MM	14.4 MM	5.5 MM	REPCO PBR
362530	25.4 MM	16.3 MM	16.3 MM	5.6 MM	GIRLING

NORTHWEST CLASSICS LTD**TYPE 4**

PART NO.	BORE	C	D	B	E	TYPE
P6929A	15.8 MM	9.4 MM	9.9 MM	6.6 MM	6.2 MM	REPCO PBR
P8120A	17.4 MM	10.6 MM	10.6 MM	8.2 MM	7.7 MM	REPCO PBR
107127	17.8 MM	11.4 MM	12.8 MM	9.5 MM	7.3 MM	AP LOCKHEED
37374	19.0 MM	12.0 MM	12.8 MM	9.5 MM	7.6 MM	AP LOCKHEED
P6912A	19.0 MM	11.4 MM	10.8 MM	7.6 MM	7.2 MM	REOCO PBR
FD3737A	19.0 MM	12.0 MM	12.8 MM	9.5 MM	7.6 MM	SEIKEN
87366	22.2 MM	13.3 MM	13.8 MM	9.5 MM	7.3 MM	AP LOCKHEED
SD1678R5	22.22 MM	12.5 MM	13.00 MM	8.0 MM	NA	SEIKEN
3863-432	23.8 MM	14.5 MM	15.1 MM	9.8 MM	7.2 MM	AP LOCKHEED

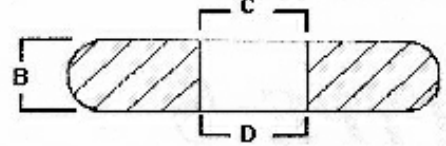
TYPE 5

NORTHWEST CLASSICS LTD

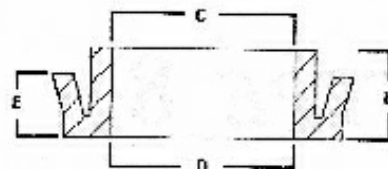


PART NO.	BORE	C	D	B	E	TYPE
64490347	9.5 MM	4.3 MM	5.0 MM	3.9 MM	3.3 MM	GIRLING
64490394	12.7 MM	5.1 MM	5.7 MM	4.1 MM	3.5 MM	GIRLING
64674346	14.4 MM	5.7 MM	6.6 MM	6.00 MM	5.1 MM	GIRLING
64677891	15.8 MM	6.5 MM	7.6 MM	6. MM	5.3 MM	GIRLING
2661050	15.8 MM	6.5 MM	7.6 MM	6.3 MM	5.2 MM	GIRLING
64673747	17.8 MM	7.7 MM	8.5 MM	6.6 MM	5.5 MM	GIRLING
362434	17.8 MM	7.4 MM	8.5 MM	6.4 MM	5.0 MM	GIRLING
362453	19.0 MM	7.5 MM	8.5 MM	6.3 MM	5.1 MM	GIRLING
64673678	19.0 MM	7.5 MM	8.5 MM	6.0 MM	5.0 MM	GIRLING
64676896	19.0 MM	8.8 MM	10.2 MM	6.1 MM	4.6 MM	GIRLING
6618	19.0 MM	8.8 MM	9.8 MM	5.5 MM	4.7 MM	REPCO PBR
P5897	20.6 MM	8.8 MM	10.4 MM	6.7 MM	5.4 MM	REPCO PBR
64673913	20.6 MM	9.4 MM	10.6 MM	6.7 MM	5.9 MM	GIRLING
64673629	20.6 MM	10.1 MM	10.9 MM	6.6 MM	5.0 MM	GIRLING
362476	22.2 MM	9.9 MM	10.9 MM	7.3 MM	7.1 MM	GIRLING
64675623	22.2 MM	10.7 MM	11.5 MM	6.3 MM	5.4 MM	GIRLING
64678635	22.2 MM	13.6 MM	16.0 MM	4.6 MM	4.2 MM	GIRLING
3871-503	22.2 MM	14.4 MM	14.9 MM	5.8 MM	5.7 MM	AP LOCKHEED
3871-720	23.8 MM	13.0 MM	14.9 MM	5.5 MM	4.8 MM	AP LOCKHEED
36199-0131	23.8 MM	6.5 MM	8.6 MM	8.1 MM	4.6 MM	A.T.E
373121	25.4 MM	11.7 MM	12.8 MM	6.7 MM	6.0 MM	DBA BENDIX
64674598	25.4 MM	11.3 MM	12.7 MM	6.7 MM	6.1 MM	GIRLING
P5552	28.6 MM	17.8 MM	20.3 MM	7.6 MM	6.8 MM	REPCO PBR
64673858	28.6 MM	16.2 MM	16.8 MM	6.8 MM	6.4 MM	GIRLING
64510-51110	28.6 MM	15.2 MM	17.7 MM	8.5 MM	7.1 MM	TOYOTA
64673913	31.7 MM	19.4 MM	20.7 MM	6.7 MM	6.2 MM	GIRLING
64677298	31.7 MM	19.3 MM	20.8 MM	6.7 MM	6.4 MM	GIRLING
SC30233R	33.3 MM	17.1 MM	17.5 MM	8.8 MM	8.6 MM	SIEKEN
64675297	38.1 MM	26.0 MM	27.4 MM	6.6 MM	6.0 MM	GIRLING
64674522	38.1 MM	25.8 MM	26.9 MM	6.7 MM	5.9 MM	GIRLING

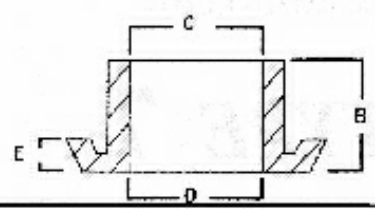
TYPE 6 NORTHWEST CLASSICS LTD



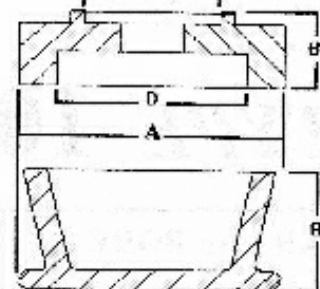
PART NO.	BORE	C	D	B	TYPE
P4396	19.0 MM	10.9 MM	10.9 MM	4.1 MM	REPCO PBR
P4412	22.2 MM	14.7 MM	14.7 MM	4.8 MM	REPCO PBR
P4243	25.4 MM	16.1 MM	16.1 MM	6.0 MM	REPCO PBR
P4271	28.3 MM	19.0 MM	19.1 MM	6.5 MM	PEPCO PBR

TYPE 7**NORTHWEST CLASSICS LTD**

PART NO.	BORE	C	D	B	E	TYPE
64677640	15.8 MM	8.8 MM	8.8 MM	5.7 MM	3.7 MM	GIRLING
64677447	17.8 MM	10.8 MM	10.8 MM	5.8 MM	3.6 MM	GIRLING
64676572	19.0 MM	12.1 MM	12.1 MM	5.6 MM	3.7 MM	GIRLING
64677534	20.6 MM	13.8 MM	13.8 MM	5.7 MM	3.6 MM	GIRLING
2232660147	22.2 MM	15.5 MM	15.5 MM	5.7 MM	3.6 MM	GIRLING
64677355	22.2 MM	15.5 MM	15.6 MM	5.7 MM	3.6 MM	GIRLING
SD40209R	22.2 MM	13.6 MM	13.9 MM	5.7 MM	3.5 MM	SIEKEN
64678027	23.8 MM	16.8 MM	17.6 MM	6.0 MM	3.8 MM	GIRLING
64677359	25.4 MM	18.3 MM	19.2 MM	5.8 MM	3.9 MM	GIRLING
74660413	25.4 MM	18.4 MM	18.8 MM	5.7 MM	3.5 MM	GIRLING
74660418	25.4 MM	18.3 MM	18.5 MM	5.7 MM	3.5 MM	GIRLING
H28308	27.0 MM	17.8 MM	18.6 MM	5.9 MM	4.3 MM	FAG SCHAFFER

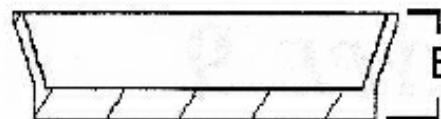
TYPE 8**NORTHWEST CLASSICS LTD**

PART NO.	BORE	C	D	B	E	TYPE
64673521	25.4 MM	15.8 MM	15.8 MM	8.5 MM	3.3 MM	GIRLING
362552	38.1 MM	28.2 MM	28.2 MM	8.5 MM	3.5 MM	GIRLING
362572	44.4 MM	34.3 MM	34.3 MM	7.0 MM	4.7 MM	GIRLING
P6138	47.6 MM	37.3 MM	37.8 MM	7.0 MM	4.7 MM	REPCO PBR
362583	50.8 MM	37.5 MM	37.5 MM	7.7 MM	4.9 MM	GIRLING

TYPE 9**NORTHWEST CLASSICS LTD**

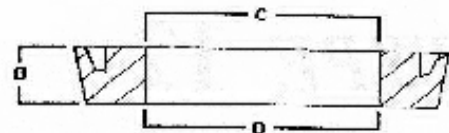
PART No	A	C	D	B	INFO
---------	---	---	---	---	------

PART NO.	A	C	D	B	TYPE
P5074	8.9 MM	4.3 MM	6.1 MM	4.4 MM	REPCO PBR
362801	10.1 MM	7.2 MM	5.0 MM	4.5 MM	GIRLING
362802	11.0 MM	7.6 MM	4.8 MM	4.0 MM	GIRLING
308	11.9 MM			7.0 MM	AP LOCKHEED
608	11.9 MM			8.2 MM	AP LOCKHEED
33318-2400	13.4 MM			8.2 MM	A.T.E
P7126	13.6 MM	6.1 MM	6.1 MM	11.4 MM	REPCO PBR
3866-423	15.8 MM	6.6 MM	10.3 MM	12.0 MM	AP LOCKHEED
P4663	16.8 MM	NYLON		17.3 MM	REPCO PBR
P4828	17.5 MM	10.6 MM	12.0 MM	12.2 MM	REPCO PBR
100977	18.0 MM			10.2 MM	AP LOCKHEED
33318-6300	18.1 MM	6.5 MM	6.5 MM	8.2 MM	A.T.E
P5800	18.3 MM	5.1 MM	5.1 MM	6.0 MM	REPCO PBR
P5844	18.4 MM	4.8 MM	4.8 MM	5.7 MM	REPCO PBR
P4366Z	19.0 MM	9.6 MM	9.6 MM	5.2 MM	REPCO PBR
109882	25.4 MM	18.0 MM	21.0 MM	4.2 MM	AP LOCKHEED
B109882	25.4 MM	17.6 MM	21.0 MM	4.0 MM	AP LOCKHEED

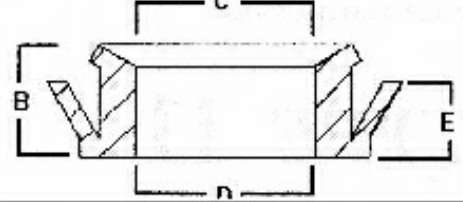
TYPE 10**NORTHWEST CLASSICS LTD**

PART NO	BORE	B	INFO
31250	14.3 MM	6.4 MM	AP
33401-1401	14.3 MM	6.8 MM	A.T.E
9964	15.8 MM	7.1 MM	AP
33401-1701	17.4 MM	6.6 MM	A.T.E
SC4667R	18.3 MM	5.7 MM	SIEKEN
33401-1901	19.0 MM	7.1 MM	A.T.E
P6990	19.0 MM	6.1 MM	REPCO
586	22.2 MM	8.0 MM	AP
373114	22.2 MM	7.8 MM	BENDIX
SC47546R	22.2 MM	7.0 MM	SIEKEN
SC47546R	22.2 MM	7.4 MM	SIEKEN
9080	23.8 MM	7.9 MM	AP
131	25.4 MM	7.4 MM	AP
SC1144	25.4 MM	7.2 MM	SIEKEN
FC1219	27.0 MM	7.2 MM	SIEKEN
23562	27.0 MM	5.1 MM	AP
2762	28.6 MM	7.2 MM	AP
1277	34.9 MM	8.1 MM	AP

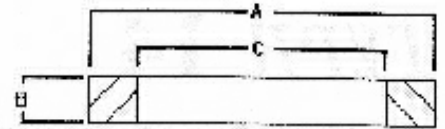
TYPE 11 NORTHWEST CLASSICS LTD



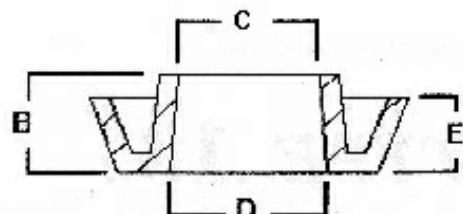
PART NO.	BORE	C	D	B	TYPE
87143	9.5 MM	4.0 MM	4.8 MM	3.3 MM	AP
33402-1421	14.3 MM	9.1 MM	9.1 MM	3.9 MM	A.T.E
P5126	15.0 MM	9.3 MM	10.0 MM	3.7 MM	REPCO
3871-447	17.8 MM	8.4 MM	8.8 MM	3.9 MM	AP
VBO-5069	19.0 MM	11.4 MM	11.4 MM	5.1 MM	BENDIX
962200	19.0 MM	7.6 MM	7.6 MM	6.0 MM	GIRLING
P7529	19.0 MM	10.4 MM	11.7 MM	6.5 MM	REPCO
85946	19.0 MM	6.0 MM	7.5 MM	6.5 MM	AP
3871-479	20.6 MM	11.2 MM	11.6 MM	4.0 MM	AP
3871-486	22.2 MM	12.7 MM	13.3 MM	3.8 MM	AP
64490228	22.2 MM	6.0 MM	7.2 MM	6.5 MM	GIRLING
P7205	23.8 MM	15.3 MM	16.4 MM	3.2 MM	REPCO
3871-745	23.8 MM	11.6 MM	12.5 MM	4.9 MM	AP
362503	25.4 MM	11.7 MM	12.7 MM	7.0 MM	GIRLING
P5388	25.4 MM	14.8 MM	14.8 MM	5.8 MM	REPCO
33302-0005	25.4 MM	13.2 MM	14.1 MM	4.0 MM	A.T.E
P8832	24.4 MM	10.2 MM	12.7 MM	7.6 MM	REPCO
H2830	28.5 MM	18.3 MM	18.8 MM	5.0 MM	FAG
3875-436	38.1 MM	15.7 MM	16.5 MM	10.9 MM	AP

TYPE 12**NORTHWEST CLASSICS LTD**

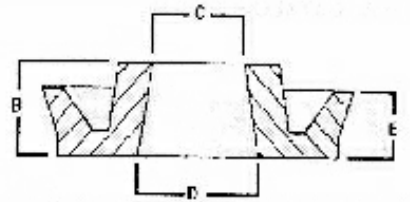
PART NO.	BORE	C	D	B	E	TYPE
33402-1501	15.8 MM	9.0 MM	9.0 MM	6.3 MM	3. MM	A.T.E
33402-1701	17.8 MM	10.2 MM	10.2 MM	6.6 MM	3.2 MM	A.T.E
H17310	17.8 MM	10.4 MM	10.4 MM	6.0 MM	3.7 MM	FAG
P5807	17.8 MM	9.0 MM	9.0 MM	6.6 MM	3.8 MM	REPCO
374233	17.8 MM	10.8 MM	10.8 MM	6.7 MM	3.7 MM	BENDIX
33402-1908	19.0 MM	10.8 MM	10.8 MM	6.6 MM	3.8 MM	A.T.E
33402-1905	19.0 MM	10.4 MM	10.4 MM	6.5 MM	4.0 MM	A.T.E
33402-2001	20.6 MM	11.1 MM	11.1 MM	6.2 MM	3.7 MM	A.T.E
33402-2008	20.6 MM	11.9 MM	11.9 MM	6.2 MM	3.6 MM	A.T.E
33402-2201	22.2 MM	13.7 MM	13.7 MM	6.5 MM	3.7 MM	A.T.E
33402-2305	23.8 MM	15.2 MM	15.2 MM	7.2 MM	3.5 MM	A.T.E
33402-2501	23.8 MM	15.0 MM	15.2 MM	6.7 MM	3.9 MM	A.T.E
P13491A	25.4 MM	15.5MM	15.5 MM	9.3 MM	7.1 MM	REPCO
33402-2801	27.0 MM	17.6 MM	17.6 MM	7.9 MM	5.0 MM	A.T.E
H28320	28.6 MM	18.2 MM	18.2 MM	9.4 MM	6.0 MM	FAG
H31310	31.7 MM	21.3 MM	21.3 MM	8.0 MM	8.0 MM	FAG
SC80093	36.6 MM	18.6 MM	19.7 MM	10.6 MM	8.1 MM	SIEKEN
P8807	38.1 MM	25.4 MM	25.4 MM	10.5 MM	7.0 MM	REPCO

TYPE 13**NORTHWEST CLASSICS LTD**

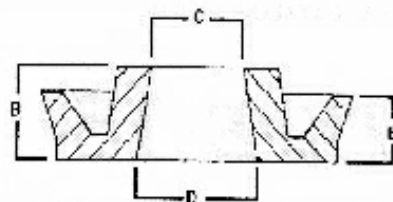
PART NO.	A	C	B	TYPE
P6448	38.35 MM	32.51 MM	3.17 MM	REPCO
64326117	40.74 MM	34.74 MM	3.17 MM	GIRLING
3853-741	42.5 MM	36.50 MM	3.17 MM	AP LOCKHEED
P4767	42.42 MM	36.06 MM	3.17 MM	REPCO
P6444	44.32 MM	38.60 MM	3.17 MM	REPCO
64325811	46.4 MM	40.71 MM	3.17 MM	GIRLING
P4750	47.37 MM	41.27 MM	3.17 MM	REPCO
P4720	49.2 MM	43.05 MM	3.17 MM	REPCO
96497	50.72 MM	44.70 MM	3.17 MM	AP LOCKHEED
P6447	54.1 MM	48.13 MM	3.17 MM	REPCO
64326116	54.35 MM	48.0 MM	3.17 MM	GIRLING
P4715	57.65 MM	50.1 MM	3.17 MM	REPCO
3854-749	58.8 MM	52.6 MM	3.17 MM	AP LOCKHEED
P4722	61.46 MM	55.5 MM	3.17 MM	REPCO
P4703	63.5 MM	56.51 MM	3.17 MM	REPCO
64325091	65.21 MM	50.04 MM	3.17 MM	GIRLING
P626	65.0 MM	59.0 MM	3.17 MM	REPCO
64322617	66.85 MM	61.1 MM	3.17 MM	GIRLING
33301-2804	69.16 MM	63.0 MM	3.17 MM	A.T.E

TYPE 14

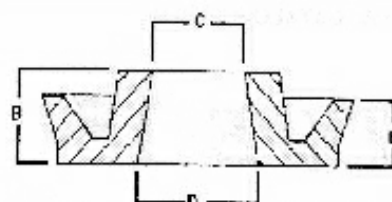
PART.	BORE	C	D	B	E	TYPE
FC4519	7.6 MM	5.2 MM	5.2 MM	3.1 MM	3.1 MM	SIEKEN
100977	15.8 MM	8.7 MM	10.0 MM	3.3 MM	3.2 MM	AP
P6968	15.8 MM	7.4 MM	8.2 MM	4.3 MM	4.1 MM	REPCO
FD2101A	15.8 MM	7.6 MM	8.9 MM	6.6 MM	5.7 MM	SIEKEN
SD30393R	15.8 MM	7.1 MM	8.4 MM	4.9 MM	4.6 MM	SIEKEN
3871-481	17.8 MM	6.9 MM	7.3 MM	4.8 MM	3.8 MM	AP
64678460	17.8 MM	9.0 MM	10.0 MM	5.0 MM	3.9 MM	GIRLING
P7915	17.8 MM	6.6 MM	7.9 MM	5.0 MM	4.0 MM	REPCO
P4657	19.0 MM	10.0 MM	11.0 MM	5.5 MM	4.5 MM	REPCO
64678380	19.0 MM	10.7 MM	11.1 MM	5.5 MM	4.0 MM	GIRLING
3871-482	19.0 MM	8.0 MM	8.6 MM	4.9 MM	3.6 MM	AP
362451	19.0 MM	8.5 MM	9.4 MM	6.0 MM	5.6 MM	GIRLING
64678325	20.6 MM	11.3 MM	11.9 MM	5.0 MM	3.8 MM	GIRLING
3871-483	20.6 MM	9.8 MM	10.2 MM	4.8 MM	3.8 MM	AP
374224	20.6 MM	12.1 MM	12.7 MM	5.3 MM	4.1 MM	BENDIX
33301-2221	22.2 MM	12.8 MM	13.6 MM	4.7 MM	4.4 MM	A.T.E
374247	22.2 MM	14.0 MM	14.0 MM	5.1 MM	4.0 MM	BENDIX
P7763	22.2 MM	11.3 MM	11.9 MM	4.9 MM	3.9 MM	REPCO
33301-2233	22.2 MM	13.1 MM	13.1 MM	5.1 MM	3.9 MM	A.T.E
362473	22.2 MM	10.0 MM	10.9 MM	7.0 MM	7.0 MM	GIRLING
SD40073R	23.8 MM	13.4 MM	14.4 MM	6.3 MM	3.6 MM	SIEKEN
SD40923R	23.8 MM	14.4 MM	15.5 MM	4.7 MM	3.4 MM	SIEKEN
P7091	23.8 MM	13.1 MM	14.0 MM	6.1 MM	4.0 MM	REPCO
P7730	23.8 MM	15.7 MM	15.7 MM	4.1 MM	3.7 MM	REPCO
374236	25.4 MM	14.6 MM	17.0 MM	4.5 MM	4.3 MM	BENDIX
33406-2400	25.4 MM	7.8 MM	8.4 MM	7.9 MM	7.3 MM	A.T.E
98677	25.4 MM	6.0 MM	7.6 MM	7.3 MM	7.2 MM	AP
SD60293R	26.0 MM	13.0 MM	14.1 MM	3.6 MM	3.6 MM	SIEKEN
74660918	27.0 MM	16.5 MM	18.0 MM	4.8 MM	3.6 MM	GIRLING
P4514	28.6 MM	18.2 MM	19.5 MM	9.1 MM	8.4 MM	REPCO
P613	28.6 MM	12.7 MM	14.0 MM	8.1 MM	7.8 MM	REPCO
372985	28.6 MM	9.6 MM	10.2 MM	8.2 MM	7.3 MM	BENDIX
P4562	31.7 MM	7.0 MM	8.5 MM	6.0 MM	5.3 MM	REPCO
3874-420	31.7 MM	20.4 MM	22.5 MM	8.8 MM	7.8 MM	AP
362530	33.3 MM	13.3 MM	14.5 MM	9.4 MM	7.7 MM	GIRLING
SD60194	37.0 MM	29.6 MM	30.0 MM	4.3 MM	3.3 MM	SIEKEN
362560	39.7 MM	12.9 MM	14.5 MM	9.5 MM	7.8 MM	GIRLING
SD40505	41.3 MM	28.5 MM	28.5 MM	7.5 MM	5.1 MM	BENDIX
362180	63.7 MM	50.0 MM	52.4 MM	8.0 MM	7.9 MM	GIRLING

TYPE 15

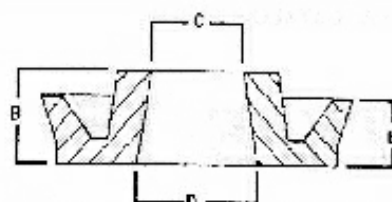
PART.	BORE	C	D	B	E	TYPE
SD1067	7.9 MM	1.8 MM	2.3 MM	4.1 MM	3.5 MM	SIEKEN
371020	9.0 MM	4.0 MM	4.3 MM	4.0 MM	3.3 MM	DBA
33304-1300	12.7 MM	4.2 MM	4.8 MM	4.2 MM	3.7 MM	A.T.E
P8626	12.7 MM	6.0 MM	7.4 MM	4.4 MM	2.8 MM	REPCO
H1431	14.3 MM	9.6 MM	10.0 MM	3.8 MM	3.5 MM	FAG
P7489	20.0 MM	11.1 MM	11.6 MM	5.1 MM	4.0 MM	REPCO
P7585	14.4 MM	7.3 MM	6.9 MM	5.0 MM	4.2 MM	REPCO
P5125	15.0 MM	5.0 MM	6.0 MM	6.4 MM	6.4 MM	REPCO
SD30383R	15.8 MM	7.3 MM	8.3 MM	5.5 MM	4.6 MM	SIEKEN
3871-492	15.8 MM	9.2 MM	9.5 MM	4.2 MM	3.3 MM	AP
3871-502	15.8 MM	9.1 MM	9.1 MM	5.1 MM	4.1 MM	AP
P5067	15.8 MM	7.0 MM	7.6 MM	5.6 MM	4.5 MM	REPCO
P7069	15.8 MM	7.0 MM	7.9 MM	5.5 MM	5.0 MM	REPCO
33301-1637	16.2 MM	7.4 MM	8.0 MM	4.8 MM	4.0 MM	A.T.E
3871-504	17.4 MM	10.0 MM	10.5 MM	5.5 MM	5.5 MM	AP
P6507	17.4 MM	8.2 MM	9.0 MM	5.0 MM	3.7 MM	REPCO
33301-1733	17.4 MM	8.2 MM	9.4 MM	5.0 MM	4.3 MM	A.T.E
33301-1734	17.4 MM	8.2 MM	9.2 MM	5.0 MM	4.2 MM	A.T.E
P8605	17.4 MM	4.3 MM	6.0 MM	6.4 MM	5.8 MM	REPCO
SC20533R	17.4 MM	7.9 MM	8.9 MM	5.8 MM	5.4 MM	SIEKEN
90947-01153	17.4 MM	8.1 MM	9.1 MM	6.0 MM	4.6 MM	TOYOTA
90947-01065	17.4 MM	4.4 MM	5.9 MM	6.7 MM	6.3 MM	TOYOTA
90947-01102	17.4 MM	9.1 MM	9.6 MM	5.6 MM	4.3 MM	TOYOTA
P7074	17.4 MM	7.7 MM	8.1 MM	6.3 MM	5.7 MM	REPCO
P7333	17.8 MM	10.4 MM	11.5 MM	4.7 MM	4.2 MM	REPCO
P7553	17.8 MM	10.8 MM	11.2 MM	4.4 MM	3.1 MM	REPCO
P7115	17.8 MM	7.7 MM	8.2 MM	4.7 MM	4.0 MM	REPCO
P8294	17.8 MM	8.3 MM	10.8 MM	4.6 MM	4.2 MM	REPCO
30624-28500	17.8 MM	7.6 MM	7.6 MM	8.6 MM	6.0 MM	NISSAN
P7912	17.8 MM	10.0 MM	11.0 MM	5.7 MM	5.7 MM	REPCO
P7913	17.8 MM	8.0 MM	9.5 MM	4.0 MM	4.0 MM	REPCO
33301-1722	17.8 MM	8.1 MM	8.8 MM	5.3 MM	3.9 MM	REPCO
3871-448	17.8 MM	10.0 MM	11.4 MM	5.3 MM	4.7 MM	AP
P8342	17.8 MM	12.5 MM	14.0 MM	3.3 MM	2.9 MM	REPCO

TYPE 15

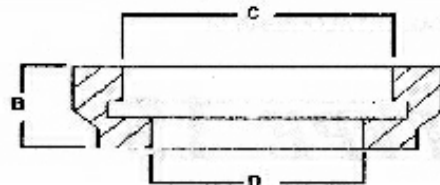
PART.	BORE	C	D	B	E	TYPE
FC4516	19.0 MM	8.6 MM	9.8 MM	6.7 MM	5.2 MM	SIEKEN
3871-478	19.0 MM	9.1 MM	9.6 MM	4.0 MM	4.0 MM	AP
H1932	19.0 MM	11.8 MM	12.2 MM	4.5 MM	4.1 MM	FAG
SD50443R	19.0 MM	10.5 MM	11.7 MM	5.0 MM	4.2 MM	SIEKEN
P5179	19.0 MM	8.8 MM	9.1 MM	5.7 MM	4.7 MM	REPCO
P6130	19.0 MM	9.7 MM	10.5 MM	5.1 MM	3.7 MM	REPCO
P5858	19.0 MM	9.6 MM	10.4 MM	5.0 MM	3.9 MM	REPCO
74660918	19.0 MM	7.9 MM	9.0 MM	6.8 MM	6.2 MM	GIRLING
P6127	19.0 MM	11.2 MM	12.7 MM	6.0 MM	5.7 MM	REPCO
SC4510R	19.0 MM	9.1 MM	9.8 MM	6.5 MM	5.0 MM	SIEKEN
44112-P0211	19.0 MM	9.1 MM	9.6 MM	6.5 MM	5.2 MM	NISSAN
H19316	19.0 MM	10.7 MM	11.6 MM	4.6 MM	3.6 MM	FAG
P7472	19.0 MM	10.2 MM	12.2 MM	4.8 MM	4.3 MM	REPCO
SC1707R	19.0 MM	8.3 MM	8.9 MM	6.8 MM	6.1 MM	SIEKEN
5184-00999	19.0 MM	8.0 MM	8.7 MM	6.7 MM	6.7 MM	NISSAN
P6622	19.0 MM	9.3 MM	10.2 MM	4.4 MM	3.6 MM	REPCO
P6967	19.0 MM	8.7 MM	9.4 MM	7.3 MM	5.1 MM	REPCO
P8275	19.0 MM	10.8 MM	11.4 MM	6.6 MM	6.6 MM	REPCO
SD31475R	19.0 MM	10.8 MM	11.3 MM	5.8 MM	4.4 MM	SIEKEN
H19315	19.0 MM	10.7 MM	11.1 MM	5.0 MM	4.3 MM	FAG
SC60073R	19.0 MM	8.8 MM	10.0 MM	6.4 MM	5.5 MM	SIEKEN
3871-738	20.3 MM	11.0 MM	12.8 MM	8.3 MM	5.3 MM	AP
33301-2202	20.6 MM	11.2 MM	11.8 MM	5.1 MM	3.8 MM	A.T.E
P7489	20.6 MM	11.1 MM	11.6 MM	5.1 MM	4.0 MM	REPCO
P7481	20.6 MM	15.5 MM	12.4 MM	6.4 MM	5.4 MM	REPCO
P7908	20.6 MM	10.6 MM	10.9 MM	4.5 MM	3.8 MM	REPCO
P9436	20.6 MM	5.6 MM	7.7 MM	7.2 MM	7.2 MM	REPCO
P7538	20.6 MM	12.3 MM	13.2 MM	5.8 MM	4.8 MM	REPCO
P7906	20.6 MM	10.0 MM	11.2 MM	4.4 MM	3.9 MM	REPCO
P8166	20.6 MM	12.0 MM	13.8 MM	5.1 MM	3.7 MM	REPCO
SC4521	20.6 MM	9.6 MM	10.9 MM	6.8 MM	5.4 MM	SIEKEN
P7366	20.6 MM	13.3 MM	14.3 MM	4.0 MM	3.0 MM	REPCO
33301-2060	20.6 MM	10.8 MM	11.2 MM	4.2 MM	4.2 MM	A.T.E
374333	20.6 MM	12.0 MM	12.8 MM	4.0 MM	2.5 MM	FAG

TYPE 15**NORTHWEST CLASSICS LTD**

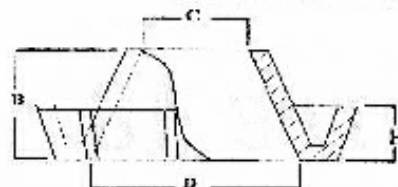
PART.	BORE	C	D	B	E	TYPE
SC80733R	20.6 MM	8.8 MM	10.1 MM	7.7 MM	6.2 MM	SIEKEN
SD40333R	22.2 MM	13.0 MM	13.8 MM	7.7 MM	5.7 MM	SIEKEN
P7534	22.2 MM	12.0 MM	13.1 MM	5.0 MM	4.2 MM	REPCO
P8326	22.2 MM	13.0 MM	13.5 MM	7.9 MM	5.7 MM	REPCO
H22300	22.2 MM	12.9 MM	13.4 MM	5.6 MM	4.9 MM	FAG
P6017V	22.2 MM	12.6 MM	13.3 MM	5.2 MM	3.8 MM	REPCO
362470	22.2 MM	9.3 MM	11.2 MM	7.0 MM	7.0 MM	GIRLING
P4697	22.2 MM	8.5 MM	10.2 MM	6.0 MM	5.8 MM	REPCO
3871-439	22.2 MM	13.6 MM	15.5 MM	6.7 MM	5.9 MM	AP
P6283	22.2 MM	9.8 MM	10.8 MM	7.0 MM	6.1 MM	REPCO
P6285	22.2 MM	11.1 MM	11.8 MM	6.9 MM	5.6 MM	REPCO
P6292	22.2 MM	13.2 MM	13.8 MM	5.0 MM	4.0 MM	REPCO
P7484	22.2 MM	13.7 MM	15.5 MM	4.6 MM	4.0 MM	REPCO
P7866	22.2 MM	13.0 MM	13.7 MM	5.2 MM	3.8 MM	REPCO
SD80723R	22.2 MM	13.2 MM	13.8 MM	5.8 MM	4.6 MM	SIEKEN
SD40643R	22.2 MM	12.7 MM	13.5 MM	7.7 MM	5.4 MM	SIEKEN
SC80613R	22.2 MM	9.0 MM	10.0 MM	7.3 MM	6.6 MM	SIEKEN
P7548	23.8 MM	14.7 MM	15.7 MM	5.9 MM	4.6 MM	REPCO
3871-506	23.8 MM	16.1 MM	16.5 MM	5.7 MM	5.7 MM	AP
3872-719	23.8 MM	12.9 MM	14.6 MM	6.8 MM	5.8 MM	AP
33402-2505	23.8 MM	13.9 MM	14.9 MM	6.3 MM	6.4 MM	A.T.E
33402-2305	23.8 MM	13.9 MM	14.9 MM	6.3 MM	6.1 MM	A.T.E
3871-447	23.8 MM	13.5 MM	14.5 MM	6.4 MM	6.4 MM	AP
P6474	23.8 MM	8.1 MM	9.7 MM	7.2 MM	6.9 MM	REPCO
P5251	23.8 MM	11.3 MM	12.5 MM	7.7 MM	6.7 MM	REPCO
33301-2336	23.8 MM	14.4 MM	15.2 MM	5.1 MM	3.7 MM	A.T.E
SD50463R	23.8 MM	17.0 MM	17.5 MM	4.8 MM	4.0 MM	SIEKEN
SC60053R	23.8 MM	13.4 MM	15.0 MM	7.0 MM	6.0 MM	SIEKEN
36199-0131	23.8 MM	6.8 MM	8.4 MM	8.1 MM	4.7 MM	A.T.E
SC47565	23.8 MM	9.1 MM	9.7 MM	7.7 MM	6.6 MM	SIEKEN
SD47644R	23.8 MM	11.9 MM	12.9 MM	7.5 MM	5.3 MM	SIEKEN
362021	25.4 MM	15.0 MM	16.5 MM	5.8 MM	5.2 MM	GIRLING
P4659	25.4 MM	15.7 MM	16.3 MM	6.8 MM	6.3 MM	REPCO
362500	25.4 MM	11.7 MM	13.1 MM	7.2 MM	7.2 MM	GIRLING
P5473	25.4 MM	14.5 MM	15.6 MM	4.6 MM	4.0 MM	REPCO
P5438	25.4 MM	13.7 MM	15.2 MM	8.4 MM	7.8 MM	REPCO
P5092	25.4 MM	13.0 MM	13.9 MM	8.0 MM	7.1 MM	REPCO
H2337	25.4 MM	14.9 MM	15.7 MM	5.9 MM	4.7 MM	FAG
P7188	25.4 MM	14.2 MM	16.1 MM	6.6 MM	5.8 MM	REPCO

TYPE 15 NORTHWEST CLASSICS LTD

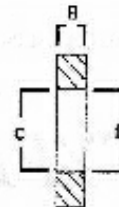
PART.	BORE	C	D	B	E	TYPE
33301-2547	25.4 MM	15.7 MM	16.5 MM	4.7 MM	3.7 MM	A.T.E
P6131	27.0 MM	15.9 MM	17.8 MM	5.5 MM	4.8 MM	REPCO
SC40553R	27.0 MM	12.4 MM	13.1 MM	7.3 MM	6.1 MM	SIEKEN
362042	28.6 MM	18.8 MM	19.8 MM	5.6 MM	5.6 MM	GIRLING
3874-419	28.6 MM	18.9 MM	22.2 MM	8.8 MM	7.2 MM	AP
P8275	28.6 MM	12.1 MM	13.4 MM	9.0 MM	6.8 MM	REPCO
SC40123	28.6 MM	12.2 MM	13.2 MM	8.9 MM	6.8 MM	SIEKEN
SC4523R	28.6 MM	14.7 MM	16.1 MM	8.4 MM	7.3 MM	SIEKEN
P4390	30.1 MM	12.1 MM	13.5 MM	8.4 MM	7.8 MM	REPCO
P5983	30.1 MM	19.9 MM	21.3 MM	8.1 MM	7.5 MM	REPCO
64510-01172	30.1 MM	12.0 MM	13.4 MM	8.4 MM	6.8 MM	NISSAN
90947-01067	30.1 MM	18.5 MM	20.0 MM	6.2 MM	6.2 MM	NISSAN
362060	31.7 MM	19.7 MM	22.5 MM	7.5 MM	7.1 MM	GIRLING
3874-418	31.7 MM	20.3 MM	21.8 MM	8.7 MM	8.3 MM	AP
3872-725	31.7 MM	20.7 MM	21.9 MM	8.1 MM	7.3 MM	AP
362100	34.9 MM	24.5 MM	26.4 MM	6.2 MM	6.2 MM	GIRLING
P6455	34.9 MM	23.0 MM	24.8 MM	7.7 MM	7.0 MM	REPCO
3874-419	34.9 MM	24.0 MM	26.0 MM	8.0 MM	7.4 MM	AP
P5980	38.1 MM	27.8 MM	27.8 MM	8.4 MM	7.5 MM	REPCO
P14507	38.1 MM	26.0 MM	26.8 MM	8.8 MM	7.9 MM	REPCO
P7171	43.1 MM	29.2 MM	31.4 MM	9.1 MM	8.2 MM	REPCO
3876-408	42.8 MM	30.7 MM	32.1 MM	9.0 MM	8.4 MM	AP
SC80205	42.8 MM	26.9 MM	28.5 MM	11.1 MM	7.6 MM	SIEKEN
362570	44.4 MM	33.9 MM	35.1 MM	6.3 MM	6.3 MM	GIRLING
362140	50.8 MM	37.5 MM	38.7 MM	7.9 MM	7.9 MM	GIRLING
362160	57.1 MM	43.6 MM	45.7 MM	7.9 MM	7.9 MM	GIRING

TYPE 16

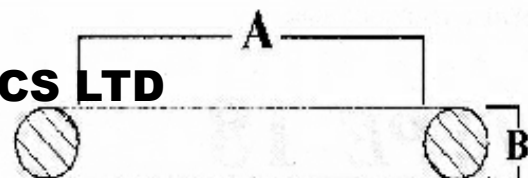
PART.	BORE	C	D	B	TYPE
362430	15.8 MM	9.0 MM	7.7 MM	6.8 MM	GIRLING
33302-1501	15.8 MM	13.3 MM	8.8 MM	8.0 MM	A.T.E
P5064A	15.8 MM	12.2 MM	10.3 MM	6.2 MM	REPCO
P5222A	15.8 MM	12.7 MM	10.5 MM	5.5 MM	REPCO
33302-1701	17.4 MM	14.7 MM	11.0 MM	7.6 MM	A.T.E
362040	19.0 MM	13.5 MM	10.8 MM	6.7 MM	GIRLING
P4345A	19.0 MM	15.7 MM	12.0 MM	7.4 MM	REPCO
P631A	19.0 MM	14.2 MM	11.7 MM	7.4 MM	REPCO
P6896	19.0 MM	16.0 MM	13.0 MM	4.1 MM	REPCO
FD2105R	19.0 MM	14.7 MM	11.9 MM	6.6 MM	SIEKEN
372040	20.6 MM	17.2 MM	13.1 MM	6.6 MM	BENDIX
33302-2201	22.2 MM	17.9 MM	13.8 MM	8.1 MM	A.T.E
372002	22.2 MM	17.8 MM	13.3 MM	7.1 MM	BENDIX
33302-2301	23.8 MM	20.3 MM	15.5 MM	7.1 MM	A.T.E
362502	25.4 MM	21.0 MM	15.2 MM	7.0 MM	GIRLING
33302-2502	25.4 MM	21.0 MM	15.5 MM	7.6 MM	A.T.E
33302-2503	25.4 MM	20.8 MM	14.4 MM	8.9 MM	A.T.E
372034	25.4 MM	20.3 MM	14.2 MM	7.5 MM	BENDIX
33302-2601	27.0 MM	23.1 MM	14.4 MM	7.2 MM	A.T.E
P29A	28.6 MM	22.5 MM	16.8 MM	7.3 MM	REPCO
33302-2801	28.6 MM	24.4 MM	16.6 MM	7.9 MM	A.T.E
3863-430	31.7 MM	26.9 MM	20.6 MM	7.1 MM	AP
33302-3101	31.7 MM	27.0 MM	20.8 MM	7.1 MM	A.T.E
33401-2301	38.1 MM	32.1 MM	27.8 MM	6.9 MM	A.T.E
33302-3801	38.1 MM	33.5 MM	24.0 MM	9.5 MM	A.T.E
64674288	38.1 MM	30.4 MM	25.0 MM	8.0 MM	GIRLING
6042	44.4 MM	39.0 MM	31.8 MM	8.2 MM	AP
6935	50.8 MM	46.2 MM	39.2 MM	7.9 MM	AP

TYPE 17

PART.	BORE	C	D	B	E	TYPE
90947-01244	15.8 MM	7.4 MM	8.4 MM	4.2 MM	3.6 MM	NISSAN
SD80853R	15.8 MM	7.5 MM	8.0 MM	4.1 MM	3.1 MM	SIEKEN
33301-1621	16.5 MM	7.3 MM	7.7 MM	5.0 MM	3.7 MM	A.T.E
P7334	17.4 MM	8.3 MM	9.3 MM	4.7 MM	4.0 MM	REPCO
P7596	17.4 MM	5.5 MM	6.0 MM	5.5 MM	5.0 MM	REPCO
P7113	17.4 MM	7.4 MM	7.8 MM	5.4 MM	3.3 MM	REPCO
90947-01103	17.4 MM	8.3 MM	9.1 MM	5.1 MM	3.9 MM	NISSAN
33301-1721	17.8 MM	8.4 MM	9.0 MM	5.1 MM	4.2 MM	A.T.E
3871-452	17.8 MM	6.6 MM	7.9 MM	5.2 MM	5.2 MM	AP
P6650	19.0 MM	8.6 MM	9.1 MM	4.5 MM	3.7 MM	REPCO
SD50563R	19.0 MM	7.0 MM	8.0 MM	4.6 MM	3.5 MM	SIEKEN
3871-424	19.0 MM	6.8 MM	8.1 MM	6.1 MM	5.5 MM	AP
3871-451	20.6 MM	7.1 MM	8.0 MM	7.1 MM	6.4 MM	AP
P7107	20.6 MM	8.2 MM	8.7 MM	5.1 MM	3.9 MM	REPCO
P7079	20.6 MM	9.7 MM	10.4 MM	5.0 MM	4.0 MM	REPCO
SD60043R	20.6 MM	10.6 MM	11.8 MM	4.6 MM	3.6 MM	SIEKEN
3871-427	22.2 MM	9.9 MM	11.5 MM	6.5 MM	5.3 MM	AP
P6893	22.2 MM	8.2 MM	9.0 MM	4.6 MM	3.9 MM	REPCO
P6287	22.2 MM	10.2 MM	11.2 MM	6.3 MM	5.1 MM	REPCO
P7867	22.2 MM	10.1 MM	11.1 MM	5.7 MM	3.8 MM	REPCO
SD50583R	22.2 MM	9.2 MM	10.0 MM	5.1 MM	3.5 MM	SIEKEN
SD1679R	22.2 MM	11.3 MM	12.3 MM	4.5 MM	3.5 MM	SIEKEN
SD80793R	23.8 MM	12.3 MM	13.1 MM	4.5 MM	3.6 MM	SIEKEN
7871-474	23.8 MM	11.9 MM	13.0 MM	4.9 MM	4.9 MM	AP
P7089	23.8 MM	12.2 MM	13.2 MM	5.1 MM	4.0 MM	REPCO
VS-11661	23.8 MM	13.7 MM	14.5 MM	5.7 MM	3.9 MM	BENDIX
P6064	23.8 MM	14.2 MM	14.8 MM	4.9 MM	4.2 MM	REPCO
SD50593R	23.8 MM	9.5 MM	10.2 MM	5.0 MM	3.5 MM	SIEKEN
SD40913R	23.8 MM	12.3 MM	13.0 MM	4.1 MM	3.5 MM	SIEKEN
SD40593R	23.8 MM	12.3 MM	13.5 MM	5.2 MM	3.6 MM	SIEKEN
P5444	25.4 MM	15.0 MM	16.3 MM	4.7 MM	3.7 MM	REPCO
90947-01169	25.4 MM	15.0 MM	16.1 MM	5.2 MM	4.0 MM	NISSAN
33301-2604	27.0 MM	7.6 MM	8.5 MM	9.6 MM	9.5 MM	A.T.E
90947-01188	27.0 MM	15.7 MM	16.1 MM	4.4 MM	4.2 MM	NISSAN
5718	30.7 MM	10.4 MM	11.0 MM	9.5 MM	9.5 MM	AP
9503	31.7 MM	13.2 MM	14.4 MM	8.8 MM	8.8 MM	AP
5718	31.7 MM	10.2 MM	11.2 MM	9.4 MM	9.4 MM	AP
10591	38.1 MM	16.3 MM	17.0 MM	11.4 MM	11.4 MM	AP

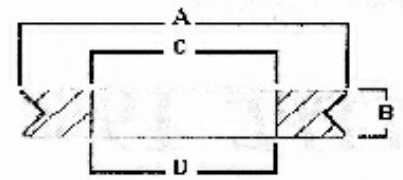
TYPE 18**NORTHWEST CLASSICS LTD**

PART NO	A	C	D	B	INFO
P6923Z	16.5 MM	9.5 MM	9.5 MM	3.2 MM	REPCO
P4599Z	18.8 MM	7.3 MM	7.3 MM	3.2 MM	REPCO
P4544Z	19.0 MM	9.8 MM	9.8 MM	3.0 MM	REPCO
93858-10	19.0 MM	12.6 MM	12.6 MM	2.9 MM	AP
93858	19.5 MM	13.3 MM	13.3 MM	1.6 MM	AP
3852-430	20.3 MM	11.3 MM	11.3 MM	4.8 MM	AP
362551	20.6 MM	12.9 MM	12.9 MM	3.2 MM	GIRLING
93858-14	22.2 MM	16.2 MM	16.2 MM	1.6 MM	AP
P4479Z	25.4 MM	12.9 MM	12.9 MM	4.8 MM	REPCO
P14423Z	25.4 MM	13.2 MM	13.2 MM	4.8 MM	REPCO
3854-762	28.5 MM	19.3 MM	19.3 MM	5.8 MM	AP
P5820	28.0 MM	24.0 MM	24.0 MM	3.1 MM	REPCO
P14425Z	30.1 MM	17.5 MM	17.5 MM	4.8 MM	REPCO
64328558	33.5 MM	20.4 MM	20.4 MM	3.1 MM	GIRLING
P14426Z	34.9 MM	18.0 MM	18.0 MM	4.7 MM	REPCO
64328190	38.1 MM	20.3 MM	20.3 MM	3.0 MM	GIRLING
VBO-8087	42.0 MM	24.1 MM	24.1 MM	3.4 MM	BENDIX
P7460	42.8 MM	26.9 MM	26.9 MM	3.2 MM	REPCO
P7560	44.6 MM	24.9 MM	24.9 MM	2.3 MM	REPCO
88502	50.7 MM	39.6 MM	39.6 MM	3.2 MM	AP
VBO-8081	54.0 MM	35.9 MM	35.9 MM	3.4 MM	BENDIX
VBO-8306	57.1 MM	39.1 MM	39.1 MM	3.3 MM	BENDIX
64328754	64.0 MM	45.4 MM	45.4 MM	3.1 MM	GIRLING
3854-752	75.6 MM	55.5 MM	55.5 MM	2.2 MM	AP

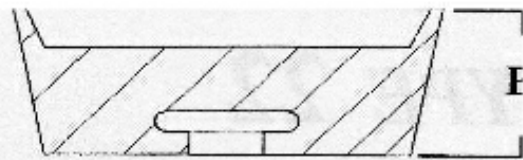
NORTHWEST CLASSICS LTD**TYPE 19**

PART NO	A	B	INFO
OR141033	4.5 MM	1.8 MM	REPCO
SC4510R	6.1 MM	1.8 MM	SIEKEN
3855-744	12.4 MM	2.6 MM	AP
OR141216	17.1 MM	2.6 MM	REPCO
3855-814	20.2 MM	3.5 MM	AP
31593	25.0 MM	2.5 MM	AP
OR141277	40.9 MM	2.6 MM	REPCO

NORTHWEST CLASSICS LTD

TYPE 20

PART NO	A	C	D	B	INFO
3865-411	7.5 MM	4.0 MM	4.0 MM	1.7 MM	AP
P5834	18.0 MM	12.8 MM	12.8 MM	2.6 MM	REPCO
64675297	19.0 MM	13.3 MM	13.3 MM	3.2 MM	GIRLING
P5833	19.6 MM	14.4 MM	14.4 MM	2.6 MM	REPCO
P6120	20.6 MM	16.3 MM	16.3 MM	2.5 MM	REPCO
P7475	24.1 MM	19.0 MM	19.0 MM	2.6 MM	REPCO



PART NO	BORE	B	INFO
373023	19.0 MM	8.1 MM	BENDIX
373014	22.2 MM	8.1 MM	BENDIX
373008	25.4 MM	7.9 MM	BENDIX
371024	38.1 MM	11.0 MM	BENDIX

**PLEASE EMAIL FOR DIMENSIONS
AND INFORMATION APPLICABLE
FROM TYPE 22 TO TYPE 35
SEAL PROFILES ETC**