

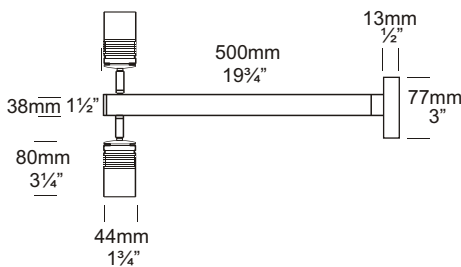
Euro Twin Sign Lite

Cat. No. ETSGNL



The Euro Twin Sign Lite is an extra compact luminaire designed for situations where the fixture needs to be very unobtrusive or concealed. This luminaire has been developed for lighting signs, wall displays, building highlights and external barbeques.

This luminaire has a fully adjustable head allowing 360 degree rotation and 90 degree elevation. Hunza Euro fixtures use miniature MR11 lamps to achieve a contemporary, discreet appearance but are still able to provide excellent illumination.



Ordering Information

Luminaire Type

ETSGNL - Euro Twin Sign Lite

Material/Finish

COP - Copper
SS - 316 Stainless Steel

Accessories

CJK150 - Cable Joint Kit
LENSEURF - Frost Lens

For **LED** options, refer to page 10.4.5 (2 watt MR11) or <http://hunza.co.nz/l.html>



Ordering Example: ETSGNL SS - Euro Twin Sign Lite in 316 Stainless Steel

HUNZA™ PURE OUTDOOR LIGHTING

HUNZA FACTORY
130 Felton Mathew Ave
Glen Innes
Auckland 1072
New Zealand

Ph: 64-9-528 9471
Fax: 64-9-528 9361
hunza@hunza.co.nz
www.hunza.co.nz

INTERNATIONAL CONTACTS:
www.hunza.co.nz/contacts.php

Specifications may change without notice.
Manufactured in New Zealand.
© 2011 Hunza Holdings Ltd.

Ver 1.4

Luminaire Construction

CNC machined from one of the following metals:

Copper 45.4mm rod.

316 Stainless Steel 45.4mm rod.

Poles Copper, 316 Stainless Steel 38mm (1½") x 550mm (21¾") tube.

Mounting

The luminaire is mounted to the wall using two 316 stainless screws through a shallow base 16mm (5/8") in depth. A Wall Box Adaptor Plate (Cat. WBAP) is available as an accessory to fit 3.0 and 4.0 junction boxes for USA/Canada.

Features

Lens:
6mm (¼") clear flush fit shatter resistant glass. Lifetime Warranty.

Gaskets:
Silicone, iron impregnated 220°C (428°F).

Lamp Holder:
GU4 - 350°C (662°F) ceramic multi contact lamp holder with 250°C (480°F) teflon cables.

Accessories:
Cable Joint Kit (Cat. CJK150).
Not approved for USA/Canada.
Frosted Lens (Cat. LENSEURF).

Swivel:
Copper luminaires - 360° rotation and 0 - 90° elevation, solid brass with anti rust spring.

316 Stainless Steel luminaires 360° rotation and 0 - 90° elevation, full stainless steel construction.

Standards

IP66



UL1838

Luminaire Weight

Cop 2.00kg (4lb 6oz)
SS 1.50kg (3lb 3oz)

Power Supply

HUNZA™ Inground or Wall Mount Transformer: not included.

USA and Canada:

HUNZA™ Wall Mount Transformer: not included.

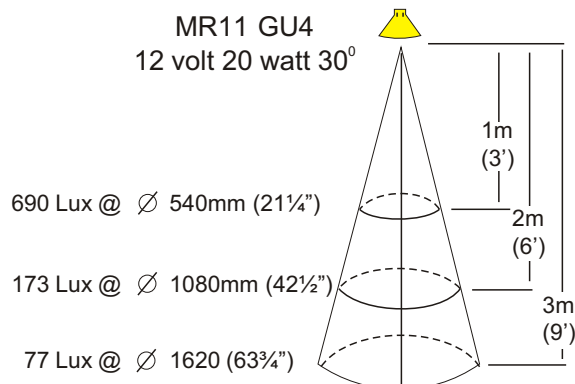
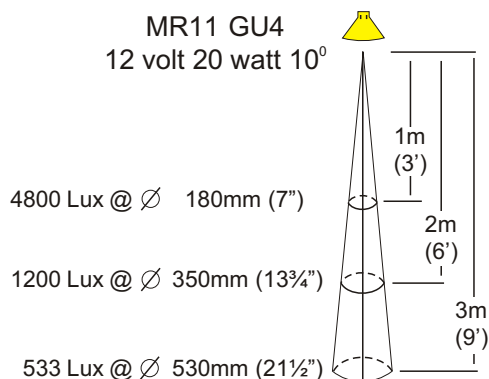
Luminaire: supplied with MR11 GU4 20 watt lamp max.

LED - Refer sheet no. 10.4

USA and Canada:

MR11 GU4 10 watt lamp max.

LED - Refer sheet no. 10.4



HUNZA™ PURE OUTDOOR LIGHTING

HUNZA FACTORY
130 Felton Mathew Ave
Glen Innes
Auckland 1072
New Zealand

Ph: 64-9-528 9471
Fax: 64-9-528 9361
hunza@hunza.co.nz
www.hunza.co.nz

INTERNATIONAL CONTACTS:
www.hunza.co.nz/contacts.php

Specifications may change without notice.
Manufactured in New Zealand.
© 2011 Hunza Holdings Ltd.

Ver 1.4