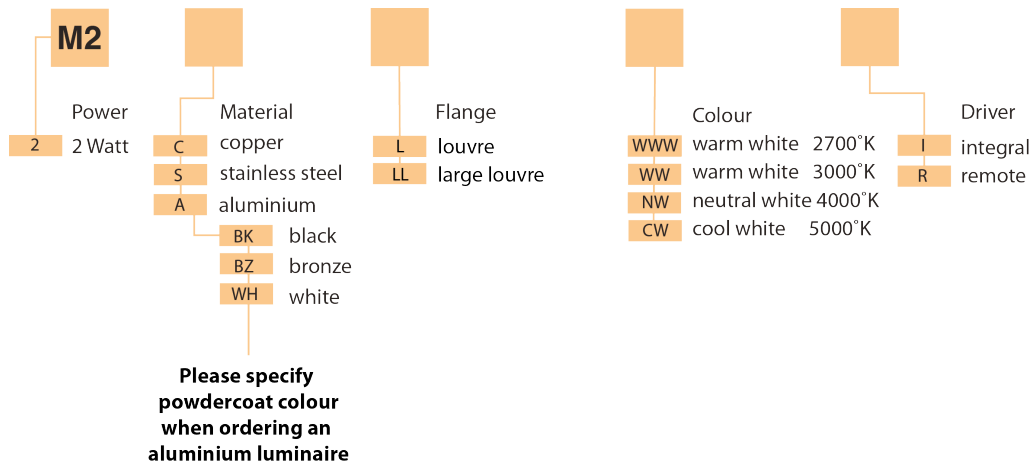
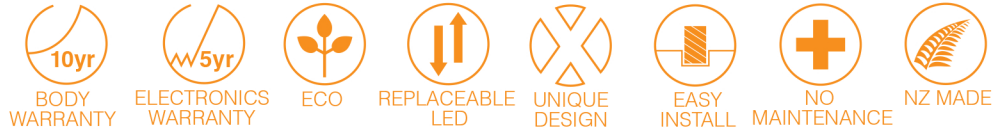




CONFIGURE THIS PRODUCT

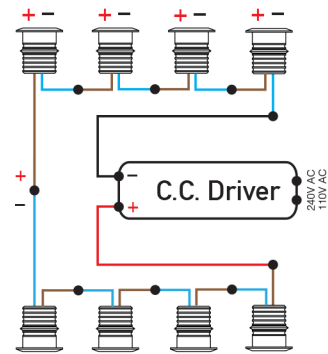


SPECIFICATIONS

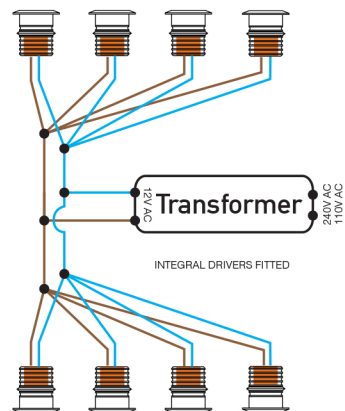
Power	2 Watt
Ingress Protection Rating	IP68
Cable	H05RN - F 1m included
Material	Black/White/Bronze - Powdercoated Natural Copper 316 Stainless Steel
Removable Light Engine	Pin mounted 2W Cree White XTE Chip
Colours	Warm White 2700°K, 3000°K Neutral White 4000°K Cool White 5000°K Red, Green, Blue, Amber
CRI	Ra 82 (90+ CRI Option)
Efficacy	75 lm/W
Input	700mA constant current (Remote) 12V AC (Integral)
Warranty	Electronics Warranty 5 years Body Warranty 5 years/10 years
LEDshield	LED Bypass Shunt



REMOTE DRIVER WIRED IN SERIES



INTEGRAL DRIVER + TRANSFORMER

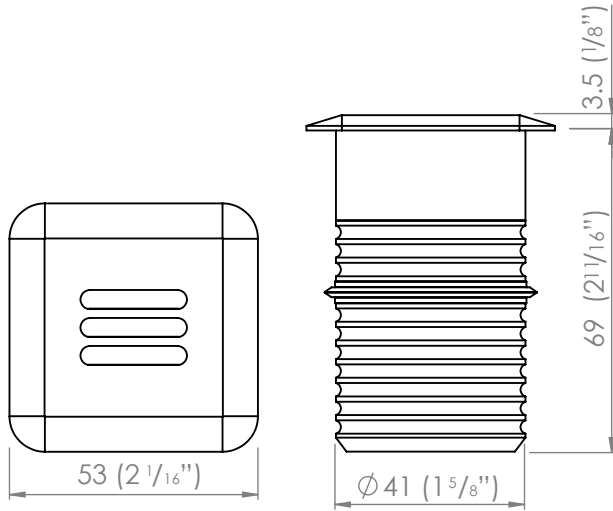


INSTALLATION INSTRUCTIONS

Connect remote driver versions in series.
Connect integral driver versions in parallel.
IP68 connector recommended. Never switch the output of a constant current driver. Driver must be switched off when connecting LED's to prevent damage.

ACCESSORIES: PVC Canister

LOUVRE DIMENSIONS



LARGE LOUVRE DIMENSIONS

