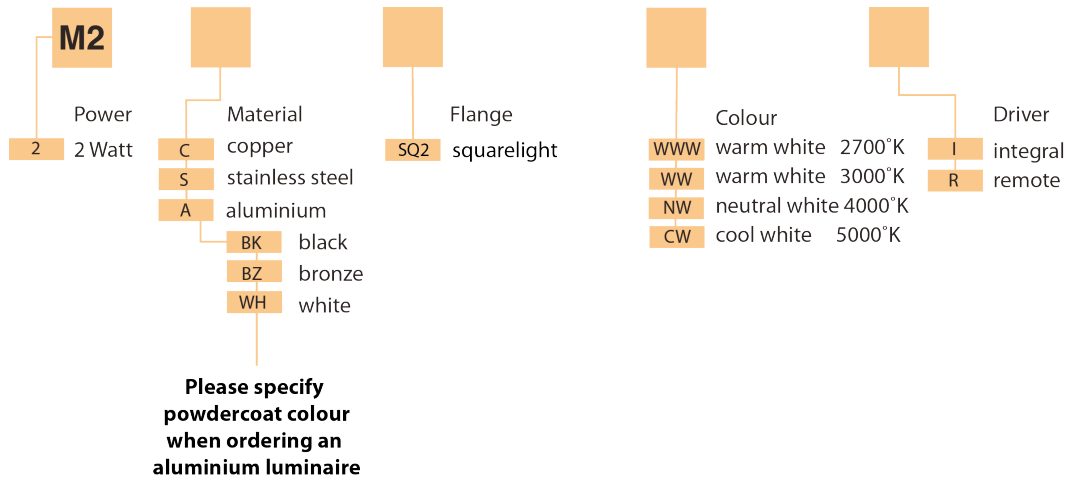
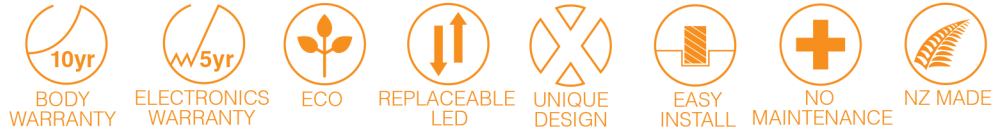




## CONFIGURE THIS PRODUCT

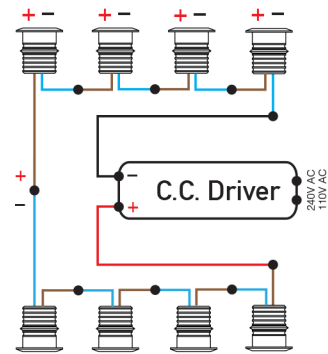


## SPECIFICATIONS

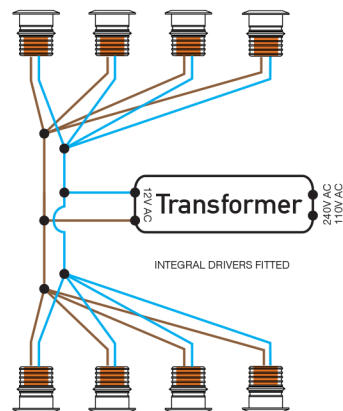
<b>Power</b>	2 Watt
<b>Ingress Protection Rating</b>	IP68
<b>Cable</b>	H05RN - F 1m included
<b>Material</b>	Black/White/Bronze - Powdercoated Natural Copper 316 Stainless Steel
<b>Removable Light Engine</b>	Pin mounted 2W Cree White XTE Chip
<b>Colours</b>	Warm White 2700°K, 3000°K Neutral White 4000°K Cool White 5000°K Red, Green, Blue, Amber
<b>CRI</b>	Ra 82 (90+ CRI Option)
<b>Efficacy</b>	75 lm/W
<b>Input</b>	700mA constant current (Remote) 12V AC (Integral)
<b>Warranty</b>	Electronics Warranty 5 years Body Warranty 5 years/10 years
<b>LEDshield</b>	LED Bypass Shunt



## REMOTE DRIVER WIRED IN SERIES



## INTEGRAL DRIVER + TRANSFORMER



## INSTALLATION INSTRUCTIONS

Connect remote driver versions in series.  
Connect integral driver versions in parallel.  
IP68 connector recommended. Never switch the output of a constant current driver. Driver must be switched off when connecting LED's to prevent damage.

**ACCESSORIES:** PVC Canister

SQUARELIGHT DIMENSIONS

