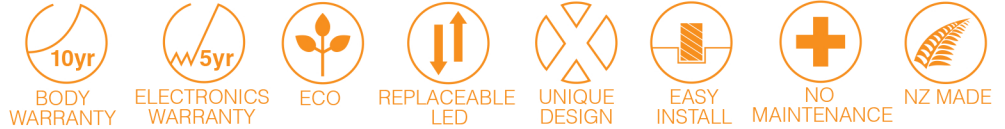




## CONFIGURE THIS PRODUCT



### M2 or M4

<b>Power</b>	<b>Material</b>	<b>Flange</b>	<b>Lens Cover</b>	<b>Beam</b>	<b>Colour</b>	<b>Driver</b>
2 2 Watt 4 4 Watt	B Brass	HNG Hanging Light	C clear F frosted H hexcell	8 8° TIR * 12 12° TIR # 26 26° * # 36 36° # 74 74° * # 15 + 40 oval TIR *	R red * G green * B blue * A amber * WWW warm white 2700°K WW warm white 3000°K NW neutral white 4000°K CW cool white 5000°K	I integral R remote

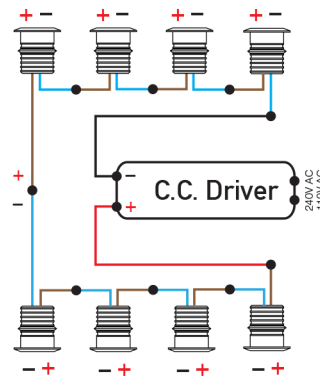
\* Only available as a M2  
# Only available as a M4

## SPECIFICATIONS

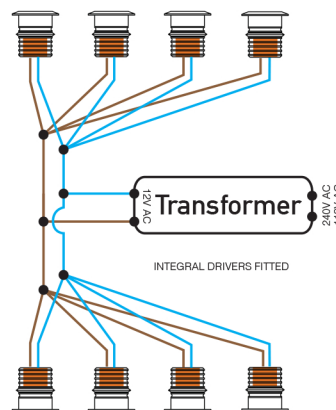


<b>Power</b>	4 Watt
<b>Ingress Protection Rating</b>	IP68
<b>Cable</b>	H05RN - F 1m included
<b>Material</b>	Brass
<b>Hexcell Baffle Insert</b>	Hexcell beam orientation available
<b>Lens Cover</b>	Clear, Frosted Glass
<b>Removable Light Engine</b>	Pin mounted 4W Cree White XTE Chip
<b>Colours</b>	Warm White 2700°K, 3000°K Neutral White 4000°K, 5000°K
<b>CRI</b>	Ra 85 (90+ CRI Option)
<b>Efficacy</b>	100 lm/W
<b>Optic Degrees</b>	12°, 26°, 36°, 74°
<b>Input</b>	700mA constant current (Remote) 12V AC (Integral)
<b>Warranty</b>	Electronics Warranty 5 years Body Warranty 5 years/10 years
<b>LEDshield</b>	LED Bypass Shunt

## REMOTE DRIVER WIRED IN SERIES



## INTEGRAL DRIVER + TRANSFORMER



## INSTALLATION INSTRUCTIONS

Connect remote driver versions in series.  
Connect integral driver versions in parallel.  
IP68 connector recommended. Never switch the output of a constant current driver. Driver must be switched off when connecting LED's to prevent damage.

HANGING LIGHT DIMENSIONS

