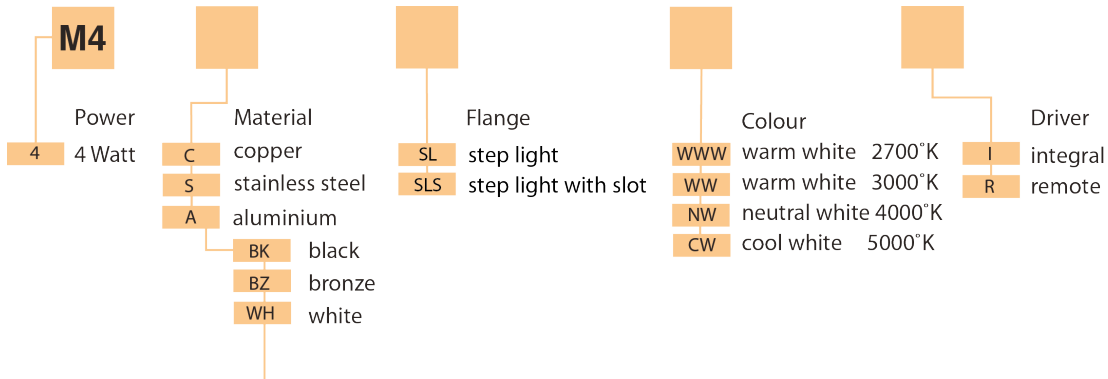
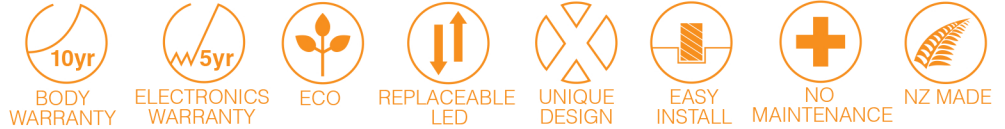




CONFIGURE THIS PRODUCT



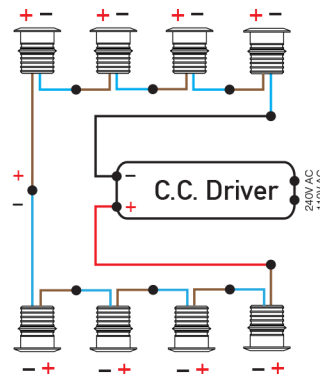
Please specify powdercoat colour when ordering an aluminium luminaire

SPECIFICATIONS

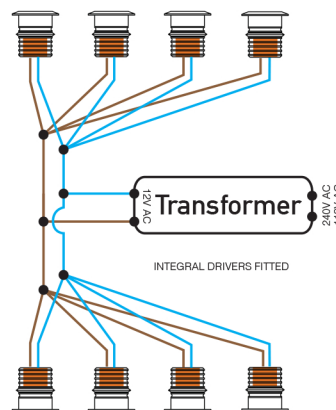
Power	4 Watt
Ingress Protection Rating	IP68
Cable	H05RN - F 1m included
Material	Black/White/Bronze - Powdercoated Natural Copper 316 Stainless Steel
Removable Light Engine	Pin mounted 4W Cree White MTG Chip
Colours	Warm White 2700°K, 3000°K Neutral White 4000°K, 5000°K
CRI	Ra 85 (90+ CRI Option)
Efficacy	100 lm/W
Input	700mA constant current (Remote) 12V AC (Integral)
Warranty	Electronics Warranty 5 years Body Warranty 5 years/10 years
LEDshield	LED Bypass Shunt



REMOTE DRIVER WIRED IN SERIES



INTEGRAL DRIVER + TRANSFORMER



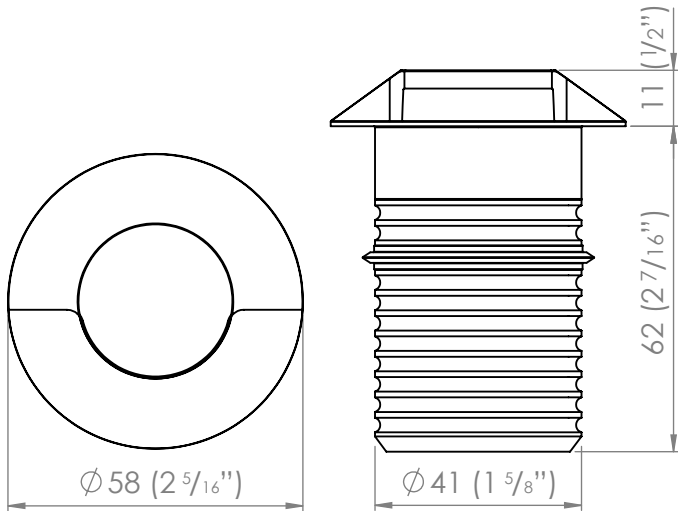
ACCESSORIES

PVC Canister

INSTALLATION INSTRUCTIONS

Connect remote driver versions in series.
Connect integral driver versions in parallel.
IP68 connector recommended. Never switch the output of a constant current driver. Driver must be switched off when connecting LED's to prevent damage.

STEPLIGHT DIMENSIONS



STEPLIGHT WITH SLOT DIMENSIONS

