

Tree Mount Kit

Cat. No. SSP/T

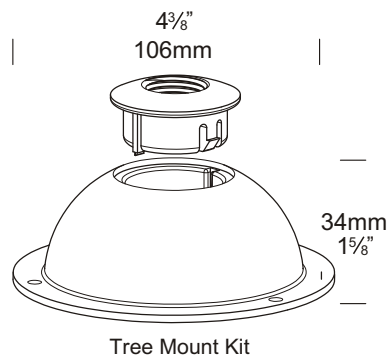
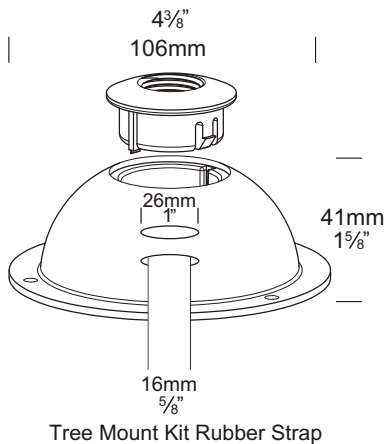
Cat. No. SSP/TRS



The Tree Mount Kit enables an NPS Spot to be mounted onto a tree to create moon lighting effects. A cable connection can be made at the rear of the dome. The Kit consists of a mounting dome and three 316 stainless steel bolts. The bolts initially fix the dome 40mm (1½”) out from the tree’s surface, which allows the tree to grow without causing any harm.

An alternative mounting option is the Tree Mount Kit Rubber Strap. The kit consists of a mounting dome and a one metre adjustable rubber strap, which expands as the tree grows.

Both kits come with a female adaptor for NPS thread.



Tree Mount Kit with a NPS Spot attached.

Ordering Information

Luminaire Type	Material	Accessories
SSP/T - Tree Mount Kit SSP/TRS - Tree Mount Kit Rubber Strap	Black Glass-Filled Polypropylene	CJK150 - Cable Joint Kit
Ordering Example: SSP/T - Tree Mount Kit in Black		
CJK150 - Cable Joint Kit (Accessories ordered separately)		

HUNZA™ PURE
OUTDOOR
LIGHTING

HUNZA FACTORY
130 Felton Mathew Ave
Glen Innes
Auckland 1072
New Zealand

Ph: 64-9-528 9471
Fax: 64-9-528 9361
hunza@hunza.co.nz
www.hunza.co.nz

INTERNATIONAL CONTACTS:
www.hunza.co.nz/contacts.php

Specifications may change without notice.
Manufactured in New Zealand.
© 2011 Hunza Holdings Ltd.

Ver 1.4

Construction

Dome:

Molded from glass-filled polypropylene with snap in ½" NPS female adaptor.

Fixings Supplied:

3 x 95mm (3¾") 316 stainless steel bolts.

3 x 3mm (1/8") 316 stainless steel screws.

Rubber Strap Version:

1 x 1 meter (39") rubber strap.

Width - 16mm (5/8"). A longer strap is available for larger trees.

Mounting

The Tree Mount dome is secured to the tree with 3 x 95mm (3¾") 316 stainless steel bolts. The HUNZA™ NPS spot is screwed into the ½" nps adaptor.

The Tree Mount Rubber Strap dome is secured to the tree with an adjustable rubber strap. The strap is supplied in a one metre length and can be tightened against the tree.

Features

Adaptor:

Female adaptor for NPS thread.

Glass-filled Polypropylene:

Glass-filled Polypropylene, suitable for use with aluminium, copper and 316 stainless steel luminaires.