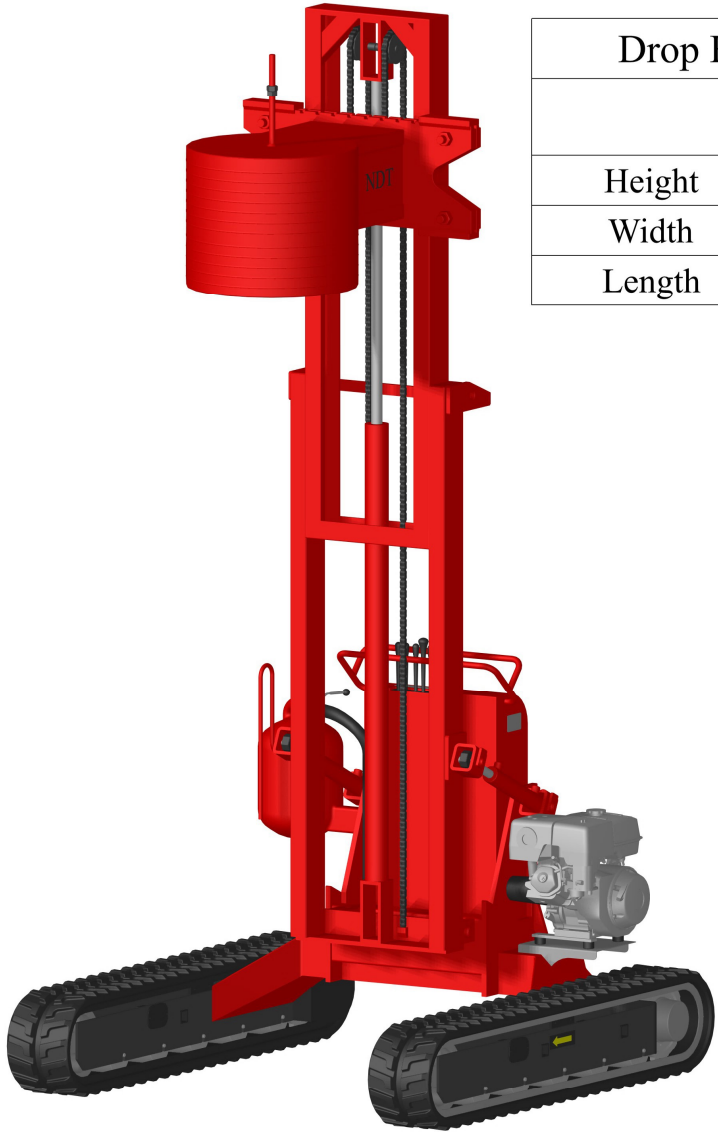
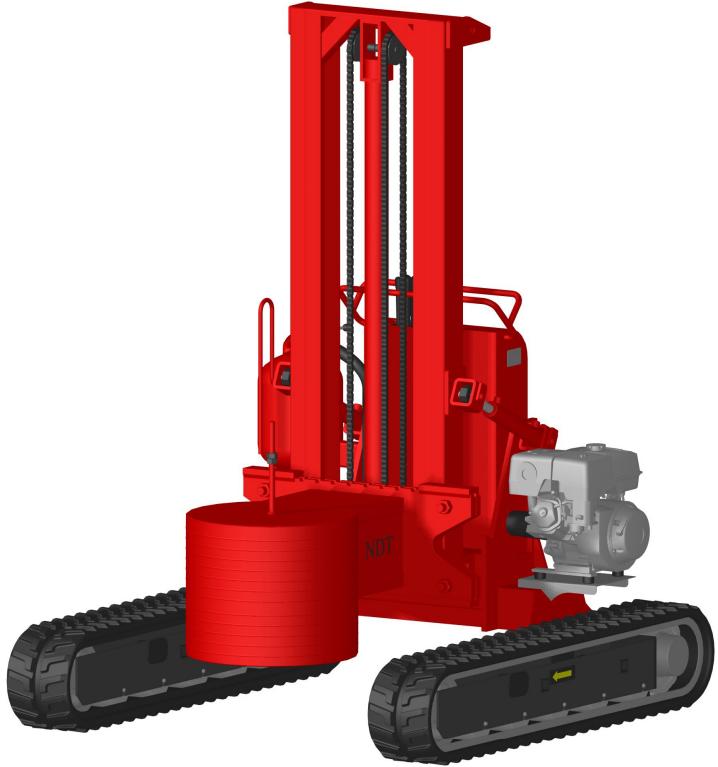


NON DESTRUCTIVE TESTING SERVICES LTD. OWN THE COPYRIGHT OF THIS DRAWING WHICH IS NOT TO BE COPIED, REPRODUCED OR DISCLOSED TO A THIRD PARTY WITHOUT WRITTEN PERMISSION.



Drop Hammer Overall Dimension		
	Working Position	Transportation Position
Height	3800mm	2500mm
Width	1800mm	1800mm
Length	2000mm	2000mm



012

-	-	-	-	-
-	-	-	-	-
-	-	-	-	-
A	10/05/19	DP	AM	JP
REV	DATE	DRN	CHK	APP

Woodland Lodge, Longhedge Lane,
Orston, Nottingham NG13 9PL
Tel: 01949 851820
Mobile: 07860 742479
E-mail: info@ndt-piletesting.com

Non Destructive Testing Services Ltd



an RSK company

Title:	NDT DROP HAMMER (LARGE) OVERALL DIMS
Client:	GENERIC
Drg No.	NDT00056
Sheet 1 of 1	Revision A