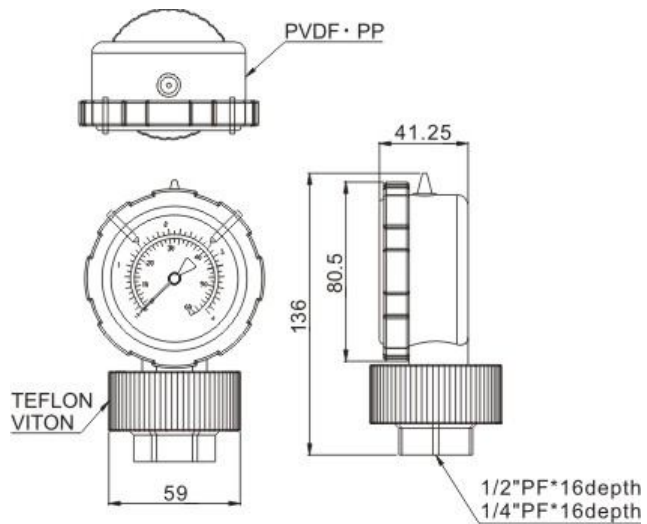




**Safe Gauge Liquid Filled PP Diaphragm Pressure Gauge**

Diameter	2.5" or 63 mm
Pressure Range	5 p s i ~ 7 0 0 p s i 0 . 3 5 k g / c m <sup>2</sup> ~ 5 0 k g / c m <sup>2</sup>
Casing & Bezel	PP
Connection	1 / 4 " P T , 1 / 2 " P T MOUNT
Diaphragm	P P or T E F L O N or P V D F
Capsule	V I T O N or T E F L O N
Accuracy	+/- 1 . 5 % F . S . D
Temperature Range	- 1 0 ° C t o + 8 5 ° C ( P P )



**GS-AC/25**