

# SERIE R8



Commutatore Rotante Radiale  
 con 2-3-4-5-6-7-8 posizioni a 45°  
 250V. 6A  
 Temperatura: T 65-120°C  
 Fissaggio: A vite  
 Terminali: In Rame a saldare  
 4,8x0,8 - Per C.S. 2,8x0,8



Rotary Switch With 2-3-4-5-6-7-8  
 Positions 45°  
 250V. 6A  
 Temperature: T 65-120°C  
 Fixing: Screw  
 Terminals: Cooper Solder Type  
 4,8x0,8 - for Printed Circuit 2,8x0,8



R8CS



CHROME 18mm



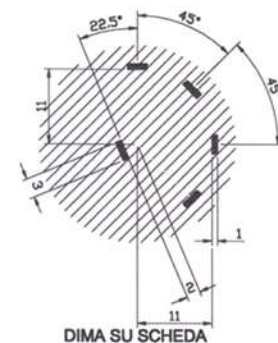
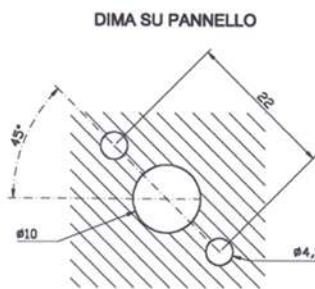
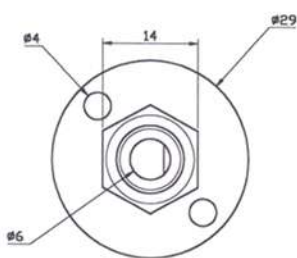
CHROME



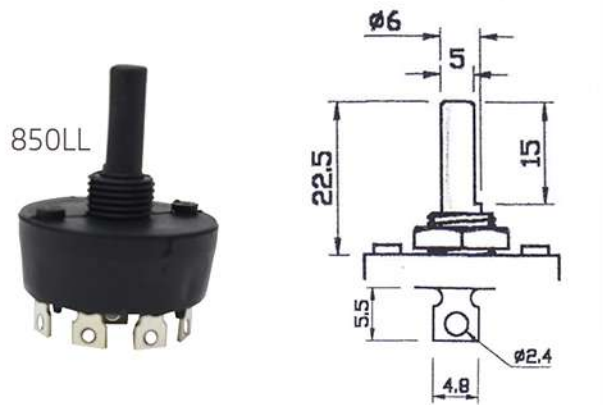
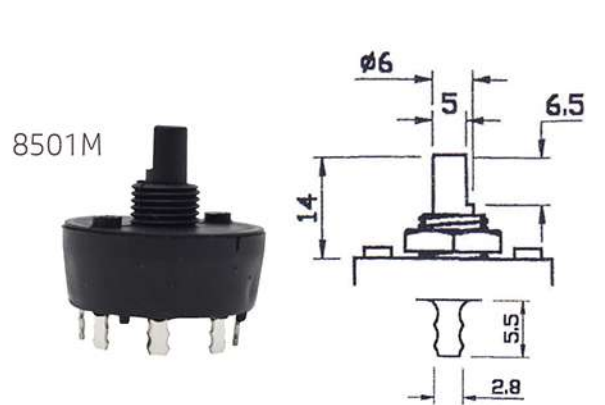
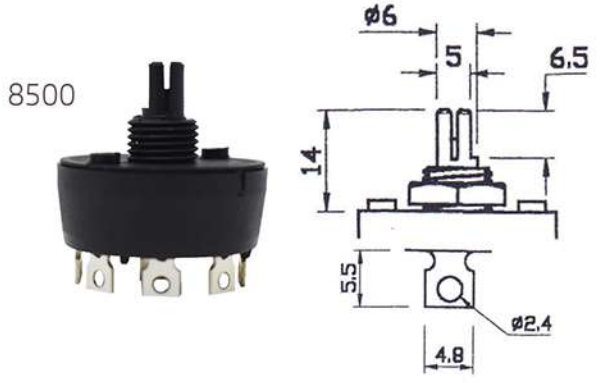
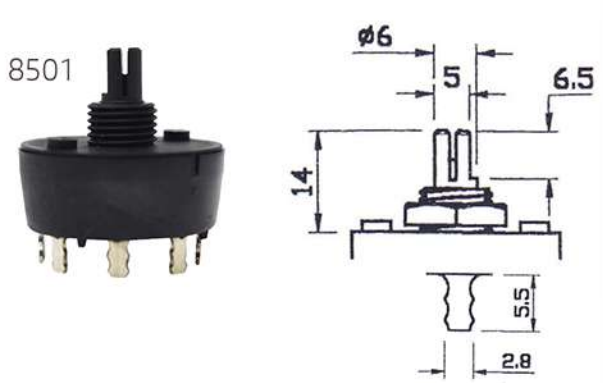
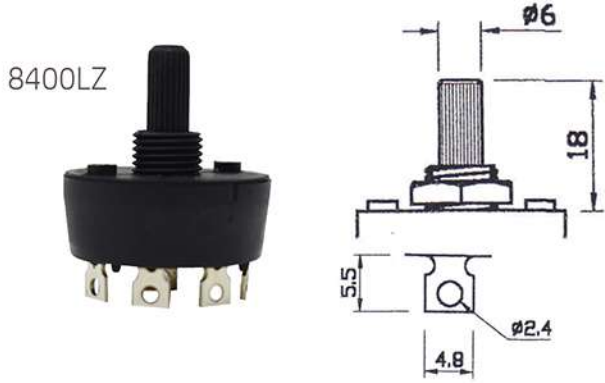
CHROME 34mm



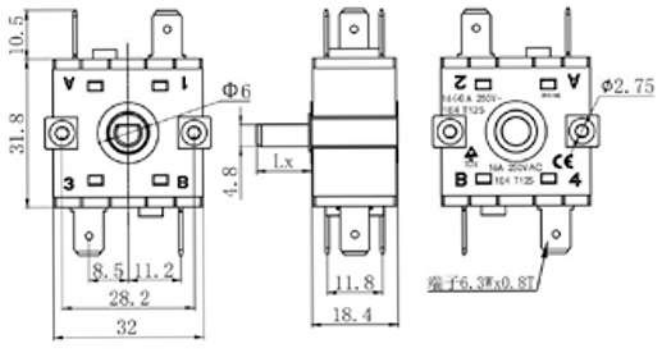
MINI BLACK



# Interruttori Rotativi e Timer



**NEW**



CODE	FUNCTION	CAP COLOUR	BODY COLOUR	VOLTAGE
R8.2	ON-OFF 2 POSITIONS	TN BLACK	CN BLACK	230 V
R8.3	ON-OFF 3 POSITIONS			
R8.4	ON-OFF 4 POSITIONS			
R8.5	ON-OFF 5 POSITIONS			
R8.6	ON-OFF 6 POSITIONS			
R8.7	ON-OFF 7 POSITIONS			
R8.8	ON-OFF 8 POSITIONS			
DIFFERENT SIZES FOR THE PIN				