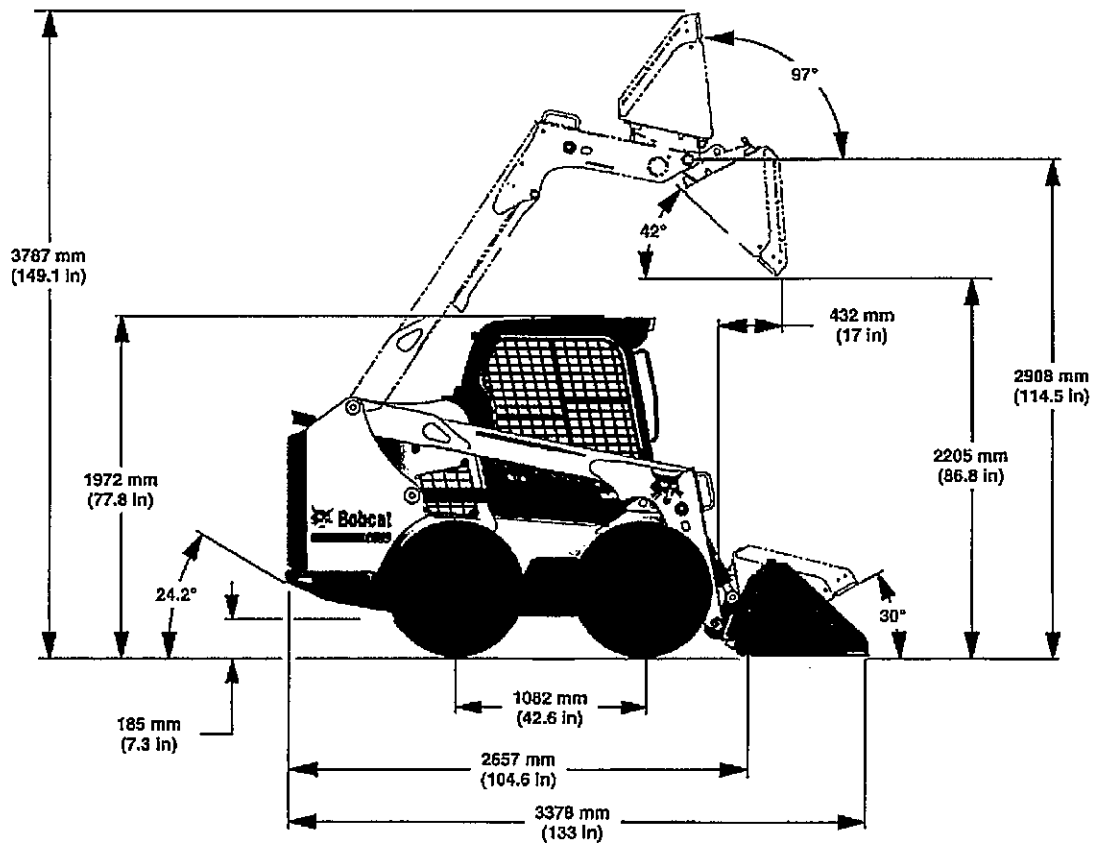
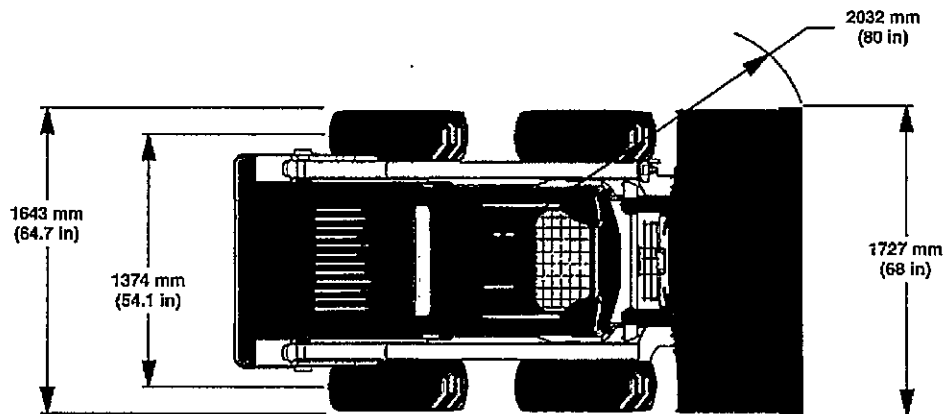


## (S550) LOADER SPECIFICATIONS

### Machine Dimensions

- Dimensions are given for loader equipped with standard tires and 68 in. Construction and Industrial bucket and may vary with other bucket types.
- Where applicable, specifications conform to SAE or ISO standards and are subject to change without notice.



NA5796

Changes of structure or weight distribution of the loader can cause changes in control and steering response, and can cause failure of the loader parts.