

ULTRA-MINI EXCAVATOR

SV08

Lifting capacity

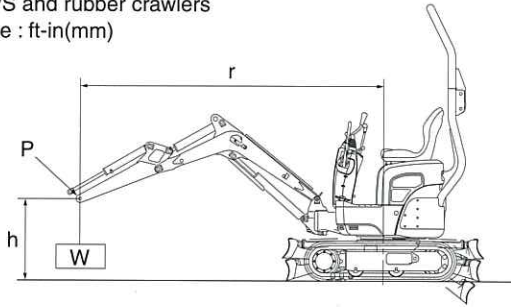
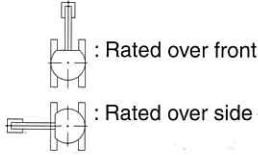
Excavator equipped with ROPS and rubber crawlers

r: Reach from swing center line : ft-in(mm)

h: Lift point height : ft-in(mm)

w: Lifting capacity : lbs(kg)

P: Load point



- The rated lifting capacities that are indicated below are based on ISO 10567 and do not exceed 87% of the excavator's hydraulic lifting capacity or 75% of its static tilt load (tipping load) capacity.
- The following operating criteria are also applicable to the calculation of these maximum loads;
 - The "load point" is the location of the front bolt on the arm.
 - The three indicated machine positions are :
 - arm over the front end (blade down),
 - arm over the front end (blade up), and
 - arm over the side (blade up).
 - The operating cylinder is the boom cylinder.
- The weight of the excavator's bucket, hook, sling and other lifting accessories have been taken into consideration when calculating these maximum loads.

SV08-1

LIFT POINT HEIGHT h:ft-in (mm)	r:REACH ft-in (mm)				r:REACH ft-in (mm)				r:REACH ft-in (mm)			
	RATED LIFT CAPACITY OVER FRONT BLADE DOWN lbs (kg)				RATED LIFT CAPACITY OVER FRONT BLADE UP lbs (kg)				RATED LIFT CAPACITY OVER SIDE BLADE DOWN lbs (kg)			
	MAX	6'7" (2000)	4'11" (1500)	MIN	MAX	6'7" (2000)	4'11" (1500)	MIN	MAX	6'7" (2000)	4'11" (1500)	MIN
6'7"(2000)	*485(220)				419(190)				353(160)			
4'11"(1500)	*485(220)	*485(220)	*595(270)		331(150)	375(170)	*529(240)		265(120)	331(150)	441(200)	
3'3"(1000)	*507(230)	*573(260)	*772(350)	*1080(490)	287(130)	375(170)	617(280)	838(380)	243(110)	309(140)	507(230)	662(300)
1'8"(500)	*529(240)	*662(300)	*1036(470)	*1301(590)	287(130)	375(170)	573(260)	706(320)	221(100)	287(130)	463(210)	573(260)
Ground(0)	*529(240)	*706(320)	*1058(480)	*1389(630)	309(140)	375(170)	573(260)	750(340)	243(110)	287(130)	463(210)	595(270)
-1'8"(-500)	*573(260)	*617(280)	*948(430)		375(170)	353(160)	595(270)		287(130)	287(130)	463(210)	
-3'3"(-1000)	*507(230)				*507(230)				*463(210)			

Note : The maximum loads marked with an asterisk (*) were limited by the Excavator's hydraulic lifting capacity rather than by its static tilt load (tipping load) capacity.

Standard equipment

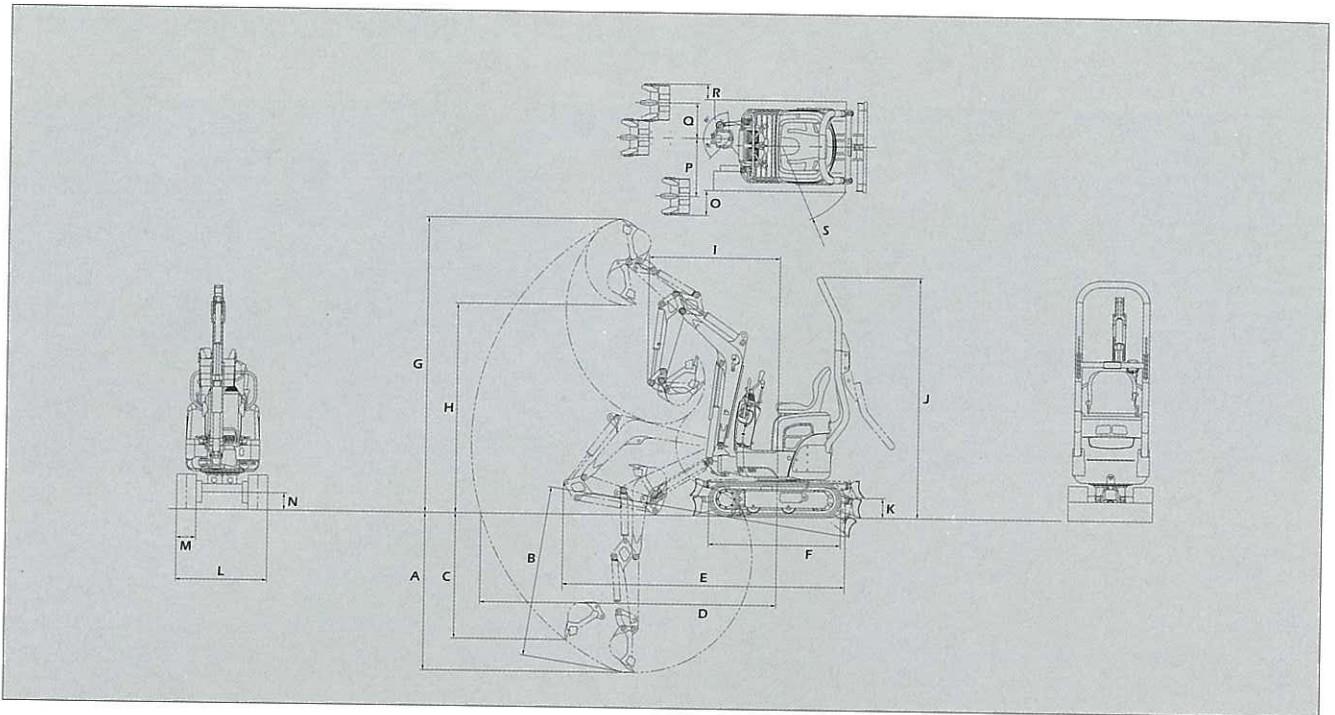
- Blade
- Boom swing function
- Rubber tracks
- Variable undercarriage
- Auxiliary valve and piping (boom end)
- Double acting PTO
- 2way control pattern change
- Cylinder cover (boom, blade)
- Foldable ROPS
- Standard seat
- Seat belt
- Operation manual

(Please note that the standard equipment may vary from this list. Consult your Yanmar dealer for confirmation)

YANMAR AMERICA CORP.

CONSTRUCTION EQUIPMENT DEPT.
101 International Parkway, Adairsville, GA 30103, U.S.A.
TEL:770-877-7570 FAX:770-877-7572
<http://www.yanmar.com>

Note : All information presented in this Brochure is subject to change without notice.



Dimensions

	A	B	C	D	E	F	G	H	I	J
ft-in	47"-411"	5'-54"	3'10"-4'2"	8'10"-8'11"	8'6"	4'	9'-94"	6'5"-6'9"	3'10"	7'3"-7'7"
mm	1400-1500	1520-1620	1160-1260	2700-2730	2600	1220	2750-2850	1950-2050	1180	2200-2300

	K	L	M	N	O	P	Q	R	S
ft-in	7"-11"	2'3"-2'9"	7"	5"-9"	9"-1'	1'9"	1'1"	6"-9"	2'5"
mm	180-280	680-840	180	130-230	230-310	540	330	140-220	725

Specifications

Model	SV08-1		
Operating weight	Rubber track	lbs(kg)	2348(1065)
Engine	Type		Water cooled 2-cylinder diesel
	Model		2TE 67L-BV
	Output	hp(kW)/RPM	10.3(7.7)/2400
Performance	Max. digging force, bucket/arm	lbs(kN)	2360(10.5)/1390(6.2)
	Traveling speed	MPH(km/h)	1.1(1.8)
	Swing speed	RPM	9
	Boom swing angle (L/R)	degrees	45°/90°
Ground contact pressure	Rubber track	PSI(kPa)	4.17(28.7)
Hydraulic system	Pump capacity	GPM	2.7+2.7
		(L/min)	(10.3+10.3)
	Main relief set pressure	PSI(MPa)	2625(18.1)
Blade dimensions	Width × height	ft-in(mm)	23'7"2'9" × 7"(680/840×180)
Fuel tank capacity		Gals(L)	2.6(10)

Hydraulic P.T.O.

Model	SV08-1		
Specification	Output	PSI(MPa)	GPM(L/min)
			2400RPM
Combined flow, double actions		2625(18.1)	5.2(19.6)