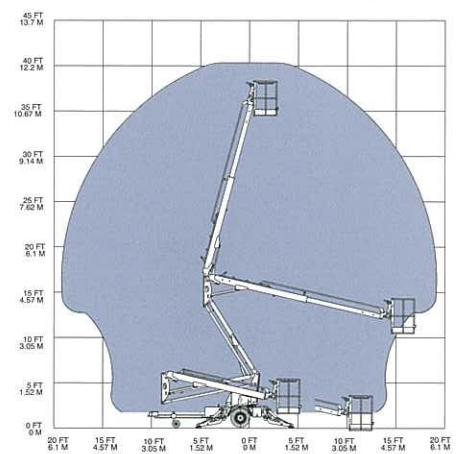


## Specifications

### MODEL TZ-34/20

MEASUREMENTS	Metric	Imperial
Working height*	12.36 m	40 ft
Platform height	10.36 m	34 ft
Entry height - extended	16 cm	6.4 in
Outreach - working	6.1 m	20 ft
Outrigger footprint - length	3.27 m	10 ft 9 in
Outrigger footprint - width	3.6 m	11 ft 10 in
Levelling capability - hydraulic outriggers	11°	11°
Lift capacity	200 kg	440 lb
Platform rotation option - AUST -(1 Person)	181 kg	398 lb
<b>A</b> Height - stowed	1.94 m	76.5 in
<b>B</b> Length - stowed	5.08 m	16 ft 8 in
<b>C</b> Width	1.45 m	4 ft 9.1 in
<b>D</b> Ground clearance	24 cm	9.5 in
<b>E</b> Platform length	68 cm	26.8 in
<b>F</b> Platform width	1.12 m	44 in

### RANGE OF MOTION



### PRODUCTIVITY

Turntable rotation	359° non-continuous	
Towing speed rating	97 km/h	60 mph
Tongue weight - ANSI, CSA	143 kg	315 lb
Tyre size	ST 205x75 R14	ST 205x75 R14
Surge brakes	standard	standard
Parking brake	standard	standard

### POWER

Power source	24V DC
AC wiring to platform	standard

### WEIGHT

Machine weight**	1,450 kg	3,197 lb°
------------------	----------	-----------

### STANDARDS COMPLIANCE

	ANSI A92.2 CAN/CSA-C225-00 AS1418.10
--	--

\*The metric equivalent of working height adds 2 m to platform height. U.S. adds 6 ft to platform height.

\*\*Weight will vary depending on options and/or country standards.