

CITYSCAPE REVOLUTION

REVOLUTIONARY DESIGN. UNPRECEDENTED FUNCTIONALITY. SOPHISTICATED STYLE.



"Smart, elegant design that is built to last!"

Alspec CityScape Revolution

The CityScape aluminium shutter collection is a perfect solution to enhance your living areas to seamlessly blend your indoor and outdoor spaces. Combining core elements of design, strength and flexibility, the CityScape aluminium shutters enable alfresco living all year round. By providing the right mix of light, airflow and temperature control, this opening solution allows you to maximise your lifestyle and enhance the aesthetic nature of your home.



Take control of the light, airflow and temperature of your home thanks to CityScape.

Alspec's latest evolution of our CityScape aluminium shutter range has been built on the back of our extensive pedigree as Australia's leading designer of sophisticated aluminium systems. With a design that incorporates an outstanding modern shutter look, improved functionality as well as enhanced strength and rigidity with the use of structural alloys, the CityScape shutter is the perfect solution for internal and external operable shutters.

Reduced Fabrication Time

The new CityScape suite has been designed to eliminate waste through improvements in fabrication and assembly time. This has been achieved through:

- Simple square cuts on frames
- Prepunched powder coated stiles
- Inclusion of calculation tables to improve quotation time
- New spring loaded, UV stabilised glass filled nylon end caps with stainless steel pins
- Modified screw flutes reduce "snap offs" and head stripping
- Accommodates a range of Alspec hardware for use in multiple applications

Environmentally Friendly

- 100% Recyclable Aluminium
- CityScape Shutters reduce direct sunlight and heat transfer
- Adjustable blades maximise natural ventilation

Elegant Smart Design

- Fixed, Hinged, Bi-Fold, Sliding Options
- Flexible fitting options to exceed market requirements
- Available in both powder coated and timber grain finishes
- Improved functional design improves fabrication time and eliminates waste
- Insect screen options available

Built to Last

- Aluminium will not rust, rot, crack or perish under Australia's harsh conditions
- New frame design improves strength and rigidity
- Long Life Stainless Steel Hardware used throughout

Call 1300 ALSPEC (257732)

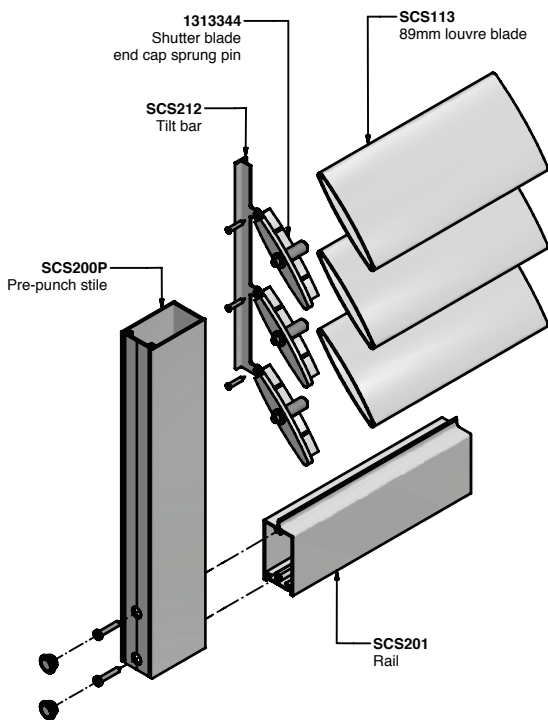
alspec.com.au

alspec
ALUMINIUM SYSTEMS
SPECIALISTS

Unprecedented Functionality

Alspeg's R&D teams have worked closely with many manufacturers to establish a market leading design that balances both form and function.

- Centralised rail fin enables full blade rotation in either direction
- New tilt bar design blocks light penetration
- Inclusion of the variable rail enhances the panel size configuration options to fit all openings
- Punched and powder coated stiles improve corrosion resistance and eliminate noisy shutters
- Huge range of accessories including fly screen adaptors
- Wide range of fitting options:
 - Fixed Panels
 - Hinged
 - Bi-Fold
 - Sliding (Top hung and Bottom rolling)



CITYSCAPE	
FIXED PANELS	
MAXIMUM HEIGHT	3000mm
MAXIMUM WIDTH	1000mm
BI-FOLD PANELS	
MAXIMUM HEIGHT	2400mm
MAXIMUM WIDTH	900mm
MAXIMUM PANEL WEIGHT	25kg
SLIDING PANELS	
MAXIMUM HEIGHT	3000mm
MAXIMUM WIDTH	1000mm
MAXIMUM PANEL WEIGHT	40kg

Refer for maximum panel height and width. Sizes must be checked against wind loading tables for suitability.

Call 1300 ALSPEC (257732)

alspec.com.au

alspec
ALUMINIUM SYSTEMS
SPECIALISTS

FEB 2017