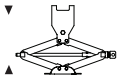
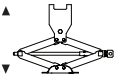

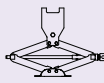
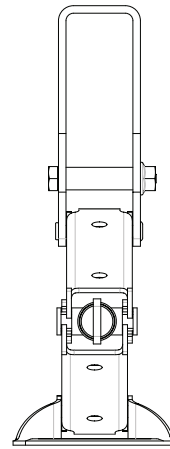
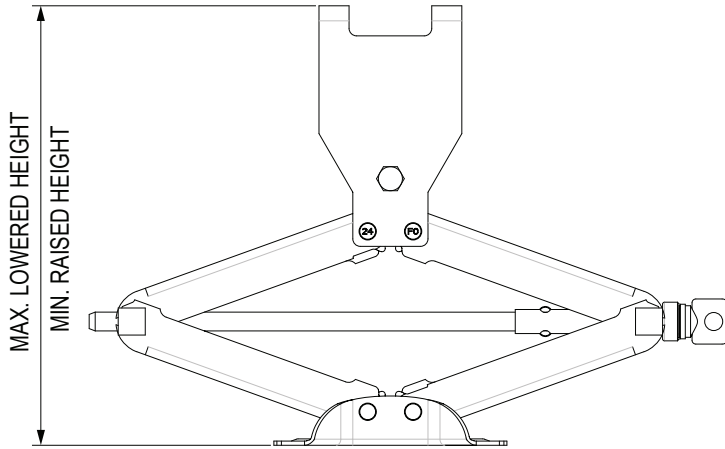
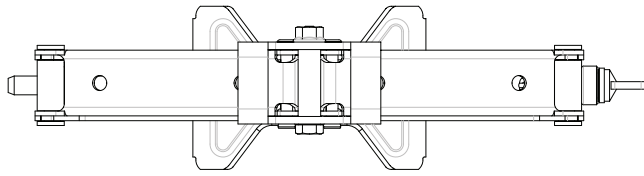
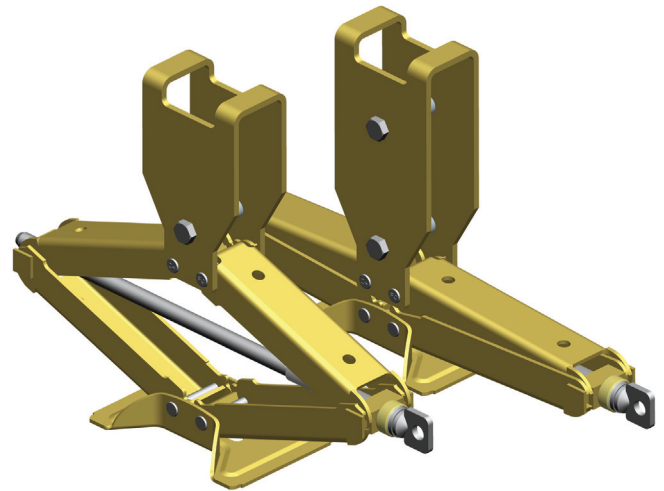
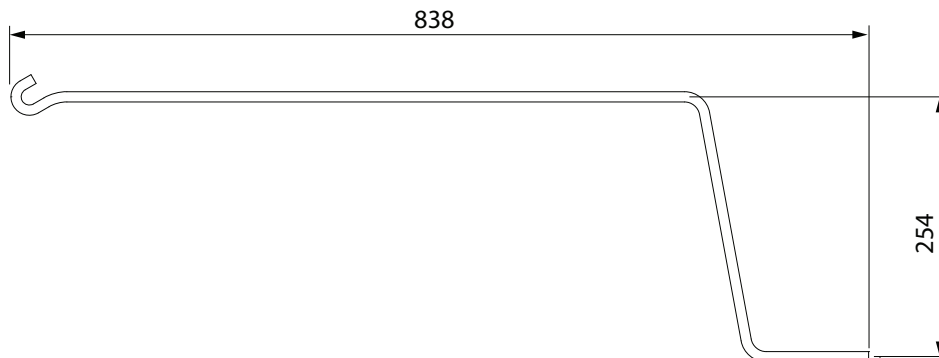


PANTOGRAPH JACK			Dimensions in mm
Max. Lowered Height ▼ 	Min. Raised Height ▲ 	Capacity 	Model 
200	500	1500	150AMCL
200	590	1500	150AMCH



PANTOGRAPH JACK



JACK HANDLE